

Technical specification:

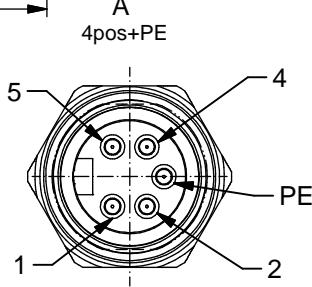
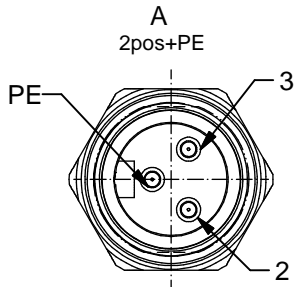
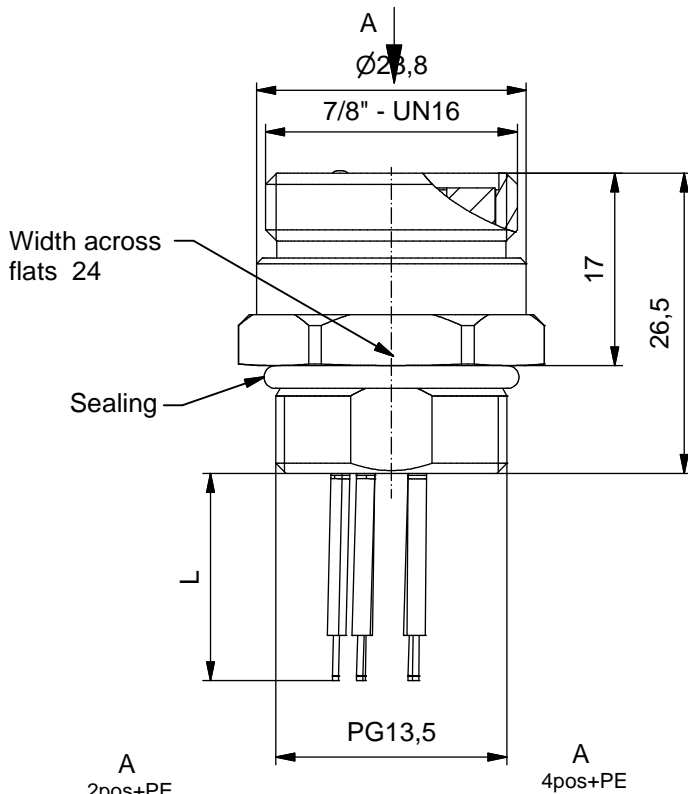
Rated voltage: IEC 60664-1	2PE 4PE 300 V 300V
Oversvoltage category: IEC 60664-1	2
Oversvoltage: IEC 60664-1	2,7 kV
Current rating: IEC 60664-1	2PE 4PE 16 A 16 A
Insulation resistance: IEC 60512	>=100 MΩ
Pollution degree: IEC 60664-1	3/2
Degree of protection: IEC 60529	IP 67, in mated condition
Temperature range: EN 60512-11-10 EN 60512-11-4	-30°C ... +85°C -40°C -40°C ... +85°C
Mating cycles: IEC 60512-9a	>=100
Termination:	crimped

Wire specification:

Temperatur range static	-30°C ... +105°C
flexibel	-10°C ... +105°C

Materials:

Contact:	CuZn, Ni b / Au 0,2 gal.
Contact carrier:	TPU, UL 94 HB
Sealing:	FPM
Socket housing:	CuZn, nickel plated
Grouting:	Polyurethane-resin, UL 94

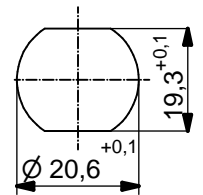
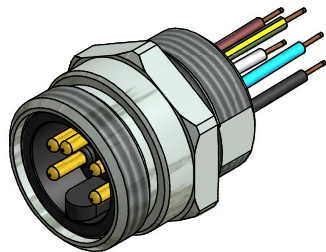


Contact assignment:

- PE ■ green-yellow
- 2 ■ brown
- 3 ■ blue

Contact assignment:

- 1 ■ black
- 2 ■ blue
- PE ■ green-yellow
- 4 ■ brown
- 5 ■ white



Minimum wall thickness
2,5mm, alternativ panel
cut-out d=20,6

Part no:	Description:	Pos	Length L:	Wire:
41-40119	SAL - 7/8 - FS2PE - 0,5 / 250	3	0,5m	AWG 14 PVC, UL
41-40120	SAL - 7/8 - FS4PE - 0,5 / 250	5	0,5m	

DO NOT ALTER CAD DRAWING BY HAND RoHS & REACH compliant	dim. in mm	title: Male socket 7/8" with wires, frontmounting								
	<table border="1" style="font-size: 8px;"> <tr> <td></td> <td>date</td> <td>name</td> </tr> <tr> <td>drawn</td> <td>09.06.15</td> <td>Böckeler</td> </tr> <tr> <td>appd.</td> <td>09.06.15</td> <td>Mankopf</td> </tr> </table>					date	name	drawn	09.06.15	Böckeler
		date	name							
	drawn	09.06.15	Böckeler							
appd.	09.06.15	Mankopf								
tolerance of wire: L ≤ 0,5m: L + 20mm L > 0,5m: L + 4%	dwg no: 41K1A568									
general tolerance: 0 ± 0,50mm 0,0 ± 0,25mm 0,00 ± 0,10mm * ± 1,5°										
THIS DRAWING MAY NOT BE COPIED OR REPRODUCED IN ANY WAY, AND MAY NOT BE PASSED ON TO A THIRD PARTY WITHOUT WRITTEN PERMISSION. OWNERSHIP AND COPYRIGHT OF CONEC GmbH	part no: see table									

X-ON Electronics

Largest Supplier of Electrical and Electronic Components

Click to view similar products for [Circular Metric Connectors](#) category:

Click to view products by [CONEC](#) manufacturer:

Other Similar products are found below :

[600X518037X](#) [6STD15PCR99B70A](#) [8R4000A16M020](#) [8R5000A16M005](#) [1200910002](#) [1203580030](#) [1200910008](#) [1200910011](#) [1300140094](#)
[130203-0054](#) [1300140026](#) [1300150099](#) [RF-12S1N8A90DU](#) [1-3637-600-5205](#) [1612618](#) [21036836414](#) [8R4006A16M010](#) [8R5006A18A120](#)
[1604232](#) [1R3006A20M005](#) [RF-12P1N8A80DU](#) [RF-12P1N8A90DU](#) [41-40011](#) [42-01015](#) [4-22279-4](#) [4-22281-1](#) [4-22284-9](#) [43-01088](#) [43-](#)
[01203](#) [41-40013](#) [42-00008](#) [43-00343](#) [43-01032](#) [43-01162](#) [43-10000](#) [600X518050X](#) [SACC-DSI-FS-5P-PG9-L180 SC](#) [8R5006A16M020](#)
[8R5006A16M005](#) [8R4000A16M010](#) [6-22279-3](#) [1605332](#) [N03FA03144](#) [1300140077](#) [43-01338](#) [XS2RD4265](#) [RSC 4/9](#) [XS2R-D426-1](#)
[XS8A-0441](#) [859RD04-103R004](#)