

Technical specification:

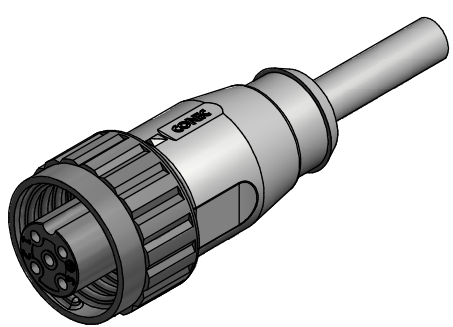
Rated voltage: IEC 60664-1	300 V
Current rating: IEC 60512-3	13 A at 40°C
Insulation resistance: IEC 60512	≥100 MΩ
Pollution degree: IEC 60664-1	3/2
Degree of protection: IEC 60529	IP 67, in mated condition
Temperature range:	-25°C ... +80°C
Mating cycles: IEC 60512-9a	≥100

Materials:

Contact:	CuZn
Contact plating:	Nickel, silver plated
Contact carrier:	PA GF, UL 94
Sealing:	FPM
Coupling nut:	PA GF, UL 94
Moulding body:	TPU, UL 94, grey

Contact assignment:

- 1) brown
- 2) blue
- 3) black
- PE) green-yellow



Part no:	Description:	Length L:	Cable:
41-51000	SAL - 24 - RK3PE - 2 / A3	2m	PVC, UL 2464, grey, 4x1,5mm ² Cable: 781-A38400
41-51001	SAL - 24 - RK3PE - 3 / A3	3m	
41-51002	SAL - 24 - RK3PE - 5 / A3	5m	
41-51003	SAL - 24 - RK3PE - 10 / A3	10m	
41-xxxxx	SAL - 24 - RK3PE - ... / A3	x	

D see data sheet cable

DO NOT ALTER CAD DRAWING BY HAND Directive 2011/65/EU RoHS compliant	Index: c 03.03.14 rbo Ä5117 technical specification changed, Temperature range was -40°... +80°	dim. in mm	title: Female connector RD24 axial										
	tolerance of cable: L ≤ 4m: L + 40mm L > 4m: L + 1%	<table border="1" style="width: 100%; border-collapse: collapse;"> <tr> <td style="width: 30%;"></td> <td style="width: 30%; text-align: center;">date</td> <td style="width: 40%; text-align: center;">name</td> </tr> <tr> <td>drawn</td> <td style="text-align: center;">19.10.07</td> <td style="text-align: center;">Mankopf</td> </tr> <tr> <td>appd.</td> <td style="text-align: center;">19.10.07</td> <td style="text-align: center;">Franz</td> </tr> </table>				date	name	drawn	19.10.07	Mankopf	appd.	19.10.07	Franz
		date	name										
	drawn	19.10.07	Mankopf										
appd.	19.10.07	Franz											
general tolerance: 0 ± 0,50mm 0,0 ± 0,25mm 0,00 ± 0,10mm			41K1A331										
THIS DRAWING MAY NOT BE COPIED OR REPRODUCED IN ANY WAY, AND MAY NOT BE PASSED ON TO A THIRD PARTY WITHOUT WRITTEN PERMISSION. OWNERSHIP AND COPYRIGHT OF CONEC GmbH			part no:										

X-ON Electronics

Largest Supplier of Electrical and Electronic Components

Click to view similar products for [Sensor Cables / Actuator Cables](#) category:

Click to view products by [CONEC](#) manufacturer:

Other Similar products are found below :

[60963](#) [60964](#) [703000D02F2002](#) [703000D02F300](#) [703001D02F0602](#) [703001D02F1201](#) [703001D02F300](#) [704000D02F120](#) [773032K02F030](#)
[802027107404-1](#) [802027213811-1](#) [804001A09M150](#) [805001A09M0502](#) [84914-0235](#) [84914-0237](#) [885030A09M020](#) [1200651332](#)
[1200651713](#) [1200660844](#) [1200660845](#) [1200661173](#) [1200680071](#) [1200720053](#) [1200720081](#) [1200720099](#) [1200720217](#) [1200800231](#)
[1200860125](#) [1200870123](#) [1200980102](#) [1200650267](#) [1200650298](#) [1200660183](#) [1200660782](#) [1200660849](#) [1200661295](#) [1200661297](#)
[1200661342](#) [1200661343](#) [1200670080](#) [1200670220](#) [1200680331](#) [1200720252](#) [1200720255](#) [1200730184](#) [1200860344](#) [1200870359](#)
[1200870643](#) [1200980008](#) [1200980031](#)