

Technical specification:

Rated voltage: 3pos 4pos
IEC 61076-2-104 60 V 30 V

Current rating: 3/4 pos
IEC 61076-2-104 3 A at 40°C

Insulation resistance: >=100 MΩ
IEC 60512

Pollution degree: 3/2
IEC 60664-1

Degree of protection: IP 67, in mated condition
IEC 60529

Temperature range: -30°C ... +80°C

Mating cycles: >=100
IEC 60512-9a

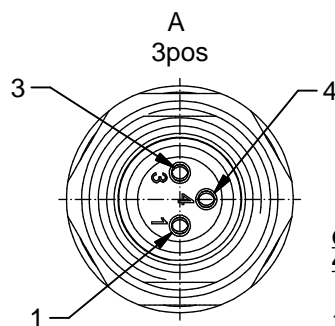
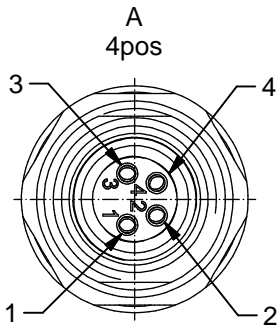
Materials:

Contact: CuZn
Contact plating: Nickel, gold plated
Contact carrier: PA6, UL 94
Sealing: FPM
Conternut: CuZn, nickel plated
Socket housing: CuZn, nickel plated
Grouting: Polyurethane-resin, UL 94

Installation specification:

Recommended torque: 0,6 - 0,8 Nm

Conec installation tool: Torque wrench: 36-000200
Insert across flats 14: 36-000370

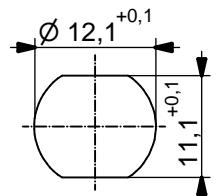


Contact assignment 4pos:

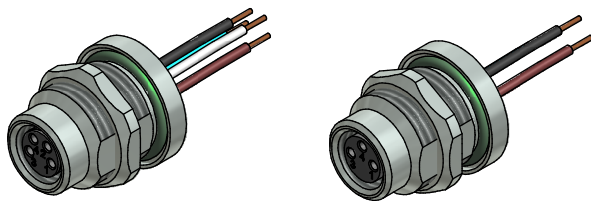
- 1) brown
- 2) white
- 3) blue
- 4) black

Contact assignment 3pos:

- 1) brown
- 3) blue
- 4) black



Minimum wall thickness 1,5mm, alternativ panel cut-out d=12,1



Part no:	Description:	Pos	Length L:	Wire:
42-01148	SAL - 8 - FKH4 - 0,2	4	0,2m	AWG 24 PVC, UL
42-xxxxx	SAL - 8 - FKH4 - ...	4	x	
42-01147	SAL - 8 - FKH3 - 0,2	3	0,2m	AWG 24 PVC, UL
42-xxxxx	SAL - 8 - FKH3 - ...	3	x	

DO NOT ALTER CAD DRAWING BY HAND Directive 2011/65/EU RoHS compliant		dim. in mm	title: Female socket M8x1 with wire, backmounting								
		<table border="1" style="font-size: 8px;"> <tr> <td></td> <td>date</td> <td>name</td> </tr> <tr> <td>drawn</td> <td>12.08.13</td> <td>Christen</td> </tr> <tr> <td>appd.</td> <td>12.08.13</td> <td>Mankopf</td> </tr> </table>				date	name	drawn	12.08.13	Christen	appd.
		date	name								
	drawn	12.08.13	Christen								
appd.	12.08.13	Mankopf									
tolerance of wire: L ≤ 0,5m: L + 20mm L > 0,5m: L + 4%			dwg no: <div style="text-align: center; font-size: 16px; font-weight: bold;">42K1A529</div>								
general tolerance: 0 ± 0,50mm 0,0 ± 0,25mm 0,00 ± 0,10mm											
THIS DRAWING MAY NOT BE COPIED OR REPRODUCED IN ANY WAY, AND MAY NOT BE PASSED ON TO A THIRD PARTY WITHOUT WRITTEN PERMISSION. OWNERSHIP AND COPYRIGHT OF CONEC GmbH			part no:								

X-ON Electronics

Largest Supplier of Electrical and Electronic Components

Click to view similar products for [Sensor Cables / Actuator Cables](#) category:

Click to view products by [CONEC](#) manufacturer:

Other Similar products are found below :

[60963](#) [60964](#) [703000D02F2002](#) [703000D02F300](#) [703001D02F0602](#) [703001D02F300](#) [704000D02F120](#) [773032K02F030](#) [802027107404-1](#)
[802027213811-1](#) [804001A09M150](#) [805001A09M0502](#) [84914-0235](#) [84914-0237](#) [885030A09M020](#) [1200651332](#) [1200651713](#) [1200660844](#)
[1200660845](#) [1200661173](#) [1200680071](#) [1200720053](#) [1200720081](#) [1200720099](#) [1200720217](#) [1200800231](#) [1200860125](#) [1200870123](#)
[1200980102](#) [1200650267](#) [1200650298](#) [1200660183](#) [1200660782](#) [1200660849](#) [1200661295](#) [1200661297](#) [1200661342](#) [1200661343](#)
[1200670080](#) [1200670220](#) [1200680331](#) [1200720252](#) [1200730184](#) [1200860344](#) [1200870359](#) [1200870643](#) [1200980008](#) [1200980031](#)
[1210502211](#) [1210400542](#)