

SAL M8x1/M12x1 SOCKETS

Nomenclature

S A L - - 8 S - F K P D A 3 - - XX - 9 / G4

SAL
Sensor Actor Line

Type
= Standard

Installation size
8 = M8x1
12 = M12x1

Coding
= A-coding (M12x1), Standard (M8x1)
B = B-coding
BS = B-coding shielded (M8x1)
S = A-coding shielded (M12x1)

Design
F = Socket
I = Insolation body

Gender
K = Female connector
S = Male connector

Assembly
= Front panel mounting
P = Positioning possible, frontmounting
H = Back panel mounting

Type
D = Coupling nut turnable
V = Square flange
VO = Square flange with o-ring sealing

Configuration
= Axial
W = Angled

Number of poles
3 = 3-pos. 8 = 8-pos.
4 = 4-pos. 12 = 12-pos.
5 = 5-pos.

LED-Display
= Without LEDs
4L = 4 LEDs

Type of Connection/Installation height

X5 = Dip solder 5.5 mm	X11 = Dip solder 11.2 mm	P5,5 = Dip solder 5.5 mm
X6 = Dip solder 6 mm	X12 = Dip solder 12.2 mm	P6.75 = Dip solder 6.75 mm
X8 = Dip solder 8.2 mm	X13 = Dip solder 13 mm	P12 = Dip solder 12 mm
X9 = Dip solder 9 mm	X15 = Dip solder 15.2 mm	L = Solder termination
X10 = Dip solder 10 mm		XX = Wire/Cable lenght [m]

Pxx = Installation height one-piece socket
Xxx = Installation height two-piece socket

Screw connection

= M8x0.5	9 = PG9	20 = Square flange 20 x 20
= M8x1	11 = PG11	26 = Square flange 26 x 26
= M12x1	12 = M12x1	
= M16x1.5		

Cable quality

G2 = TPU, black, UL
G3 = PVC, grey, UL

SAL M8x1 / M12x1 SOCKETS

Product specification

Basic material	
Contact	CuZn
Contact plating	Nickel plated. gold plated
Contact carrier	PBT GF. UL 94 / PA. UL 94 / TPU GF. UL 94
Sealing	FPM / NBR
Counter nut	CuZn. nickel plated
Socket housing	CuZn. nickel plated
Sealing compound	Polyurethane-resin. UL 94
Shielding	Spring steel
Shielding plated	Sn plated
Coupling nut turnable	GD-Zn. nickel plated
Light conductor	PA 12

Technical Data

Information on the following pages are basing on below mentioned IEC-standards.

Rated voltage	IEC 61076-2-104 / IEC 61076-2-101
Current rating	IEC 61076-2-104 / IEC 61076-2-101
Insulation resistance	IEC 60512
Degree of pollution	IEC 60664-1
Degree of protection	IEC 60529
Mating cycles	IEC 60512-9a

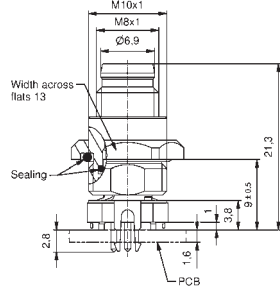
Recommended torque for housing: 0.8-1.2 Nm

Technical subject to change without notice.

M8x1 SOCKETS

Front panel mounting, dip solder termination, shielded

Male connector axial, installation height 9 mm



Number of poles

Coding

Rated voltage [V]

Current rating [A]

Installation height [mm]

Description

Part No.

3

50 V AC/
60 V DC

4

9

SAL-8S-FS3-X9

42-01361

4

50 V AC/
60 V DC

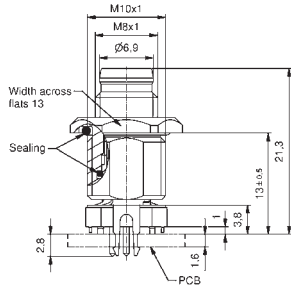
4

9

SAL-8S-FS4-X9

42-01369

Male connector axial, installation height 13 mm



3

50 V AC/
60 V DC

4

13

SAL-8S-FS3-X13

42-01362

4

50 V AC/
60 V DC

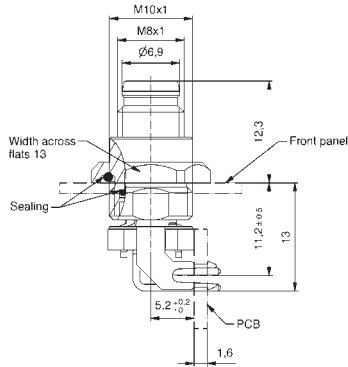
4

13

SAL-8S-FS4-X13

42-01370

Male connector angled, installation height 11.2 mm



3

50 V AC/
60 V DC

4

11,2

SAL-8S-FSW3-X11

42-01421

4

50 V AC/
60 V DC

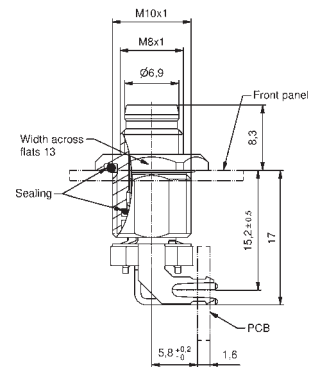
4

11,2

SAL-8S-FSW4-X11

42-01429

Male connector angled, installation height 15.2 mm



3

50 V AC/
60 V DC

4

15,2

SAL-8S-FSW3-X15

42-01422

4

50 V AC/
60 V DC

4

15,2

SAL-8S-FSW4-X15

42-01430

X-ON Electronics

Largest Supplier of Electrical and Electronic Components

Click to view similar products for [Circular Metric Connectors](#) category:

Click to view products by [CONEC](#) manufacturer:

Other Similar products are found below :

[600X518037X](#) [6STD15PCR99B70A](#) [8R4000A16M020](#) [8R5000A16M005](#) [1200910002](#) [1203580030](#) [1200910008](#) [1200910011](#) [1300140094](#)
[130203-0054](#) [1300140026](#) [1300150099](#) [RF-12S1N8A90DU](#) [1-3637-600-5205](#) [1612618](#) [21036836414](#) [8R4006A16M010](#) [8R5006A18A120](#)
[1604232](#) [1R3006A20M005](#) [RF-12P1N8A80DU](#) [RF-12P1N8A90DU](#) [41-40011](#) [42-01015](#) [4-22279-4](#) [4-22281-1](#) [4-22284-9](#) [43-01088](#) [43-](#)
[01203](#) [41-40013](#) [42-00008](#) [43-00343](#) [43-01032](#) [43-01162](#) [43-10000](#) [600X518050X](#) [SACC-DSI-FS-5P-PG9-L180 SC](#) [8R5006A16M020](#)
[8R5006A16M005](#) [8R4000A16M010](#) [6-22279-3](#) [1605332](#) [N03FA03144](#) [1300140077](#) [43-01338](#) [XS2RD4265](#) [RSC 4/9](#) [XS2R-D426-1](#)
[XS8A-0441](#) [859RD04-103R004](#)