

Contact assignment:

1	white	1
2	brown	2
3	green	3
4	yellow	4
5	grey	5
6	pink	6
7	blue	7
8	red	8
Shielding		
coupling nut/		
-screw		

Technical specification :

Rated voltage:	30 V
IEC 61076-2-104	
Current rating:	1,5 A bei 40°C
IEC 61076-2-104	
Insulation resistance:	>=100 MΩ
IEC 60512	
Pollution degree:	3/2
IEC 60664-1	
Degree of protection:	IP 67, in mated condition
IEC 60529	
Temperature range:	-30°C ... +80°C
EN 60512-11-10	
EN 60512-11-4	-40°C ... +85°C
Mating cycles:	>=100
IEC 60512-9a	

Cable specification:

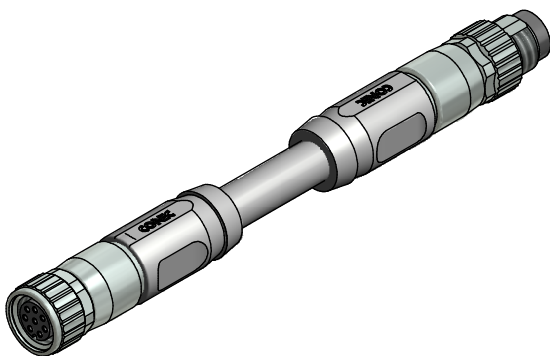
Temperatur range:	
static	-30°C ... +80°C
flexibel	-15°C ... +80°C

Materials:

Contact:	CuZn, Ni b / Au 0,2 gal.
Contact carrier:	PA, UL 94 V-0
Sealing:	FPM
Coupling nut/ -screw:	GD-Zn, Nickel plated
Moulding body:	TPU, UL 94 HB, grey
Shielding bush:	CuZn, Nickel plated

Installation specification:

Recommended torque:	0,4 Nm
Conec installation tool:	Torque wrench: 36-000200 Insert across flats 9: 36-000210



Part-no:	Description:	Length L:	Cable:
42-12206	SAL - 8S - RK8 - RS8 - 0,3 / G3	0,3m	PVC, UL 2464, grey, 8x0,14mm ² Cable: 781-G31800
42-12207	SAL - 8S - RK8 - RS8 - 0,6 / G3	0,6m	
42-12208	SAL - 8S - RK8 - RS8 - 1,5 / G3	1,5m	
42-12209	SAL - 8S - RK8 - RS8 - 3 / G3	3m	
42-xxxxx	SAL - 8S - RK8 - RS8 - ... / G3	x	

DO NOT ALTER CAD DRAWING BY HAND RoHS & REACH compliant	Index a: 01.06.2015 rch Ä5648 Data sheet changed	dim. in mm	title: Connecting cable M8x1, 360°-shielding, female connector axial - male connector axial	
		date name		
	tolerance of cable: L ≤ 4m: L + 40mm L > 4m: L + 1%	drawn 25.09.13 Christen	dwg no: 42K1A561	
	general tolerance: 0 ± 0,50mm 0,0 ± 0,25mm 0,00 ± 0,10mm x ± 5°	appd. 25.09.13 Mankopf		
THIS DRAWING MAY NOT BE COPIED OR REPRODUCED IN ANY WAY, AND MAY NOT BE PASSED ON TO A THIRD PARTY WITHOUT WRITTEN PERMISSION. OWNERSHIP AND COPYRIGHT OF CONEC GmbH	CONEC®		part no:	

X-ON Electronics

Largest Supplier of Electrical and Electronic Components

Click to view similar products for [Sensor Cables / Actuator Cables](#) category:

Click to view products by [CONEC](#) manufacturer:

Other Similar products are found below :

[60963](#) [60964](#) [703000D02F2002](#) [703000D02F300](#) [703001D02F0602](#) [703001D02F1201](#) [703001D02F300](#) [704000D02F120](#) [773032K02F030](#)
[802027107404-1](#) [802027213811-1](#) [804001A09M150](#) [805001A09M0502](#) [84914-0235](#) [84914-0237](#) [885030A09M020](#) [1200651332](#)
[1200651713](#) [1200660844](#) [1200660845](#) [1200661173](#) [1200680071](#) [1200720053](#) [1200720081](#) [1200720099](#) [1200720217](#) [1200800231](#)
[1200860125](#) [1200870123](#) [1200980102](#) [1200650267](#) [1200650298](#) [1200660183](#) [1200660782](#) [1200660849](#) [1200661295](#) [1200661297](#)
[1200661342](#) [1200661343](#) [1200670080](#) [1200670220](#) [1200680331](#) [1200720252](#) [1200720255](#) [1200730184](#) [1200860344](#) [1200870359](#)
[1200870643](#) [1200980008](#) [1200980031](#)