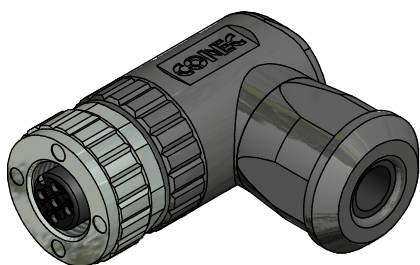
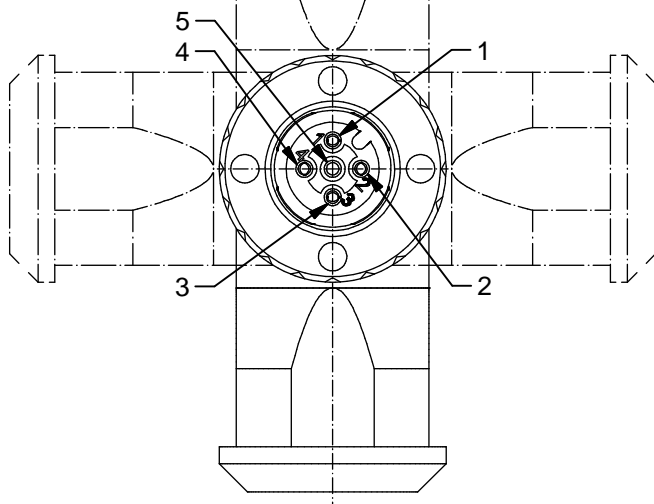


Housing in angled version is mountable in 90° angular degree positions

A-coding

4pos / 5pos



**Technical specification:**

Rated voltage: IEC 61076-2-101	4pos 5pos 250 V 60 V
Current rating: IEC 61076-2-101	7,5 A at 40°C, with 1,5mm <sup>2</sup>
Insulation resistance: IEC 60512	>=100 MΩ
Pollution degree: IEC 60664-1	3/2
Degree of protection: IEC 60529	IP 67, in mated condition
Temperature range:	-30°C ... +85°C
Mating cycles: IEC 60512-9a	>=100
Wire cross section:	max. AWG16 / max. 1,50 mm <sup>2</sup> (incl. sleeve)

**Materials:**

Contact:	CuZn
Contact plating:	Au over Ni
Contact carrier:	PA6, UL 94
Cable seal:	Elastomere
O-Ring:	FPM / NBR
Coupling nut:	GD-Zn, Ni plated
Housing:	PA6 GF, UL 94

**Installation specification:**

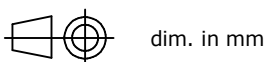
Recommended torque:	0,6 Nm
Conec installation tooling:	Torque wrench: 36-000200 Insert across flats 18: 36-000240
Recommended torque, screw termination contact:	0,3 Nm

Part no:	Description:	Pos:	Cable-Ø:
43-00096	SAL - 12 - RKWC4 - S / 150	4	4 - 8 mm
43-00098	SAL - 12 - RKWC5 - S / 150	5	4 - 8 mm

DO NOT ALTER CAD DRAWING BY HAND

Directive 2002/95/EC RoHS compliant

Index: d 17.03.14 BS Ä5133  
data sheet a. description modified



	date	name
drawn	19.01.09	Burschik
appd.	19.01.09	Schmidt

general tolerance:	0 ± 0,50mm
	0,0 ± 0,25mm
	0,00 ± 0,10mm



THIS DRAWING MAY NOT BE COPIED OR REPRODUCED IN ANY WAY, AND MAY NOT BE PASSED ON TO A THIRD PARTY WITHOUT WRITTEN PERMISSION. OWNERSHIP AND COPYRIGHT OF CONEC GmbH

title: Female connector M12x1, field attachable, angled, screw connection

dwg no: 43K1A835

part no: see table

## X-ON Electronics

Largest Supplier of Electrical and Electronic Components

*Click to view similar products for [Circular Metric Connectors](#) category:*

*Click to view products by [CONEC](#) manufacturer:*

Other Similar products are found below :

[600X518037X](#) [6STD15PCR99B70A](#) [8R4000A16M020](#) [8R5000A16M005](#) [1200910002](#) [1203580030](#) [1200910008](#) [1200910011](#) [1300140094](#)  
[130203-0054](#) [1300140026](#) [1300150099](#) [RF-12S1N8A90DU](#) [1-3637-600-5205](#) [1612618](#) [21036836414](#) [8R4006A16M010](#) [8R5006A18A120](#)  
[1604232](#) [1R3006A20M005](#) [RF-12P1N8A80DU](#) [RF-12P1N8A90DU](#) [41-40011](#) [42-01015](#) [4-22279-4](#) [4-22281-1](#) [4-22284-9](#) [43-00113](#) [43-](#)  
[01088](#) [43-01203](#) [41-40013](#) [42-00008](#) [43-00343](#) [43-01032](#) [43-01162](#) [43-10000](#) [600X518050X](#) [SACC-DSI-FS-5P-PG9-L180 SC](#)  
[8R5006A16M020](#) [8R5006A16M005](#) [8R4000A16M010](#) [6-22279-3](#) [1605332](#) [N03FA03144](#) [1300140077](#) [43-01338](#) [XS2RD4265](#) [RSC 4/9](#)  
[XS2R-D426-1](#) [XS8A-0441](#)