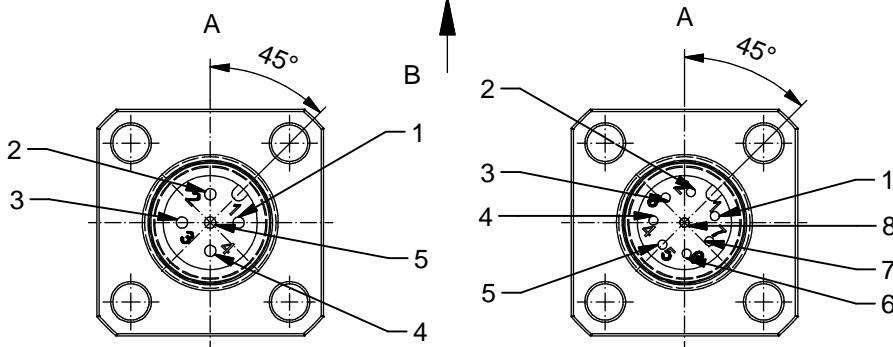


Technical specification:

Rated voltage: IEC 61076-2-101	4pos 250 V	5pos 60 V	8pos 30 V
Current rating: IEC 61076-2-101	4/5pos 4 A at 40°C	8pos 2 A at 40°C	
Insulation resistance: IEC 60512	>=100 MΩ		
Pollution degree: IEC 60664-1	3/2		
Degree of protection: IEC 60529	IP 67, in mated condition		
Temperature range: IEC 60664-1	-30°C ... +80°C		
Mating cycles: IEC 60512-9a	>=100		

Materials:

Contact:	CuZn
Contact plating:	Nickel, gold plated
Contact carrier:	PBT GF, UL 94
Sealing:	NBR
Socket housing:	CuZn, nickel plated
Grouting:	Polyurethane-resin, UL 94

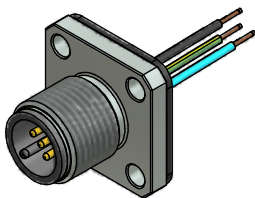
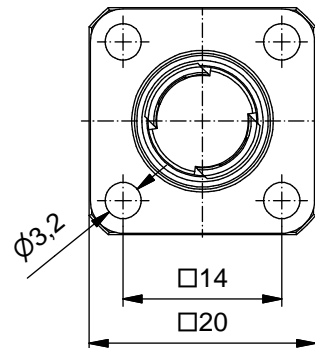


Contact assignment:

- 1 brown
- 2 white
- 3 blue
- 4 black
- 5 green-yellow

Contact assignment:

- 1 white
- 2 brown
- 3 green
- 4 yellow
- 5 grey
- 6 pink
- 7 blue
- 8 red



Part no:	Description:	Pos	Length L:	Wire:
43-01355	SAL - 12 - FSV4 - 0,5 - 20	4	0,5m	AWG 24 PVC, UL
43-01356	SAL - 12 - FSV5 - 0,5 - 20	5	0,5m	
43-01357	SAL - 12 - FSV8 - 0,5 - 20	8	0,5m	
43-xxxxx	SAL - 12 - FSV... - ... - 20	x	x	

DO NOT ALTER CAD DRAWING BY HAND Directive 2002/95/EC RoHS compliant	Index: b 17.08.11 fro Ä3914 Data sheet revised, technical specification changed, Sleeve side B removed	dim. in mm	title: Male socket M12x1 with wire, with square										
	tolerance of wire: L ≤ 0,5m: L + 20mm L > 0,5m: L + 4%	<table border="1" style="width: 100%; border-collapse: collapse;"> <tr> <td></td> <td>date</td> <td>name</td> </tr> <tr> <td>drawn</td> <td>07.10.08</td> <td>Fromm</td> </tr> <tr> <td>appd.</td> <td>07.10.08</td> <td>Mankopf</td> </tr> </table>				date	name	drawn	07.10.08	Fromm	appd.	07.10.08	Mankopf
		date	name										
	drawn	07.10.08	Fromm										
appd.	07.10.08	Mankopf											
general tolerance: 0 ± 0,50mm 0,0 ± 0,25mm 0,00 ± 0,10mm			part no:										
THIS DRAWING MAY NOT BE COPIED OR REPRODUCED IN ANY WAY, AND MAY NOT BE PASSED ON TO A THIRD PARTY WITHOUT WRITTEN PERMISSION. OWNERSHIP AND COPYRIGHT OF CONEC GmbH													

X-ON Electronics

Largest Supplier of Electrical and Electronic Components

Click to view similar products for [Circular Metric Connectors](#) category:

Click to view products by [CONEC](#) manufacturer:

Other Similar products are found below :

[600X518037X](#) [6STD15PCR99B70A](#) [8R4000A16M020](#) [8R5000A16M005](#) [1200910002](#) [1203580030](#) [1200910008](#) [1200910011](#) [1300140094](#)
[130203-0054](#) [1300140026](#) [1300150099](#) [RF-12S1N8A90DU](#) [1-3637-600-5205](#) [1612618](#) [21036836414](#) [8R4006A16M010](#) [8R5006A18A120](#)
[1604232](#) [1R3006A20M005](#) [RF-12P1N8A80DU](#) [RF-12P1N8A90DU](#) [41-40011](#) [42-01015](#) [4-22279-4](#) [4-22281-1](#) [4-22284-9](#) [43-00113](#) [43-](#)
[01088](#) [43-01203](#) [41-40013](#) [42-00008](#) [43-00343](#) [43-01032](#) [43-01162](#) [43-10000](#) [600X518050X](#) [SACC-DSI-FS-5P-PG9-L180 SC](#)
[8R5006A16M020](#) [8R5006A16M005](#) [8R4000A16M010](#) [6-22279-3](#) [1605332](#) [N03FA03144](#) [1300140077](#) [43-01338](#) [XS2RD4265](#) [RSC 4/9](#)
[XS2R-D426-1](#) [XS8A-0441](#)