

Minimum wall thickness 1,5mm, alternativ panel cut-out d=16,1

Technical specification:

Rated voltage: 30 V
IEC 61076-2-101

Current rating: 2 A at 40°C
IEC 61076-2-101

Insulation resistance: >=100 MΩ
IEC 60512

Pollution degree: 3/2
IEC 60664-1

Degree of protection: IP 67, in mated condition
IEC 60529

Temperature range: -30°C ... +85°C

Mating cycles: >=100
IEC 60512-9a

Materials:

Contact: CuZn

Contact plating: Nickel, gold plated

Contact carrier: PBT GF, UL 94

Sealing: FPM

Counternut: CuZn, nickel plated

Socket housing: CuZn, nickel plated

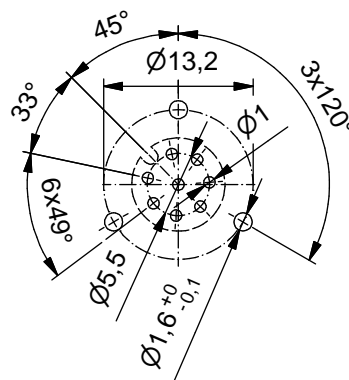
Grouting: Polyurethane-resin, UL 94

Installation specification:

Recommended torque: 1-1,2 Nm

Conec installation tool: Torque wrench: 36-000200
Insert across flats 19: 36-000250

Pin layout PCB

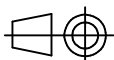


Part no:	Description:	Pos	Length L:
43-01665	SAL - 12S - FKH8 - P6,75	8	6,75mm

DO NOT ALTER CAD DRAWING BY HAND

Directive 2002/95/EC RoHS compliant

Index: a 07.12.12 MG Ä4555
Data sheet revised, technical specification changed, materials corrected



dim. in mm

	date	name
drawn	29.09.10	Franz
appd.	29.09.10	Schmidt

general tolerance: 0 ± 0,50mm
0,0 ± 0,25mm
0,00 ± 0,10mm



THIS DRAWING MAY NOT BE COPIED OR REPRODUCED IN ANY WAY, AND MAY NOT BE PASSED ON TO A THIRD PARTY WITHOUT WRITTEN PERMISSION. OWNERSHIP AND COPYRIGHT OF CONEC GmbH

title:
Female socket M12x1 with dip solder shielded, backmounting

dwg no:
43K1A1197

part no: see table

X-ON Electronics

Largest Supplier of Electrical and Electronic Components

Click to view similar products for [Circular Metric Connectors](#) category:

Click to view products by [CONEC](#) manufacturer:

Other Similar products are found below :

[600X518037X](#) [6STD15PCR99B70A](#) [8R4000A16M020](#) [8R5000A16M005](#) [1200910002](#) [1203580030](#) [1200910008](#) [1200910011](#) [1300140094](#)
[130203-0054](#) [1300140026](#) [1300150099](#) [RF-12S1N8A90DU](#) [1-3637-600-5205](#) [1612618](#) [21036836414](#) [8R4006A16M010](#) [8R5006A18A120](#)
[1604232](#) [1R3006A20M005](#) [RF-12P1N8A80DU](#) [RF-12P1N8A90DU](#) [41-40011](#) [42-01015](#) [4-22279-4](#) [4-22281-1](#) [4-22284-9](#) [43-01088](#) [43-](#)
[01203](#) [41-40013](#) [42-00008](#) [43-00343](#) [43-01032](#) [43-01162](#) [43-10000](#) [600X518050X](#) [SACC-DSI-FS-5P-PG9-L180 SC](#) [8R5006A16M020](#)
[8R5006A16M005](#) [8R4000A16M010](#) [6-22279-3](#) [1605332](#) [N03FA03144](#) [1300140077](#) [43-01338](#) [XS2RD4265](#) [RSC 4/9](#) [XS2R-D426-1](#)
[XS8A-0441](#) [859RD04-103R004](#)