

Technical specification:

Rated voltage: 8pos
IEC 61076-2-109 48 V

Current rating: 8pos
IEC 61076-2-109 0,5 A at 40°C

Transfer properties: CAT 6A / 10 GBit/s
IEC 61076-2-109

Insulation resistance: >=100 MΩ
IEC 60512

Pollution degree: 3
IEC 60664-1

Degree of protection: IP 67, in mated condition
IEC 60529

Temperature range: -25°C ... +95°C
EN 60512-11-10
EN 60512-11-4 -40°C ... +85°C

Mating cycles: >=100
IEC 60512-9a

Spring force axial flange height 6,0mm: 3-4N

Total spring force with case diameter 11,4mm: max 10N

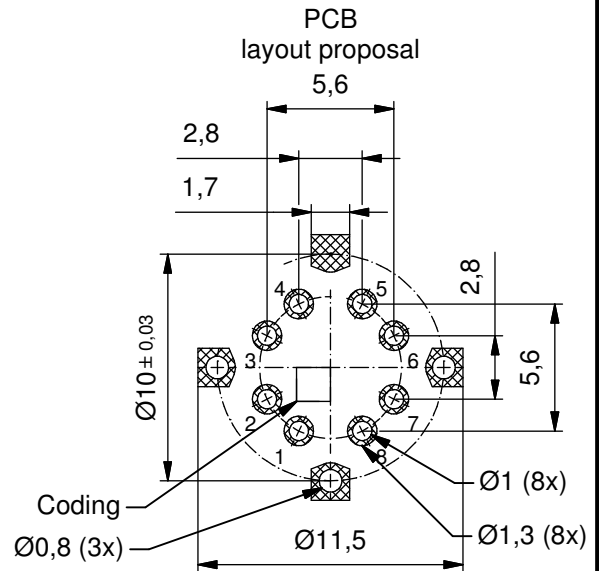
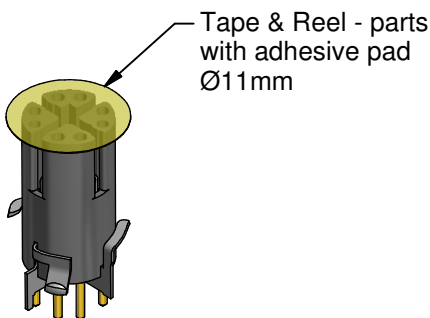
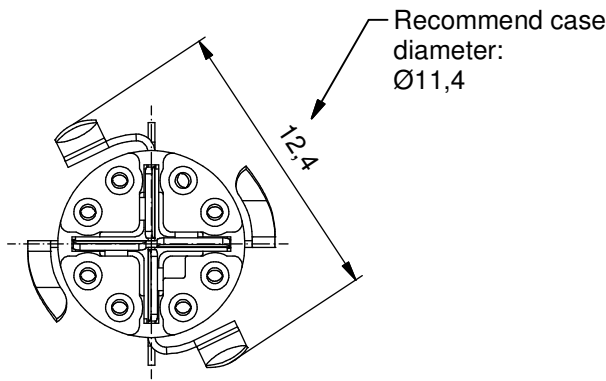
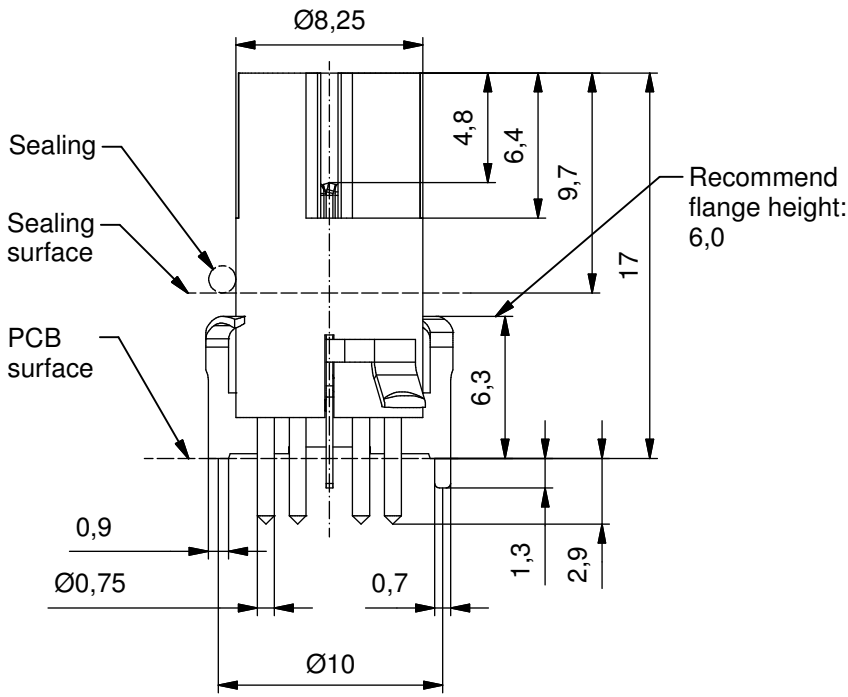
Materials:

Contact: CuZn, Ni b / Au 0,2 gal.

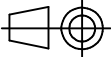

Contact carrier: LCP GF

Shielding cross: CuSn, Ni / sel. Sn

Suitable for reflow soldering
max. 60s / 250°C



Part no. packing unit Tape & Reel:	Part no. packing unit in bulk:	Description:	Pos
43-02363TR	43-02363	SAL - 12X - IK8 / THR	8

DO NOT ALTER CAD DRAWING BY HAND	RoHS & REACH compliant	 dim. in mm		title: Insulating body female M12x1 THR, X-Cod.								
			date		name							
		drawn	17.03.16		Brüntrup							
		appd.	17.03.16		Willer							
general tolerance: <table style="margin-left: 20px;"> <tr><td>0</td><td>± 0,50mm</td></tr> <tr><td>0,0</td><td>± 0,25mm</td></tr> <tr><td>0,00</td><td>± 0,10mm</td></tr> <tr><td>*</td><td>± 1,5°</td></tr> </table>		0	± 0,50mm	0,0	± 0,25mm	0,00	± 0,10mm	*	± 1,5°			dwg no: 43K1A2869
0	± 0,50mm											
0,0	± 0,25mm											
0,00	± 0,10mm											
*	± 1,5°											
THIS DRAWING MAY NOT BE COPIED OR REPRODUCED IN ANY WAY, AND MAY NOT BE PASSED ON TO A THIRD PARTY WITHOUT WRITTEN PERMISSION. OWNERSHIP AND COPYRIGHT OF CONEC GmbH				part no: see table								

X-ON Electronics

Largest Supplier of Electrical and Electronic Components

Click to view similar products for [Circular Metric Connectors](#) category:

Click to view products by [CONEC](#) manufacturer:

Other Similar products are found below :

[600X518037X](#) [6STD15PCR99B70A](#) [8R4000A16M020](#) [8R5000A16M005](#) [1200910002](#) [1203580030](#) [1200910008](#) [1200910011](#) [1300140094](#)
[130203-0054](#) [1300140026](#) [1300150099](#) [RF-12S1N8A90DU](#) [1-3637-600-5205](#) [1612618](#) [21036836414](#) [8R4006A16M010](#) [8R5006A18A120](#)
[1604232](#) [1R3006A20M005](#) [RF-12P1N8A80DU](#) [RF-12P1N8A90DU](#) [41-40011](#) [42-01015](#) [4-22279-4](#) [4-22281-1](#) [4-22284-9](#) [43-01088](#) [43-](#)
[01203](#) [41-40013](#) [42-00008](#) [43-00343](#) [43-01032](#) [43-01162](#) [43-10000](#) [600X518050X](#) [SACC-DSI-FS-5P-PG9-L180 SC](#) [8R5006A16M020](#)
[8R5006A16M005](#) [8R4000A16M010](#) [6-22279-3](#) [1605332](#) [N03FA03144](#) [1300140077](#) [43-01338](#) [XS2RD4265](#) [RSC 4/9](#) [XS2R-D426-1](#)
[XS8A-0441](#) [859RD04-103R004](#)