

**Technical specification:**

Rated voltage: 63 V AC/DC  
IEC 61076-2-101

Current rating: 12 A at 40°C  
IEC 61076-2-101

Insulation resistance: >=100 MΩ  
IEC 60512

Pollution degree: 3/2  
IEC 60664-1

Degree of protection: IP 67, in mated condition  
IEC 60529

Temperature range: -30°C ... +80°C  
EN 60512-11-10  
-40°C ... +85°C  
EN 60512-11-4  
UL 2238  
-30°C ... +85°C

Mating cycles: >=100  
IEC 60512-9a

**Wire specification:**

Temperatur range  
static -30°C ... +80°C  
flexibel -5°C ... +80°C

**Materials:**

Contact: CuZn, Ni b / Au 0,2 gal.

Contact carrier: PA, UL 94

Sealing chassis: NBR

Counternut: CuZn, nickel plated

Socket housing: CuZn, nickel plated

Grouting: Polyurethane-resin, UL 94

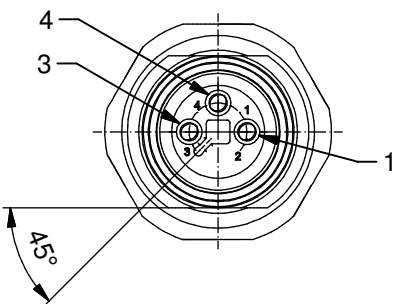
**Installation specification:**

Recommended torque: 1-1,2 Nm

Conec installation tool: Torque wrench: 36-000200  
Insert across flats 19: 36-000250

Installation hole: see fig.1 43K1A1791

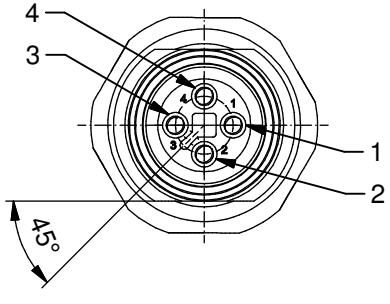
A  
3-pos.



**Contact assignment:**

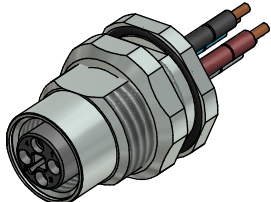
- 1) brown
- 3) blue
- 4) black

A  
4-pos.



**Contact assignment:**

- 1) brown
- 2) white
- 3) blue
- 4) black



Part no:	Description:	Pos	Lenght L:	Wire:
43-02416	SAL - 12T - FKH3 - 0,5	3	0,5m	AWG 16 PVC, UL
43-xxxxx	SAL - 12T - FKH3 - ...	3	x	
43-02397	SAL - 12T - FKH4 - 0,5	4	0,5m	
43-xxxxx	SAL - 12T - FKH4 - ...	4	x	

DO NOT ALTER CAD DRAWING BY HAND Directive 2011/65/EU RoHS compliant	Index a: 14.09.15 Brü A5814 specifications changed, 3-pos. added	dim. in mm	title: <b>Female socket M12x1 with wire, T-cod., backmounting</b>		
	tolerance of cable: L <= 0,5m: L + 20mm L > 0,5m: L + 4%	drawn 17.02.14 appd. 10.04.14	date 17.02.14 name Gitinow Brüntrup	dwg no: <b>43K1A2268</b>	
	general tolerance: 0 ± 0,50mm 0,0 ± 0,25mm 0,00 ± 0,10mm			part no: see table	
	THIS DRAWING MAY NOT BE COPIED OR REPRODUCED IN ANY WAY, AND MAY NOT BE PASSED ON TO A THIRD PARTY WITHOUT WRITTEN PERMISSION. OWNERSHIP AND COPYRIGHT OF CONEC GmbH				

## X-ON Electronics

Largest Supplier of Electrical and Electronic Components

*Click to view similar products for [Standard Circular Connector](#) category:*

*Click to view products by [CONEC](#) manufacturer:*

Other Similar products are found below :

[5M2530B10P](#) [600259N006](#) [600273N007](#) [6134-336-13149](#) [6134-337-11149](#) [6134-337-2390](#) [6134-341-17149](#) [6280-4SG-516](#) [6280-7SG-3DC](#)  
[6290](#) [6291A](#) [66200A-10](#) [680-SMG](#) [681-PMG](#) [CXS3102A14S2P](#) [CXS3102A181S](#) [7251-5SG-300](#) [7271-6SG-300](#) [7282-3PG-300-CH3](#) [75-](#)  
[474618-01S](#) [75-474618-04P](#) [75-474618-04S](#) [799539-000](#) [MI8-SE](#) [805-005-07NF11-19PC](#) [805-005-07NF15-7PA](#) [8280-4PG-516](#) [8280-7PG-](#)  
[519](#) [8282-5PG-519](#) [836783-1](#) [MP-4102-25P-C](#) [862256-1](#) [864019-2](#) [866857-1](#) [867865-1](#) [PT01SP-14-18P](#) [PT08P-14-5S](#) [PTSF06SE-14-12S](#)  
[120-1833-000](#) [QCM019PC2DC012B](#) [1-2069279-1](#) [121583-0217](#) [121667-0020](#) [129591AU](#) [1000B BULK](#) [RD10A16-19-P6CS051/1](#)  
[RD10A20-31-P8CS051/1](#) [RD16A14-12-S6CS051/2](#) [1301240290](#) [1301240347](#) [1301860202](#)