

**Technical specification:**

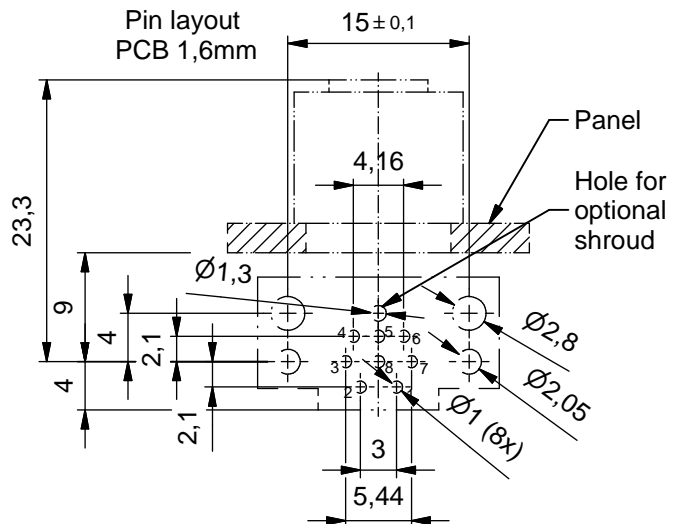
Rated voltage: IEC 61076-2-101	30 V
Current rating: IEC 61076-2-101	2 A at 40°C
Insulation resistance: IEC 60512	>=100 MΩ
Pollution degree: IEC 60664-1	3/2
Degree of protection: IEC 60529	IP 67, in mated condition
Temperature range: EN 60512-11-10 EN 60512-11-4	-30°C ... +85°C -40°C ... +85°C
Mating cycles: IEC 60512-9a	>=100

**Materials:**

Contact:	CuZn, Ni b / Au 0,2 gal.
Contact carrier:	PA, UL 94 V-0
Sealing:	FPM
Socket housing:	CuZn, nickel plated
Shroud:	CuSn6 / Sn

**Installation specification:**

Recommended torque:	0,8-1 Nm
Conec installation tool:	Torque wrench: 36-000200 Insert across flats 15: 36-000320
Installation hole:	see fig.1 43K1A1791



Part no:	Description:	Pos	Note:
43-02638	SAL - 12 - FKW8	8	
43-02639	SAL - 12S - FKW8	8	with shroud

DO NOT ALTER CAD DRAWING BY HAND RoHS & REACH compliant	dim. in mm		title: <b>Female socket M12x1 angled, frontmounting, dip solder</b>	
		date		
	drawn	06.08.15	Böckeler	dwg no: <b>43K1A3060</b>
	appd.	06.08.15	Franz	
general tolerance: 0 ± 0,50mm 0,0 ± 0,25mm 0,00 ± 0,10mm * ± 1,5°				part no: see table
THIS DRAWING MAY NOT BE COPIED OR REPRODUCED IN ANY WAY, AND MAY NOT BE PASSED ON TO A THIRD PARTY WITHOUT WRITTEN PERMISSION. OWNERSHIP AND COPYRIGHT OF CONEC GmbH				

## X-ON Electronics

Largest Supplier of Electrical and Electronic Components

*Click to view similar products for [Circular Metric Connectors](#) category:*

*Click to view products by [CONEC](#) manufacturer:*

Other Similar products are found below :

[600X518037X](#) [6STD15PCR99B70A](#) [8R4000A16M020](#) [8R5000A16M005](#) [1200910002](#) [1203580030](#) [1200910008](#) [1200910011](#) [1300140094](#)  
[130203-0054](#) [1300140026](#) [1300150099](#) [RF-12S1N8A90DU](#) [1-3637-600-5205](#) [1612618](#) [21036836414](#) [8R4006A16M010](#) [8R5006A18A120](#)  
[1604232](#) [1R3006A20M005](#) [RF-12P1N8A80DU](#) [RF-12P1N8A90DU](#) [41-40011](#) [42-01015](#) [4-22279-4](#) [4-22281-1](#) [4-22284-9](#) [43-01088](#) [43-](#)  
[01203](#) [41-40013](#) [42-00008](#) [43-00343](#) [43-01032](#) [43-01162](#) [43-10000](#) [600X518050X](#) [SACC-DSI-FS-5P-PG9-L180 SC](#) [8R5006A16M020](#)  
[8R5006A16M005](#) [8R4000A16M010](#) [6-22279-3](#) [1605332](#) [N03FA03144](#) [1300140077](#) [43-01338](#) [XS2RD4265](#) [RSC 4/9](#) [XS2R-D426-1](#)  
[XS8A-0441](#) [859RD04-103R004](#)