



**Technical specification:**

Rated voltage: 4pos 5pos  
IEC 61076-2-101 250 V 60 V

Current rating: 4/5pos  
IEC 61076-2-101 4 A at 40°C

Insulation resistance: >=100 MΩ  
IEC 60512

Pollution degree: 3/2  
IEC 60664-1

Degree of protection: IP 67, in mated condition  
IEC 60529

Temperature range: -20°C ... +85°C

Mating cycles: >=100  
IEC 60512-9a

Wire cross section: max. AWG20

**Materials:**

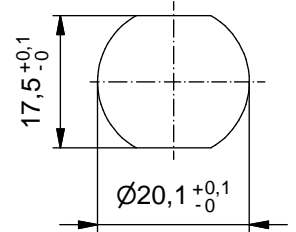
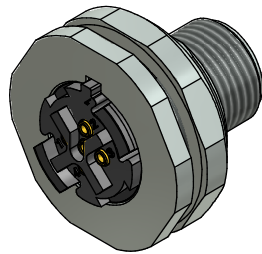
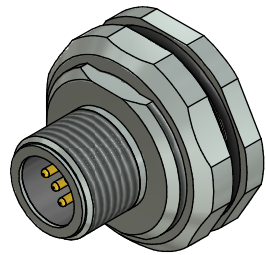
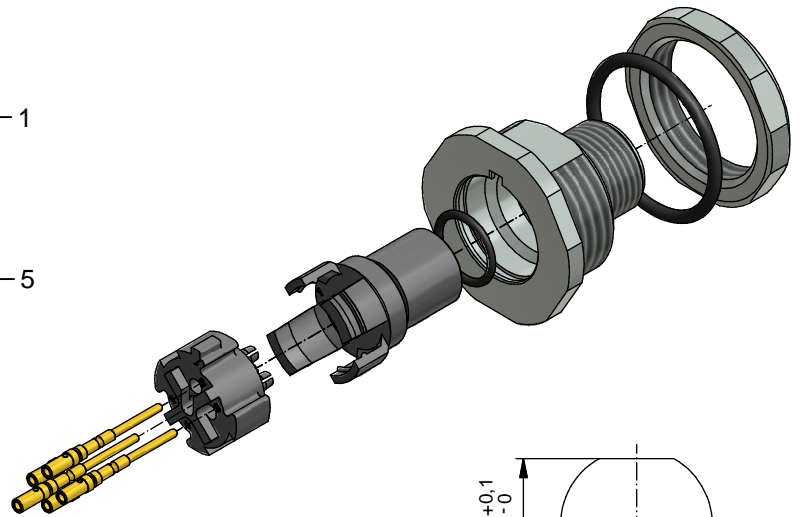
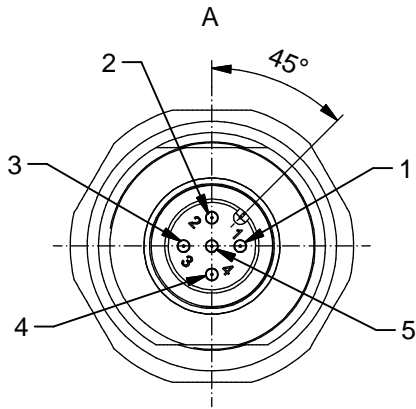
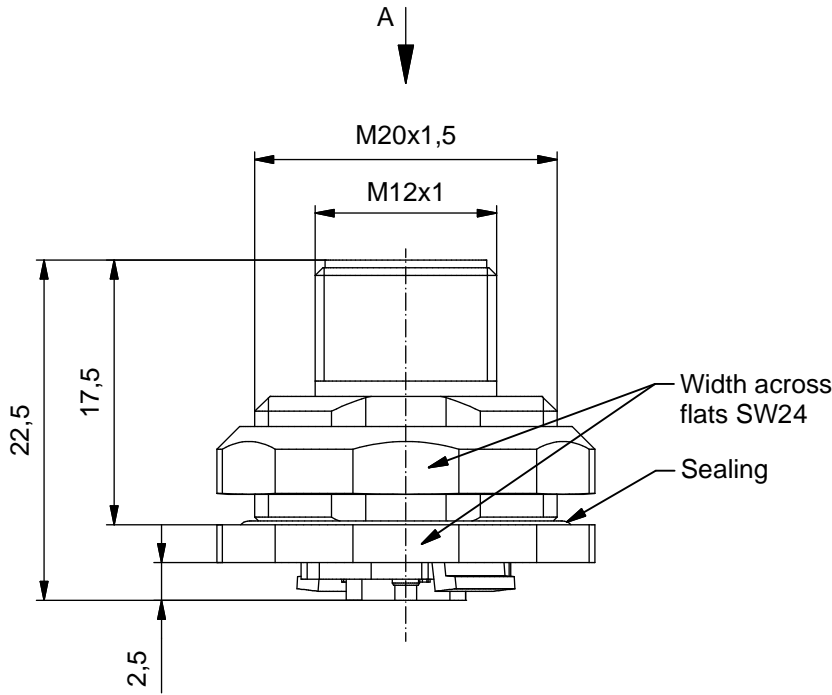
Contact: CuZn, Ni3 Au 0,2 gal.

Contact carrier: PA, UL 94 V-0

Sealing: NBR

Socket housing: CuZn, nickel plated

Counter nut: CuZn, nickel plated



**Parts loose packed**

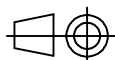
Minimum wall thickness 1,5mm, alternativ panel cut-out d=20,1

Part no:	Description:	Pos	Note:
43-02691	SAL - 12 - FSHC4	4	
43-02613	SAL - 12 - FSHC5.1	5	Contact 5 leading
43-02632	SAL - 12 - FSHC5.1	5	

DO NOT ALTER CAD DRAWING BY HAND

RoHS & REACH compliant

Index a: 06.05.2015 rch Ä5641  
43-02691 added



dim. in mm

title:

Male socket M12x1,  
field attachable, backmounting

	date	name
drawn	23.02.15	Christen
appd.	23.02.15	Franz

dwg no:

43K1A2695

general tolerance: 0 ± 0,50mm  
0,0 ± 0,25mm  
0,00 ± 0,10mm  
\* ± 1,5°



part no:

THIS DRAWING MAY NOT BE COPIED OR REPRODUCED IN ANY WAY, AND MAY NOT BE PASSED ON TO A THIRD PARTY WITHOUT WRITTEN PERMISSION. OWNERSHIP AND COPYRIGHT OF CONEC GmbH



## X-ON Electronics

Largest Supplier of Electrical and Electronic Components

*Click to view similar products for [Circular Metric Connectors](#) category:*

*Click to view products by [CONEC](#) manufacturer:*

Other Similar products are found below :

[600X518037X](#) [6STD15PCR99B70A](#) [8R4000A16M020](#) [8R5000A16M005](#) [1200910002](#) [1203580030](#) [1200910008](#) [1200910011](#) [1300140094](#)  
[130203-0054](#) [1300140026](#) [1300150099](#) [RF-12S1N8A90DU](#) [1-3637-600-5205](#) [1612618](#) [21036836414](#) [8R4006A16M010](#) [8R5006A18A120](#)  
[1604232](#) [1R3006A20M005](#) [RF-12P1N8A80DU](#) [RF-12P1N8A90DU](#) [41-40011](#) [42-01015](#) [4-22279-4](#) [4-22281-1](#) [4-22284-9](#) [43-00113](#) [43-](#)  
[01088](#) [43-01203](#) [41-40013](#) [42-00008](#) [43-00343](#) [43-01032](#) [43-01162](#) [43-10000](#) [600X518050X](#) [SACC-DSI-FS-5P-PG9-L180 SC](#)  
[8R5006A16M020](#) [8R5006A16M005](#) [8R4000A16M010](#) [6-22279-3](#) [1605332](#) [N03FA03144](#) [1300140077](#) [43-01338](#) [XS2RD4265](#) [RSC 4/9](#)  
[XS2R-D426-1](#) [XS8A-0441](#)