

**Technical specification:**

Rated voltage: IEC 61076-2-101	60 V
Current rating: IEC 61076-2-101	4 A bei 40°C
Insulation resistance: IEC 60512-2	$\geq 100 \text{ M}\Omega$
Pollution degree: IEC 60664-1	3/2
Degree of protection: IEC 60529	IP 67, in mated condition
Temperature range: IEC 60664-1	-25°C ... +85°C
Mating cycles: IEC 60512-9a	$\geq 100$

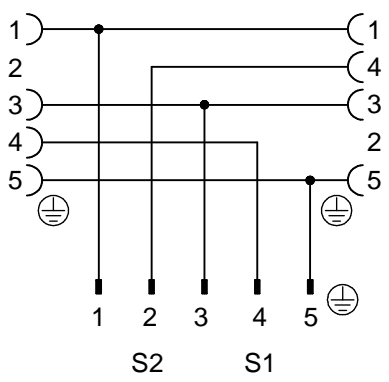
**Materials:**

Contact:	CuSn
Contact plating:	Nickel, gold plated
Contact carrier:	TPU
Moulding body:	TPU, RAL 7001
Sealing:	FPM

**Installation specification:**

Recommended torque:	0,6 Nm
---------------------	--------

**Contact assignment:**



Part no:	Description:
43-05101	SAL - 12 - RS5 - 2RK5.2

DO NOT ALTER CAD DRAWING BY HAND Directive 2002/95/EC RoHS compliant	Index: a 24.08.11 VF Ä3941 data sheet revised		dim. in mm	title: <b>Junction box, male connector M12x1 - 2x female connector M12x1</b>	
	tolerance of cable:		date		name
	general tolerance:		drawn		appd.
0 ± 0,50mm 0,0 ± 0,25mm 0,00 ± 0,10mm		05.04.07	Franz	dwg no:  <b>43K1A488</b>	
THIS DRAWING MAY NOT BE COPIED OR REPRODUCED IN ANY WAY, AND MAY NOT BE PASSED ON TO A THIRD PARTY WITHOUT WRITTEN PERMISSION. OWNERSHIP AND COPYRIGHT OF CONEC GmbH		08.04.07	Mankopf		part no:  see table
		<b>CONEC</b> ®			

## X-ON Electronics

Largest Supplier of Electrical and Electronic Components

*Click to view similar products for [Circular Metric Connectors](#) category:*

*Click to view products by [CONEC](#) manufacturer:*

Other Similar products are found below :

[600X518037X](#) [6STD15PCR99B70A](#) [8R4000A16M020](#) [8R5000A16M005](#) [1200910002](#) [1203580030](#) [1200910008](#) [1200910011](#) [1300140094](#)  
[130203-0054](#) [1300140026](#) [1300150099](#) [RF-12S1N8A90DU](#) [1-3637-600-5205](#) [1612618](#) [21036836414](#) [8R4006A16M010](#) [8R5006A18A120](#)  
[1604232](#) [1R3006A20M005](#) [RF-12P1N8A80DU](#) [RF-12P1N8A90DU](#) [41-40011](#) [42-01015](#) [4-22279-4](#) [4-22281-1](#) [4-22284-9](#) [43-01088](#) [43-](#)  
[01203](#) [41-40013](#) [42-00008](#) [43-00343](#) [43-01032](#) [43-01162](#) [43-10000](#) [600X518050X](#) [SACC-DSI-FS-5P-PG9-L180 SC](#) [8R5006A16M020](#)  
[8R5006A16M005](#) [8R4000A16M010](#) [6-22279-3](#) [1605332](#) [N03FA03144](#) [1300140077](#) [43-01338](#) [XS2RD4265](#) [RSC 4/9](#) [XS2R-D426-1](#)  
[XS8A-0441](#) [859RD04-103R004](#)