

Technical specification :

Rated voltage: 60 V
IEC 61076-2-101

Current rating: 4 A at 40°C
IEC 61076-2-101

Insulation resistance: >=100 M
IEC 60512

Pollution degree: 3/2
IEC 60664-1

Degree of protection: IP 67, in mated condition
IEC 60529

Temperature range: -30°C ... +80°C
EN 60512-11-10
-40°C ... +85°C
EN 60512-11-4

Mating cycles: >=100
IEC 60512-9a

Cable specification:

Temperatur range:
static -40°C ... +80°C
flexibel -25°C ... +80°C

Numbers of cycles: >= 4 Mio. at 3 m/s

Materials:

Contact: CuZn, Ni b / Au 0,2 gal.

Contact carrier: PA, UL 94 V-0

Sealing: FPM

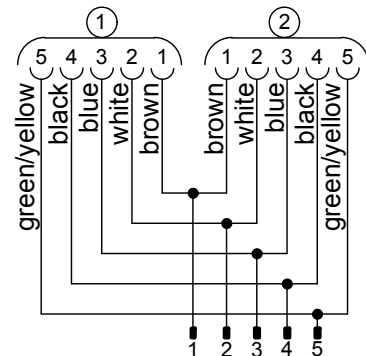
Coupling nut/ screw: GD-Zn, Nickel plated

Moulding body: TPU, UL 94 HB, grey

Installation specification:

Recommended torque: 0,6 Nm

Conec installation tool: Torque wrench: 36-000200
Insert across flats 13: 36-000220



Part no:	Description:	Length L:	Cable:
43-05182	SAL - 12 - YRS5 - RK5 - RK5 - 0,6 / 0,6 / 0,6 / K1	0,6 m	TPU, UL 20549, black, 5x0,34mm ² Li9Y11Y Cable: 781-K13500
43-05183	SAL - 12 - YRS5 - RK5 - RK5 - 1,5 / 1,5 / 1,5 / K1	1,5 m	
43-xxxxx	SAL - 12 - YRS5 - RK5 - RK5 - ... / ... / ... / K1	x	

DO NOT ALTER CAD DRAWING BY HAND RoHS & REACH compliant	dim. in mm		title: Y-splitter, male connector M12x1 - 2x female connector M12x1	
	tolerance of cable: L <= 4m: L + 40mm L > 4m: L + 1%	date		name
	general tolerance: 0 ± 0,50mm 0,0 ± 0,25mm 0,00 ± 0,10mm * ± 5°	drawn	19.11.15	Willer
	THIS DRAWING MAY NOT BE COPIED OR REPRODUCED IN ANY WAY, AND MAY NOT BE PASSED ON TO A THIRD PARTY WITHOUT WRITTEN PERMISSION. OWNERSHIP AND COPYRIGHT OF CONEC GmbH	appd.	19.11.15	Franz
CONEC [®]			dwg no: 43K1A3170	
			part no: see table	

X-ON Electronics

Largest Supplier of Electrical and Electronic Components

Click to view similar products for [Circular Metric Connectors](#) category:

Click to view products by [CONEC](#) manufacturer:

Other Similar products are found below :

[600X518037X](#) [6STD15PCR99B70A](#) [8R4000A16M020](#) [8R5000A16M005](#) [1200910002](#) [1203580030](#) [1200910008](#) [1200910011](#) [1300140094](#)
[130203-0054](#) [1300140026](#) [1300150099](#) [RF-12S1N8A90DU](#) [1-3637-600-5205](#) [1612618](#) [21036836414](#) [8R4006A16M010](#) [8R5006A18A120](#)
[1604232](#) [1R3006A20M005](#) [RF-12P1N8A80DU](#) [RF-12P1N8A90DU](#) [41-40011](#) [42-01015](#) [4-22279-4](#) [4-22281-1](#) [4-22284-9](#) [43-01088](#) [43-](#)
[01203](#) [41-40013](#) [42-00008](#) [43-00343](#) [43-01032](#) [43-01162](#) [43-10000](#) [600X518050X](#) [SACC-DSI-FS-5P-PG9-L180 SC](#) [8R5006A16M020](#)
[8R5006A16M005](#) [8R4000A16M010](#) [6-22279-3](#) [1605332](#) [N03FA03144](#) [1300140077](#) [43-01338](#) [XS2RD4265](#) [RSC 4/9](#) [XS2R-D426-1](#)
[XS8A-0441](#) [859RD04-103R004](#)