

Technical specification:

| | |
|-------------------------------------|---------------------------|
| Rated voltage: IEC 61076-2-101 | 5pos 60 V |
| Current rating: IEC 61076-2-101 | 4 A at 40°C |
| Insulation resistance: IEC 60512 | >=100 MΩ |
| Pollution degree: IEC 60664-1 | 3/2 |
| Degree of protection: IEC 60529 | IP 67, in mated condition |
| Temperature range: IEC 60664-1 | -30°C ... +80°C |
| Mating cycles: IEC 60512-9a | >=100 |

Materials:

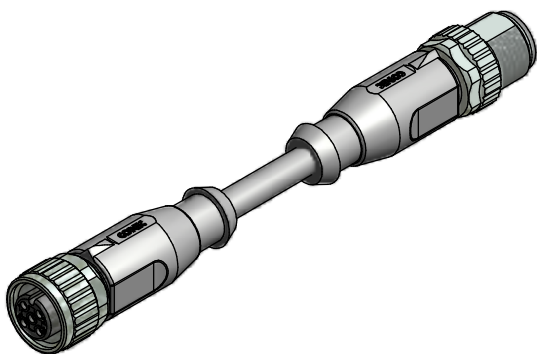
| | |
|-------------------------|----------------------|
| Contact: | CuZn |
| Contact plating: | Nickel, gold plated |
| Contact carrier: | TPU GF, UL 94 |
| Sealing: | FPM |
| Coupling nut/ screw: | GD-Zn, nickel plated |
| Moulding body: | TPU, UL 94, grey |

Installation specification:

| | |
|--------------------------|---|
| Recommended torque: | 0,6 Nm |
| Conec installation tool: | Torque wrench: 36-000200 Insert across flats 13: 36-000220 |

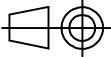

Contact assignment:

- 1) brown
- 2) white
- 3) blue
- 4) black
- 5) green-yellow



| Part no: | Description: | Length L: | Cable: |
|----------|---------------------------------|-----------|--|
| 43-10584 | SAL - 12 - RK5 - RS5 - 0,3 / A1 | 0,3m | PVC, grey, 5x0,34mm ² Cable: 781-A13500 |
| 43-10585 | SAL - 12 - RK5 - RS5 - 0,6 / A1 | 0,6m | |
| 43-10586 | SAL - 12 - RK5 - RS5 - 1,5 / A1 | 1,5m | |
| 43-10587 | SAL - 12 - RK5 - RS5 - 3,0 / A1 | 3m | |
| 43-xxxxx | SAL - 12 - RK5 - RS5 - ... / A1 | x | |

D see data sheet cable

| | | | | | | | | | | |
|---|---|---|--|--|--|------|------|----------------|-------|----------------|
| DO NOT ALTER CAD DRAWING BY HAND | Directive 2002/95/EC RoHS compliant | Index: a 26.01.2011 VF Ä3767 Coupling nut/screw modified, spanner flats added, data sheet modified |  dim. in mm | title: Connecting cable M12x1, female connector axial - male connector axial | | | | | | |
| | | tolerance of cable: L ≤ 4m: L + 40mm L > 4m: L + 1% | | | <table border="1"> <tr> <td>date</td> <td>name</td> </tr> <tr> <td>drawn 08.03.07</td> <td>Fromm</td> </tr> <tr> <td>appd. 08.03.07</td> <td>Mankopf</td> </tr> </table> | date | name | drawn 08.03.07 | Fromm | appd. 08.03.07 |
| | | date | name | | | | | | | |
| | | drawn 08.03.07 | Fromm | | | | | | | |
| appd. 08.03.07 | Mankopf | | | | | | | | | |
| THIS DRAWING MAY NOT BE COPIED OR REPRODUCED IN ANY WAY, AND MAY NOT BE PASSED ON TO A THIRD PARTY WITHOUT WRITTEN PERMISSION. OWNERSHIP AND COPYRIGHT OF CONEC GmbH |  | dwg no: | 43K1A221 | | | | | | | |
| | | part no: | see table | | | | | | | |

X-ON Electronics

Largest Supplier of Electrical and Electronic Components

Click to view similar products for [Sensor Cables / Actuator Cables](#) category:

Click to view products by [CONEC](#) manufacturer:

Other Similar products are found below :

[60963](#) [60964](#) [703000D02F2002](#) [703000D02F300](#) [703001D02F0602](#) [703001D02F1201](#) [703001D02F300](#) [704000D02F120](#) [773032K02F030](#)
[802027107404-1](#) [802027213811-1](#) [804001A09M150](#) [805001A09M0502](#) [84914-0235](#) [84914-0237](#) [885030A09M020](#) [1200651332](#)
[1200651713](#) [1200660844](#) [1200660845](#) [1200661173](#) [1200680071](#) [1200720053](#) [1200720081](#) [1200720099](#) [1200720217](#) [1200800231](#)
[1200860125](#) [1200870123](#) [1200980102](#) [1200650267](#) [1200650298](#) [1200660183](#) [1200660782](#) [1200660849](#) [1200661295](#) [1200661297](#)
[1200661342](#) [1200661343](#) [1200670080](#) [1200670220](#) [1200680331](#) [1200720252](#) [1200720255](#) [1200730184](#) [1200860344](#) [1200870359](#)
[1200870643](#) [1200980008](#) [1200980031](#)