

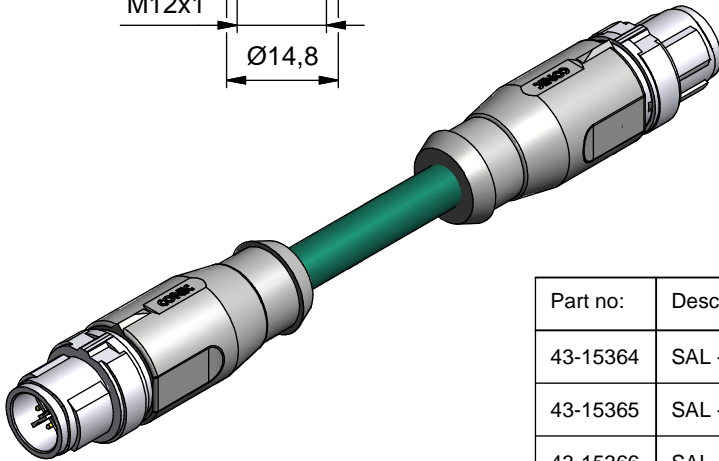
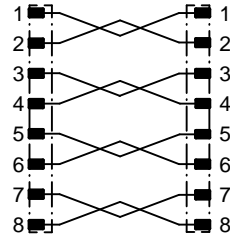
Technical specification:

Rated voltage: IEC 61076-2-109	48 V
Current rating: IEC 61076-2-109	500 mA at 40°C
Transmission properties: ISO IEC 11801	10 Gigabit Ethernet CAT6
Surge voltage category:	II
Pollution degree: IEC 60664-1	3
Degree of protection: IEC 60529	IP 67, in mated condition
Temperature range: IEC 60664-1	-25°C ... +85°C
Mating cycles: IEC 60512-9a	>=100

Materials:

Contact:	CuSn
Contact plating:	Nickel, gold plated
Contact carrier:	PPA
Coupling screw:	GD-Zn, nickel plated
Moulding body:	TPU, UL 94, grey

Contact assignment:



Part no:	Description:	Length L:	Cable:
43-15364	SAL - 12X - RS8.8 - RS8.8 / 1 / GG	1m	TPU, water blue (RAL 5021), 4x2xAWG26/7; S-FTP Kabel: 781-GG180T
43-15365	SAL - 12X - RS8.8 - RS8.8 / 2 / GG	2m	
43-15366	SAL - 12X - RS8.8 - RS8.8 / 5 / GG	5m	
43-15367	SAL - 12X - RS8.8 - RS8.8 / 10 / GG	10m	
43-xxxxx	SAL - 12X - RS8.8 - RS8.8 / ... / GG	x	

D see data sheep cable

DO NOT ALTER CAD DRAWING BY HAND Directive 2002/95/EC RoHS compliant	dim. in mm		title: Connecting cable, male connector M12x1 X-coded		
					date name
	tolerance of cable: L ≤ 4m: L + 40mm L > 4m: L + 1%		drawn	29.09.11	Kniesburgers
	general tolerance: 0 ± 0,50mm 0,0 ± 0,25mm 0,00 ± 0,10mm		appd.	05.10.11	Mankopf
	THIS DRAWING MAY NOT BE COPIED OR REPRODUCED IN ANY WAY, AND MAY NOT BE PASSED ON TO A THIRD PARTY WITHOUT WRITTEN PERMISSION. OWNERSHIP AND COPYRIGHT OF CONEC GmbH				dwg no: 43K1A1473
		part no:		see table	

X-ON Electronics

Largest Supplier of Electrical and Electronic Components

Click to view similar products for [Ethernet Cables / Networking Cables](#) category:

Click to view products by [CONEC](#) manufacturer:

Other Similar products are found below :

[73-6670-7](#) [73-6680-15](#) [73-7797-25](#) [MCJB2-10P6Q7-120](#) [84909-0204](#) [1200700174](#) [1200860368](#) [E16A06002M030](#) [E200102-009-S1](#)
[AX105346-EW](#) [MT14-187L](#) [17-103530](#) [ERWPAB3002M005](#) [190-038045-01](#) [NK5EPC18RDY](#) [NK5EPC18VLY](#) [NK5EPC18YLY](#)
[NK5EPC1GRY](#) [NK5EPC4Y](#) [NK5EPC6YLY](#) [NK5EPC8BLY](#) [NK5EPC9YLY](#) [1969343-6](#) [C501100010](#) [C501106002](#) [C501106007](#)
[C501106015](#) [C501106025](#) [C601102010](#) [C601104010](#) [C601106007](#) [C601106015](#) [2142758-2](#) [2168427-2](#) [CAT1106007](#) [21949-1](#) [2J1866A](#)
[RJF SFTP 5E 0500](#) [AX100351](#) [MN14CEC/ST](#) [C501100015](#) [C501106004](#) [C501106010](#) [C5F1108007](#) [C601104004](#) [C601106004](#)
[CA21106004](#) [CA21106010](#) [CA21106015](#) [CA21109007](#)