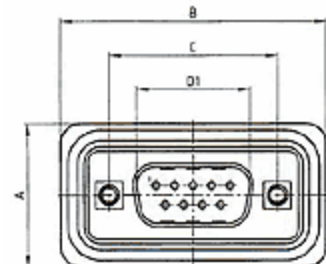
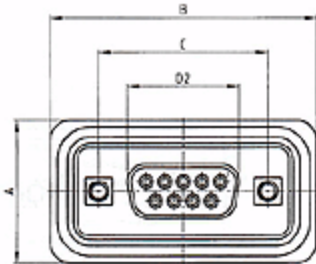


Water resistant D-Sub Connector  
Solder pin straight  
Termination type R

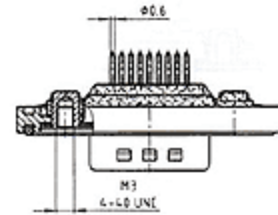
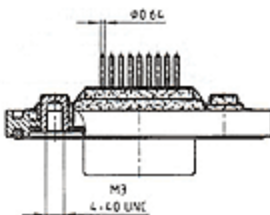
No. of pos.	A +0,2	B +0,2	C	D1 +0,25	D2 -0,25	E -0,30
9	21,10	39,40	25,00 <sup>+0,12</sup> <sub>-0,13</sub>	16,79	16,46	5,62
15	21,10	47,70	33,30 <sup>+0,15</sup> <sub>-0,10</sub>	25,12	24,79	5,62
25	21,10	61,40	47,04 <sup>±0,13</sup>	38,84	38,50	5,49
37	21,10	77,90	63,50 <sup>±0,13</sup>	55,30	54,96	5,49
50	23,90	75,50	61,10 <sup>+0,14</sup> <sub>-0,11</sub>	52,68	52,55	5,49



Mounting Type

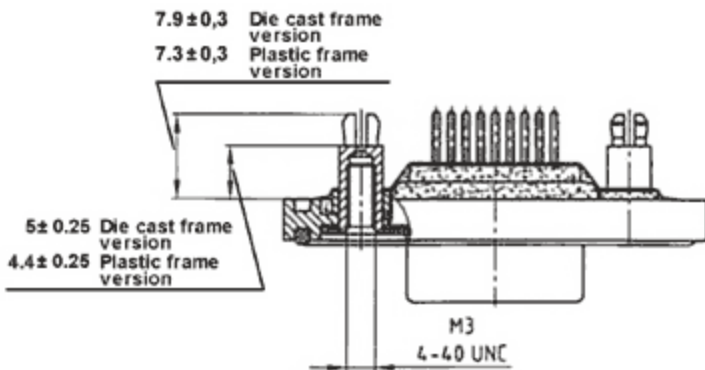
M3 B2

threaded insert 4-40 UNC B3

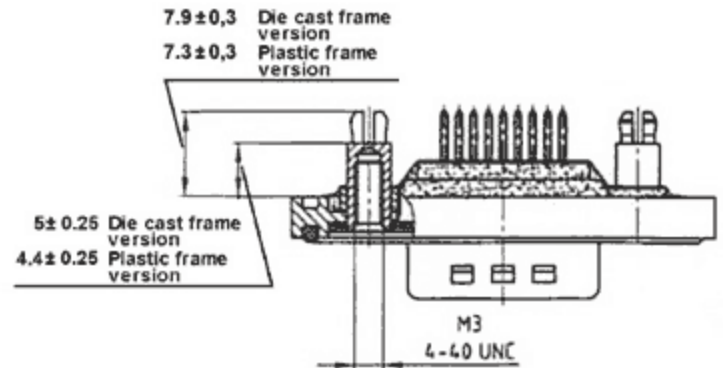


# Mounting Type

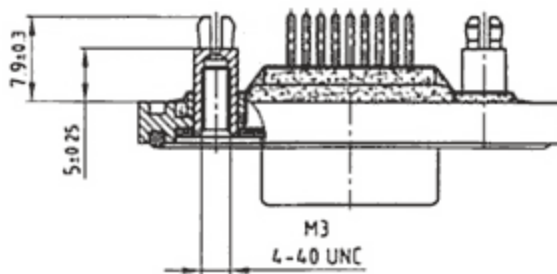
## Clip M3 E1 threaded spacer-clip 4-40 UNC E2



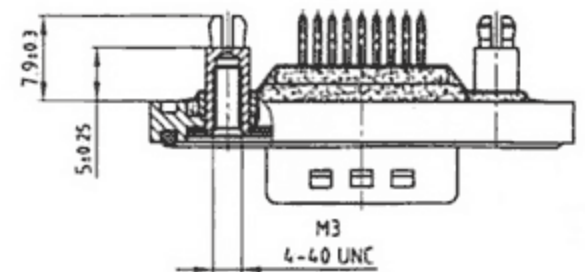
No. of pos. 9-37



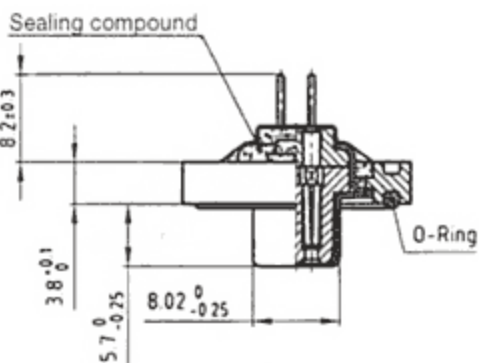
No. of pos. 9-37



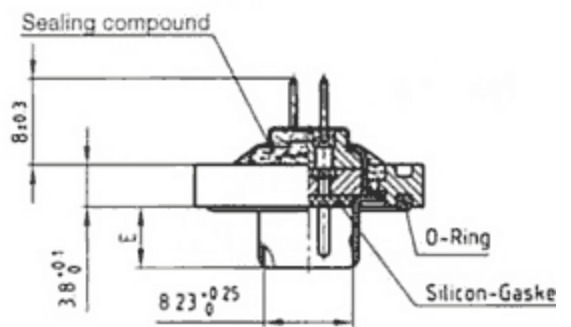
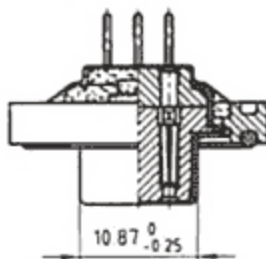
No. of pos. 50



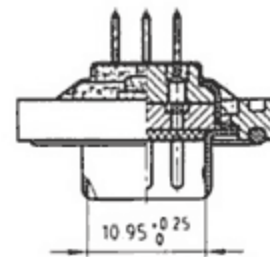
No. of pos. 50



No. of pos. 50



No. of pos. 50



7\* = Shell yellow chromate (plug without ground indent).  
**Die cast frame**, bright nickel plated.  
 8\* = Shell stainless steel (plug with ground indent).  
**Die cast frame**, bright nickel plated  
 (or without frame).  
 RoHS compliant.  
 9\* = Shell stainless steel (plug with ground indent).  
**Black plastic frame**.  
 RoHS compliant.

\* not applicable for STF and HDF series.  
 (gold plated shells are available upon request)

**Contact arrangement**  
 STD = D-Subminiature- standard  
 STF = D-Subminiature- standard, filtered  
 HDD = D-Subminiature- High Density  
 HDF = D-Subminiature- High Density filtered

No. of pos. for STD and STF	No. of pos. for HDD and HDF
09 = 09-pos.	15 = 15-pos.
15 = 15-pos.	25 = 26-pos.
25 = 25-pos.	44 = 44-pos.
37 = 37-pos.	62 = 62-pos.
50 = 50-pos.	78 = 78 pos.

**Contact type**  
 P = Plug connector  
 S = Female connector \*not applicable for STF and HDF

**Plating code for contacts**  
 A = Quality class 3 = 50 Mating cycles  
 B = Quality class 2 = 200 Mating cycles  
 C = Quality class 1 = 500 Mating cycles  
 J = telecom application >= 500 Mating cycles available on request only

**Termination applies for signal contacts only**  
 M = Solder cup \*not applicable for HDF  
 R = PC tail straight  
 T = PC tail angled, .188  
 U = PC tail angled, .276  
 Z = PC tail angled, .463  
 Y = PC tail angled, .220 (only for High Density „HDD“ and „HDF“)

**Capacitance**  
 01 = 180 pF ± 20% Tolerance  
 03 = 370 pF ± 20% Tolerance  
 04 = 830 pF ± 20% Tolerance  
 05 = 1300 pF ± 20% Tolerance  
 99= without filter for STD and HDD \* not available for HDF

**Mounting style**  
 A1 = riveted through hole for cable mount  
 B2 = threaded insert M3  
 B3 = threaded insert 4-40 UNC  
 B4 = threaded lock for front mounting M 3  
 B5 = threaded lock for front mounting 4-40 UNC  
 B7 = threaded lock for front panel mounting UNC 4-40 and with rear stud fixed for panel thickness 3.1 mm  
 B71 = threaded lock for front panel mounting UNC 4-40 and with rear stud fixed for panel thickness 6.4 mm  
 B72 = threaded lock for front panel mounting UNC 4-40 and with rear stud fixed for panel thickness 8.9 mm  
 B73 = threaded lock for front panel mounting UNC 4-40 and with rear stud fixed for panel thickness 12.5 mm  
 E1 = threaded rear spacer-Clip M3, PCB .063, Standard  
 E2 = threaded rear spacer-Clip 4-40 UNC, PCB .063, Standard  
 S1 = metal bracket, threaded insert M3  
 S2 = metal bracket, threaded insert 4-40 UNC  
 S3 = metal bracket, threaded insert M3 and Clip  
 S4 = metal bracket, threaded insert 4-40 UNC and Clip  
 R1 = metal bracket, threaded insert M3  
 R2 = metal bracket, threaded insert 4-40 UNC  
 R3 = metal bracket, threaded insert M3 and Clip  
 R4 = metal bracket, threaded insert 4-40 UNC and Clip

**Standard and special version** 0X = standard

## X-ON Electronics

Largest Supplier of Electrical and Electronic Components

*Click to view similar products for [D-Sub High Density Connectors](#) category:*

*Click to view products by [CONEC](#) manufacturer:*

Other Similar products are found below :

[97-3250-11](#) [163A17089X](#) [164A17199X](#) [164C18629X](#) [L717HDB44POL2R210](#) [L717HDEH15POL2](#) [L777HDE15P](#) [L77HDE15SC309](#)  
[163A16759X](#) [163A16839X](#) [163A16989X](#) [163A17079X](#) [164A17329X](#) [164A18219X](#) [241A16440X](#) [241A16550X](#) [241A16680X](#)  
[241A20810X](#) [241A25740X](#) [CT25-44P](#) [MDBE15PE766](#) [L177HDE15SOL2RM23](#) [L177HRC62SVFM](#) [L177HRCG62S](#)  
[L717HDEG15POL2RM5](#) [L77HDA26SVF](#) [L77HDE15SD1CO](#) [L77HDEH15SOL2RM832](#) [DAMA-15S-WS](#) [443895-3](#) [106698-1](#) [280-](#)  
[012K2C](#) [DBMV13H3SNA197](#) [L177HRB44S](#) [164A17039X](#) [09562004701510](#) [L777HRC62P](#) [241A17960X](#) [164A18269X](#) [280-019S1S9MEN](#)  
[L777HDEG15P](#) [280-018P3S25MEGN](#) [206504-2](#) [40-9415HDSP](#) [40-9515HDSP](#) [2057140-1](#) [C115370-6002](#) [DFMA104SNMBFR172FR022](#)  
[HDC9F200E2S](#) [L717HDAG26POL2RM8](#)