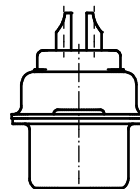
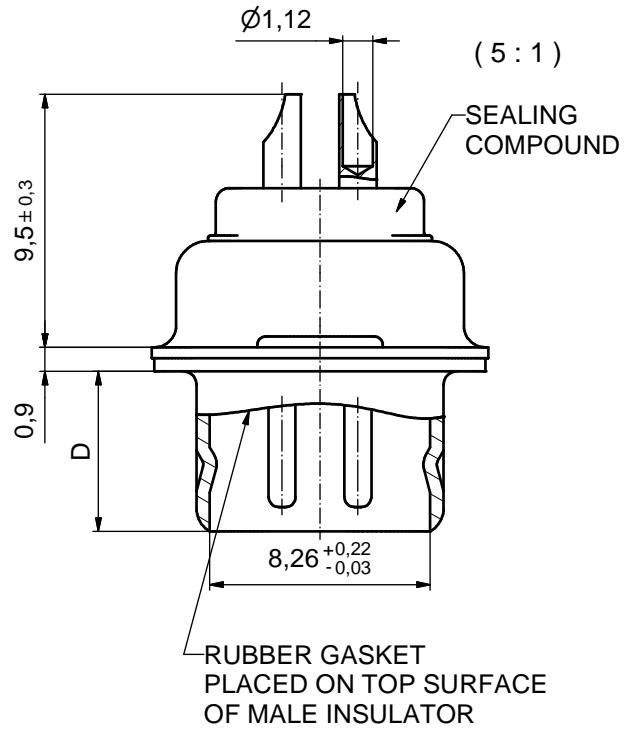
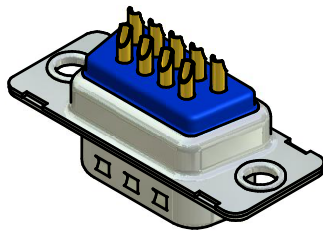
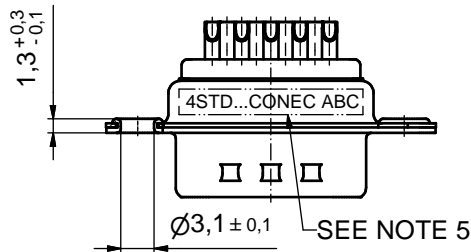
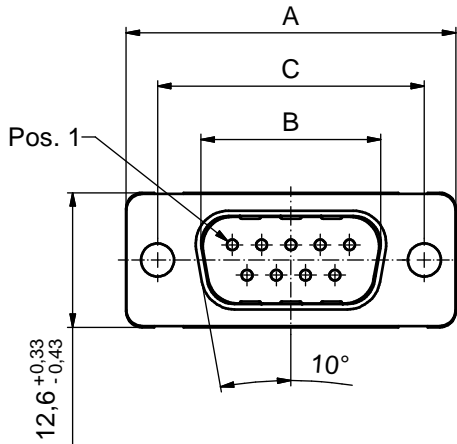


**NOTES:**

1. METALSHELLS: COPPER ALLOY; min. 315µin TIN over 40-80µin NICKEL
2. INSULATORS: PBT GF UL 94 V-0, BLACK
3. CONTACTS: COPPER ALLOY  
PLATING: 30µin HARD GOLD over min. 50µin NICKEL  
SOLDER CUP ACCEPTS CABLE AWG 20
4. RUBBER-GASKET: TPE
5. CONNECTOR IS PART MARKED: PART NO CONEC ABC



(b)

No. of pos.	A	B	C	D	Part-No.
9	30,88 +0,31 -0,45	16,84 +0,2 -0,05	24,99 +0,13 -0,12	6,00 +0,12 -0,18	4STD09PCM99A10X
15	39,22 +0,3 -0,46	25,17 +0,2 -0,05	33,32 +0,13 -0,12	6,00 +0,12 -0,18	4STD15PCM99A10X
25	53,09 +0,33 -0,43	38,86 +0,23 -0,02	47,04 ± 0,13	6,00 -0,3	4STD25PCM99A10X
37	69,39 +0,31 -0,45	55,30 +0,25	63,50 ± 0,13	6,00 -0,3	4STD37PCM99A10X

Directive 2002/95/EC  
"RoHS"  
Compliant

APPROVAL # FREIGABE # DEBLOCAGE # AUTORIZACION # APPROVAL

CUSTOMER APPROVAL DATE:

---

NAME: \_\_\_\_\_ TITLE: \_\_\_\_\_

---

COMPANY NAME: \_\_\_\_\_

APPROVAL # FREIGABE # DEBLOCAGE # AUTORIZACION # APPROVAL

THIS DRAWING MAY NOT BE COPIED OR REPRODUCED IN ANY WAY, AND MAY NOT BE PASSED ON TO A THIRD PARTY WITHOUT WRITTEN PERMISSION. OWNERSHIP AND COPYRIGHT OF CONEC GmbH

DO NOT ALTER CAD DRAWING BY HAND

rev.	description	date	name	tolerance	dim. in mm
1 x c	Ä 3495	10.11.09	Petker	date	name
1 x b	Ä 2179	07.03.05	Lehm.	drawn	11.02.99 Barcinski
a	Origin			appd.	11.02.99 Mickenbecker
				norm	
				d-old	

scale:	2:1 (5:1)
material:	SEE NOTES
title:	<b>D-SUB MALE</b> SOLDER CUP 9-37pos. for installation into water resistant hood
dwg no:	Inventor 10 (C) DIN-A3 sh: 1
part no:	18K11B3A
part no:	SEE TABLE



## X-ON Electronics

Largest Supplier of Electrical and Electronic Components

*Click to view similar products for [D-Sub Standard Connectors](#) category:*

*Click to view products by [CONEC](#) manufacturer:*

Other Similar products are found below :

[56F711-015](#) [012-9507-004](#) [LV242999-142T12](#) [015-0341-000](#) [015-0349-000](#) [015-0372-005](#) [015-0372-008](#) [015-8755-001](#) [020419-0104](#) [012-0467-000](#) [012-0515-000](#) [012-9507-034](#) [012-9507-114](#) [020745-0008](#) [609-25P](#) [M24308/2-23Z](#) [M24308315F](#) [CT2-14S-2PCA34](#) [CT2-18-11PCAU](#) [CT2-36-15SC](#) [CT6-14S-2SC](#) [CT6E14SA7SC](#) [CT6E22-14PC](#) [CT6E22-14PS](#) [CT6E22-22PS](#) [M83513/01-FC](#) [M85049/48-3-2F](#) [6STD09PCM99B70X](#) [6STD09SCM99B30X](#) [6STD09SCT99S40X](#) [6STD15PCT99S40X](#) [6STD15SCM99B30X](#) [6STD15SCT99S40X](#) [6STF09PCM05B70X](#) [7-135760-9](#) [MC11E-10-6SN](#) [747552-3](#) [MD1-21PS](#) [MDM-15SCBRM7-F222](#) [MDM96517-699](#) [MDM96521-744](#) [MDVB1-21SL1](#) [MIK0-1-7SH003](#) [MIKQ6-7SH076](#) [MIKQ7-7PH077](#) [MIKQ7-7PH11](#) [MIKQ7-7PH32](#) [MIKQ9-7PH003](#) [MJSV-28SL61](#) [MKJ4A1F14-55S](#)