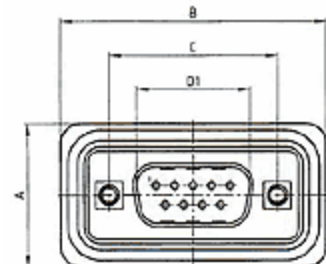
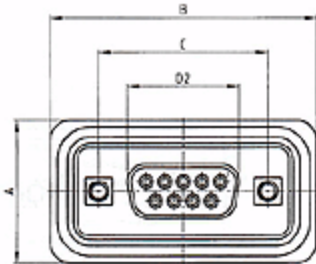


Water resistant D-Sub Connector
Solder pin straight
Termination type R

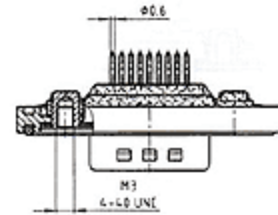
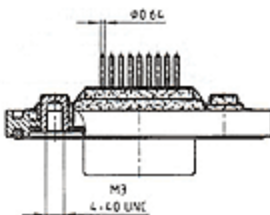
No. of pos.	A +0,2	B +0,2	C	D1 +0,25	D2 -0,25	E -0,30
9	21,10	39,40	25,00 ^{+0,12} _{-0,13}	16,79	16,46	5,62
15	21,10	47,70	33,30 ^{+0,15} _{-0,10}	25,12	24,79	5,62
25	21,10	61,40	47,04 ^{±0,13}	38,84	38,50	5,49
37	21,10	77,90	63,50 ^{±0,13}	55,30	54,96	5,49
50	23,90	75,50	61,10 ^{+0,14} _{-0,11}	52,68	52,55	5,49



Mounting Type

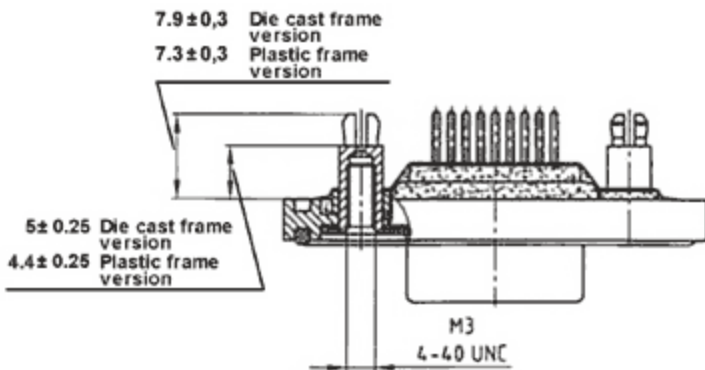
M3 B2

threaded insert 4-40 UNC B3

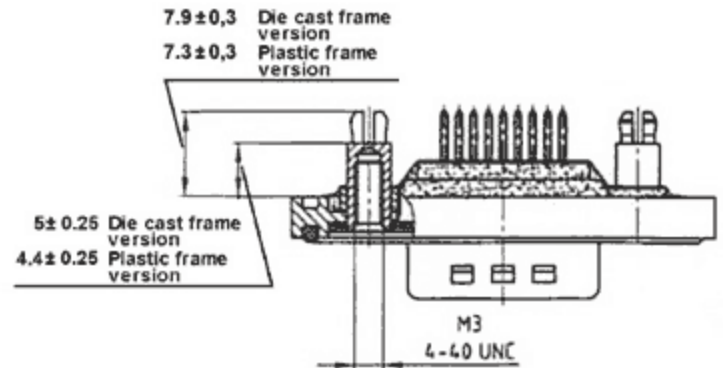


Mounting Type

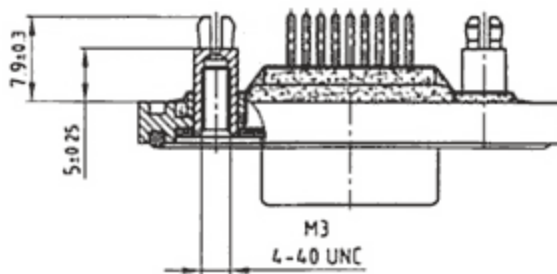
Clip M3 E1 threaded spacer-clip 4-40 UNC E2



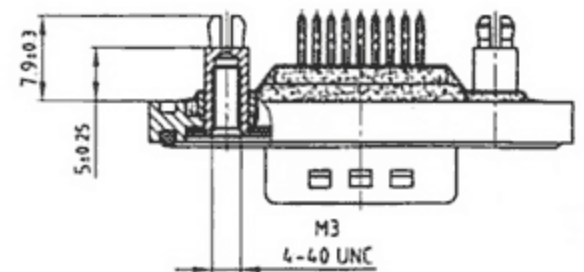
No. of pos. 9-37



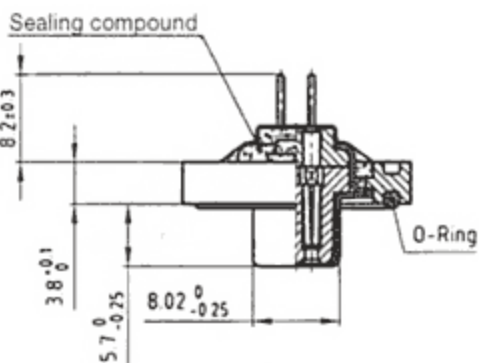
No. of pos. 9-37



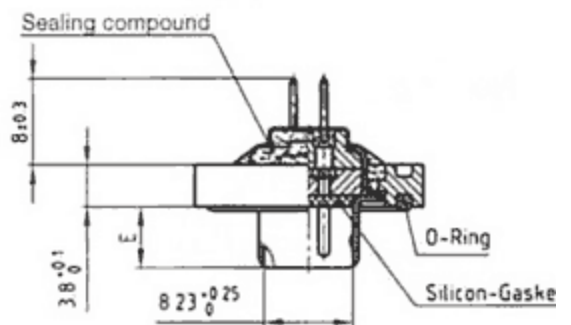
No. of pos. 50



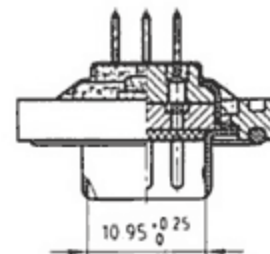
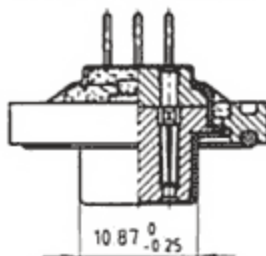
No. of pos. 50



No. of pos. 50



No. of pos. 50



7* = Shell yellow chromate (plug without ground indent).
Die cast frame, bright nickel plated.
 8* = Shell stainless steel (plug with ground indent).
Die cast frame, bright nickel plated
 (or without frame).
 RoHS compliant.
 9* = Shell stainless steel (plug with ground indent).
 Black plastic frame.
 RoHS compliant.

* not applicable for STF and HDF series.
 (gold plated shells are available upon request)

Contact arrangement
 STD = D-Subminiature- standard
 STF = D-Subminiature- standard, filtered
 HDD = D-Subminiature- High Density
 HDF = D-Subminiature- High Density filtered

No. of pos. for STD and STF	No. of pos. for HDD and HDF
09 = 09-pos.	15 = 15-pos.
15 = 15-pos.	25 = 26-pos.
25 = 25-pos.	44 = 44-pos.
37 = 37-pos.	62 = 62-pos.
50 = 50-pos.	78 = 78 pos.

Contact type
 P = Plug connector
 S = Female connector *not applicable for STF and HDF

Plating code for contacts
 A = Quality class 3 = 50 Mating cycles
 B = Quality class 2 = 200 Mating cycles
 C = Quality class 1 = 500 Mating cycles
 J = telecom application >= 500 Mating cycles available on request only

Termination applies for signal contacts only
 M = Solder cup *not applicable for HDF
 R = PC tail straight
 T = PC tail angled, .188
 U = PC tail angled, .276
 Z = PC tail angled, .463
 Y = PC tail angled, .220 (only for High Density „HDD“ and „HDF“)

Capacitance
 01 = 180 pF ± 20% Tolerance
 03 = 370 pF ± 20% Tolerance
 04 = 830 pF ± 20% Tolerance
 05 = 1300 pF ± 20% Tolerance
 99= without filter for STD and HDD * not available for HDF

Mounting style
 A1 = riveted through hole for cable mount
 B2 = threaded insert M3
 B3 = threaded insert 4-40 UNC
 B4 = threaded lock for front mounting M 3
 B5 = threaded lock for front mounting 4-40 UNC
 B7 = threaded lock for front panel mounting UNC 4-40 and with rear stud fixed for panel thickness 3.1 mm
 B71 = threaded lock for front panel mounting UNC 4-40 and with rear stud fixed for panel thickness 6.4 mm
 B72 = threaded lock for front panel mounting UNC 4-40 and with rear stud fixed for panel thickness 8.9 mm
 B73 = threaded lock for front panel mounting UNC 4-40 and with rear stud fixed for panel thickness 12.5 mm
 E1 = threaded rear spacer-Clip M3, PCB .063, Standard
 E2 = threaded rear spacer-Clip 4-40 UNC, PCB .063, Standard
 S1 = metal bracket, threaded insert M3
 S2 = metal bracket, threaded insert 4-40 UNC
 S3 = metal bracket, threaded insert M3 and Clip
 S4 = metal bracket, threaded insert 4-40 UNC and Clip
 R1 = metal bracket, threaded insert M3
 R2 = metal bracket, threaded insert 4-40 UNC
 R3 = metal bracket, threaded insert M3 and Clip
 R4 = metal bracket, threaded insert 4-40 UNC and Clip

Standard- and special version 0X = standard

X-ON Electronics

Largest Supplier of Electrical and Electronic Components

Click to view similar products for [D-Sub Standard Connectors](#) category:

Click to view products by [CONEC](#) manufacturer:

Other Similar products are found below :

[56F711-015](#) [012-9507-004](#) [LV242999-142T12](#) [015-0341-000](#) [015-0349-000](#) [015-0372-005](#) [015-0372-008](#) [015-8755-001](#) [020419-0104](#) [012-0467-000](#) [012-0515-000](#) [012-9507-034](#) [012-9507-114](#) [020745-0008](#) [609-25P](#) [M24308/2-23Z](#) [CT2-14S-2PCA34](#) [CT2-18-11PCAU](#) [CT2-36-15SC](#) [CT6-14S-2SC](#) [CT6E14SA7SC](#) [CT6E22-14PC](#) [CT6E22-14PS](#) [CT6E22-22PS](#) [M83513/01-FC](#) [M85049/48-3-2F](#) [6STD09PCM99B70X](#) [6STD09SCM99B30X](#) [6STD09SCT99S40X](#) [6STD15PCT99S40X](#) [6STD15SCM99B30X](#) [6STD15SCT99S40X](#) [6STF09PCM05B70X](#) [7-135760-9](#) [MC11E-10-6SN](#) [747552-3](#) [MD1-21PS](#) [MDM-15SCBRM7-F222](#) [MDM96517-699](#) [MDM96521-744](#) [MDVB1-21SL1](#) [MIK0-1-7SH003](#) [MIKQ6-7SH076](#) [MIKQ7-7PH077](#) [MIKQ7-7PH11](#) [MIKQ7-7PH32](#) [MIKQ9-7PH003](#) [MJSV-28SL61](#) [MKJ4A1F14-55S](#) [8-135760-3](#)