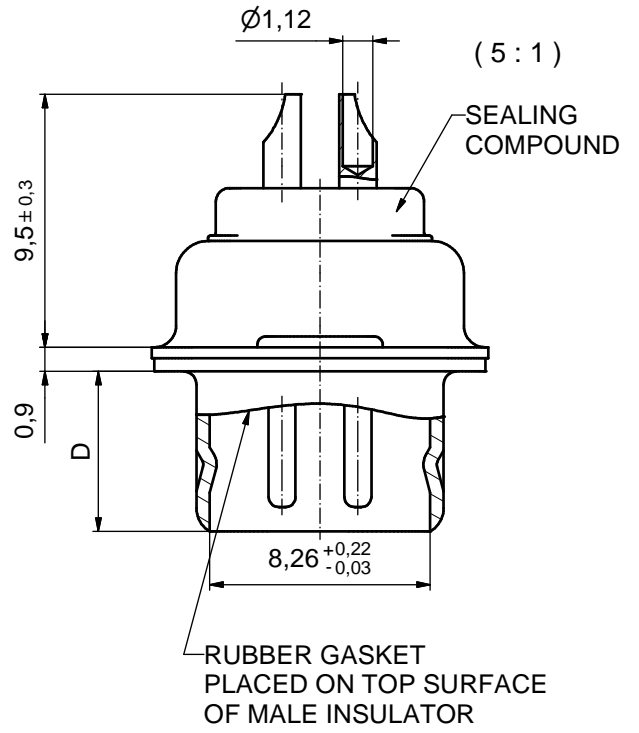
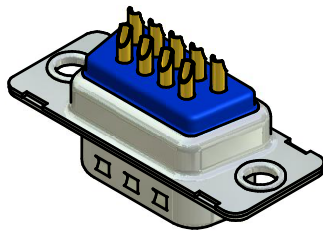
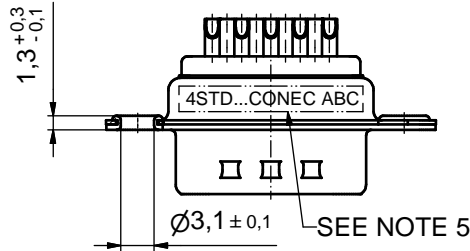
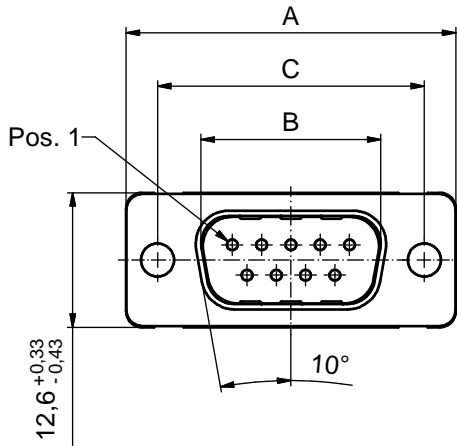


NOTES:

1. METALSHELLS: COPPER ALLOY; min. 315µin TIN over 40-80µin NICKEL
2. INSULATORS: PBT GF UL 94 V-0, BLACK
3. CONTACTS: COPPER ALLOY
PLATING: 30µin HARD GOLD over min. 50µin NICKEL
SOLDER CUP ACCEPTS CABLE AWG 20
4. RUBBER-GASKET: TPE
5. CONNECTOR IS PART MARKED: PART NO CONEC ABC



(b)

No. of pos.	A	B	C	D	Part-No.
9	30,88 ^{+0,31} _{-0,45}	16,84 ^{+0,2} _{-0,05}	24,99 ^{+0,13} _{-0,12}	6,00 ^{+0,12} _{-0,18}	4STD09PCM99A10X
15	39,22 ^{+0,3} _{-0,46}	25,17 ^{+0,2} _{-0,05}	33,32 ^{+0,13} _{-0,12}	6,00 ^{+0,12} _{-0,18}	4STD15PCM99A10X
25	53,09 ^{+0,33} _{-0,43}	38,86 ^{+0,23} _{-0,02}	47,04 ± 0,13	6,00 _{-0,3}	4STD25PCM99A10X
37	69,39 ^{+0,31} _{-0,45}	55,30 ^{+0,25}	63,50 ± 0,13	6,00 _{-0,3}	4STD37PCM99A10X

Directive 2002/95 EC
"RoHS"
Compliant

APPROVAL # FREIGABE # DEBLOCAGE # AUTORIZACION # APPROVAL

CUSTOMER APPROVAL DATE:

NAME: _____ TITLE: _____

COMPANY NAME: _____

APPROVAL # FREIGABE # DEBLOCAGE # AUTORIZACION # APPROVAL

THIS DRAWING MAY NOT BE COPIED OR REPRODUCED IN ANY WAY AND MAY NOT BE PASSED ON TO A THIRD PARTY WITHOUT WRITTEN PERMISSION. OWNERSHIP AND COPYRIGHT OF CONEC GmbH

DO NOT ALTER CAD DRAWING BY HAND

rev.	description	date	name	tolerance	dim. in mm
1 x c	Ä 3495	10.11.09	Petker	date	name
1 x b	Ä 2179	07.03.05	Lehm.	drawn	11.02.99
a	Origin			appd.	11.02.99
				norm	
				d-old	

scale: 2:1 (5:1)

material: SEE NOTES

title: **D-SUB MALE**
SOLDER CUP 9-37pos.
for installation into water resistant hood

dwg no: Inventor 10 (C) DIN-A3 sh: 1

part no: SEE TABLE

CONEC

X-ON Electronics

Largest Supplier of Electrical and Electronic Components

Click to view similar products for [D-Sub Standard Connectors](#) category:

Click to view products by [CONEC](#) manufacturer:

Other Similar products are found below :

[56F711-015](#) [012-9507-004](#) [LV242999-142T12](#) [015-0341-000](#) [015-0349-000](#) [015-0372-005](#) [015-0372-008](#) [015-8755-001](#) [020419-0104](#) [012-0467-000](#) [012-0515-000](#) [012-9507-034](#) [012-9507-114](#) [020745-0008](#) [609-25P](#) [M24308315F](#) [CT2-14S-2PCA34](#) [CT2-18-11PCAU](#) [CT2-36-15SC](#) [CT6-14S-2SC](#) [CT6E14SA7SC](#) [CT6E22-14PC](#) [CT6E22-14PS](#) [CT6E22-22PS](#) [M83513/01-FC](#) [M85049/48-3-2F](#) [6STD09PCM99B70X](#) [6STD09SCM99B30X](#) [6STD09SCT99S40X](#) [6STD15PCT99S40X](#) [6STD15SCM99B30X](#) [6STD15SCT99S40X](#) [6STF09PCM05B70X](#) [7-135760-9](#) [MC11E-10-6SN](#) [747552-3](#) [MD1-21PS](#) [MDM-15SCBRM7-F222](#) [MDM96517-699](#) [MDM96521-744](#) [MDVB1-21SL1](#) [MIK0-1-7SH003](#) [MIKQ6-7SH076](#) [MIKQ7-7PH077](#) [MIKQ7-7PH11](#) [MIKQ7-7PH32](#) [MIKQ9-7PH003](#) [MJSV-28SL61](#) [MKJ4A1F14-55S](#) [8-135760-3](#)