

# VALVE CONNECTORS DT-SERIES

## Nomenclature

DT06 - 2 S L - A / K1 / 0.75 / 2m

### Type

DT06 = Housing for socket contacts  
DT04 = Housing for plug contacts

### No of pos.

2 = 2-pos.  
3 = 3-pos.  
4 = 4-pos.  
6 = 6-pos.  
8 = 8-pos. A-coding  
12 = 12-pos. A-coding

### Type

S = Socket contacts/Plug housing  
P = Plug contacts/Receptacle housing

### Cable style

= Cable  
L = Single wire (only 2-pos. version)

### Termination protection tube

= Standard  
G = Thread M12x1

### Protection circuit

A = without protection circuit  
B = with protection circuit Suppressor diode max. 12 V AC/24 V DC  
E = with protection circuit Varistor max. 24 V AC/30 V DC  
F = with protection circuit Freewheeling diode max. 32 V DC  
G = with protection circuit Suppressor diode max. 22 V AC/32 V DC

### Material cable

K1 = TPU, black, highflexible, halogenfree, UL  
A1 = PVC single wire

### Wire cross section

0.75 = 0.75 mm<sup>2</sup>  
other types upon request

### Cable length

2m = 2 meter  
5m = 5 meter  
10m = 10 meter

# VALVE CONNECTORS DT-SERIES

## Product specification


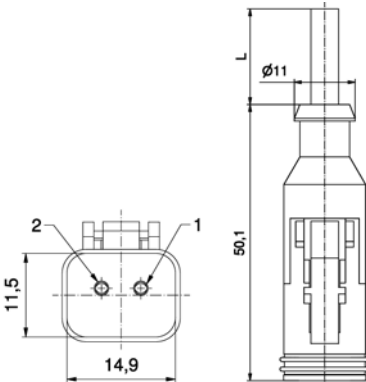
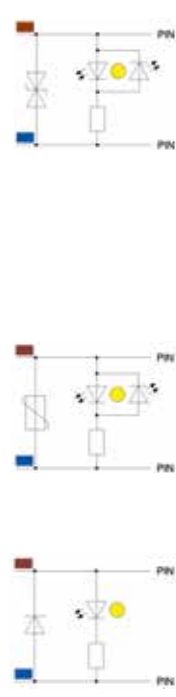
<b>Basic material</b>	
Contact	Copper alloy
Contact plating	Ni
Contact carrier	Thermoplast
Overmould	TPU, UL94, translucent
Sealing	Silicone
<b>Technical Data</b>	
Rated voltage	with LED and protection circuit [B]: max. 12 V AC/ 24 V DC with LED and protection circuit [E]: max. 24 V AC/30 V DC with LED and protection circuit [F]: max. 32 V DC with LED and protection circuit [G]: max. 22 V AC/32 V DC without protection circuit: 10 - 230 AC/DC
Current rating	max. 8 A at 40 °C [2-, 3-pos.] 7 A at 40 °C [4-pos.] 6 A at 40 °C [6-, 8-pos.] 5 A at 40 °C [12-pos.]
Degree of protection	IP67 / IP69K in mated condition
Temperature range connectors	-40 °C to +85 °C
Temperature range cable	Fixed installation: -40 °C to +80 °C Flexible installation: -25 °C to +80 °C
Temperature range single wire	Fixed installation: -40 °C to +105 °C Flexible installation: -10 °C to +105 °C
Terminal cross section	0.75 mm <sup>2</sup> /AWG 18
Housing	Deutsch DT06/DT04
Protection circuit	Suppressor diode + 2x LED yellow Varistor + 2x LED yellow Freewheeling diode + LED yellow

**VALVE CONNECTORS**  
DT-Series

**DT06, 2-pos.**  
Socket contacts

**LED-protection circuit**


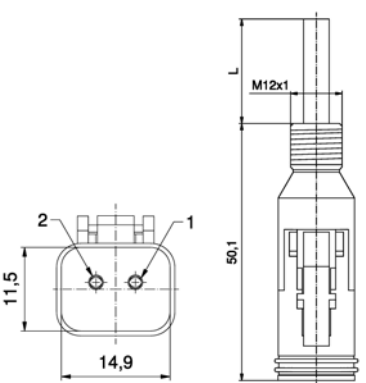
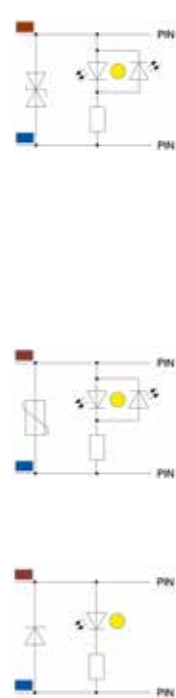
**Contact assignment**

No. of poles	Type of protection circuit	Rated voltage [A]	Current rating [A]	Cable length = L [m]	Cable quality	Wire cross section [mm <sup>2</sup> ]	Description	Part No.
2	B	12 V AC / 24 V DC	8	2	PUR	2 x 0,75	DT06-2S-B/K1/0.75/2m	55-00376
				5			DT06-2S-B/K1/0.75/5m	55-00377
				10			DT06-2S-B/K1/0.75/10m	55-00378
	G	8 - 22 V AC / 32 V DC	4	2	DT06-2S-G/K1/0.75/2m	55-00760		
				5	DT06-2S-G/K1/0.75/5m	55-00761		
				10	DT06-2S-G/K1/0.75/10m	55-00762		
	E	8 - 24 V AC / 30 V DC	4	2	DT06-2S-E/K1/0.75/2m	55-00687		
				5	DT06-2S-E/K1/0.75/5m	55-00688		
				10	DT06-2S-E/K1/0.75/10m	55-00689		
	F	10 - 32 V DC	4	2	DT06-2S-F/K1/0.75/2m	55-00690		
				5	DT06-2S-F/K1/0.75/5m	55-00691		
				10	DT06-2S-F/K1/0.75/10m	55-00692		

Types of protection circuit DT06 (2-, 3-pos.):  
 • B/G= Suppressordiode + 2x LED yellow  
 • E= Varistor + 2x LED yellow  
 • F= Freewheeling Diode + LED yellow  
 Technical information look at page 56 + 57

**LED-protection circuit, M12 thread**

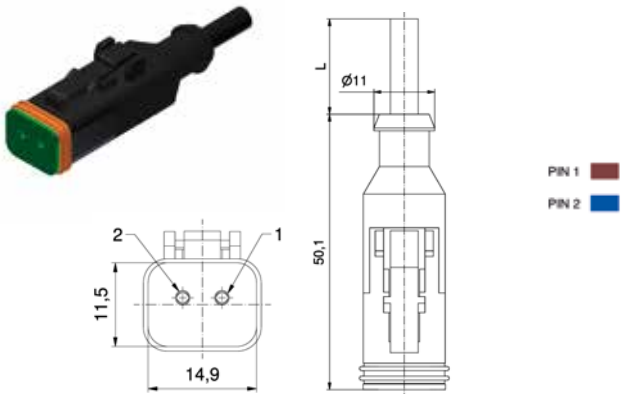
2	B	12 V AC / 24 V DC	8	2	PUR	2 x 0,75	DT06-2SG-B/K1/0.75/2m	55-00379
				5			DT06-2SG-B/K1/0.75/5m	55-00380
				10			DT06-2SG-B/K1/0.75/10m	55-00381
	G	8 - 22 V AC / 32 V DC	4	2	DT06-2SG-G/K1/0.75/2m	55-00763		
				5	DT06-2SG-G/K1/0.75/5m	55-00764		
				10	DT06-2SG-G/K1/0.75/10m	55-00765		
	E	8 - 24 V AC / 30 V DC	4	2	DT06-2SG-E/K1/0.75/2m	55-00700		
				5	DT06-2SG-E/K1/0.75/5m	55-00701		
				10	DT06-2SG-E/K1/0.75/10m	55-00702		
	F	10 - 32 V DC	4	2	DT06-2SG-F/K1/0.75/2m	55-00703		
				5	DT06-2SG-F/K1/0.75/5m	55-00704		
				10	DT06-2SG-F/K1/0.75/10m	55-00705		

**VALVE CONNECTORS**  
DT-Series

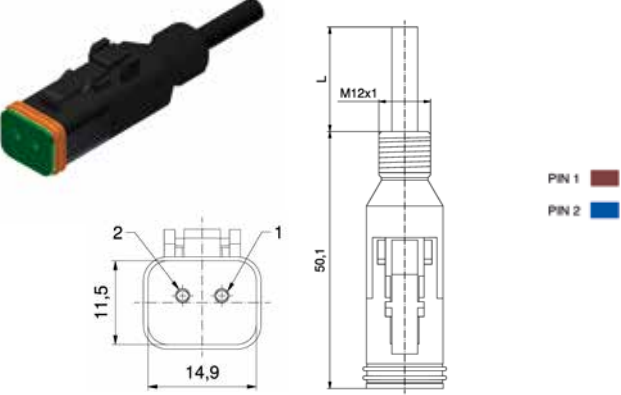
**DT06, 2-pos.**  
Socket contacts

Without LED-protection circuit

Contact assignment

		No. of poles	Rated voltage [A]	Current rating [A]	Cable length = L [m]	Cable quality	Wire cross section [mm <sup>2</sup> ]	Description	Part No.
	2	10 - 230 V AC/ DC	8	5	PUR	2 x 0,75	DT06-2S-A/K1/0.75/2m	55-00388	
							DT06-2S-A/K1/0.75/5m	55-00389	
							DT06-2S-A/K1/0.75/10m	55-00390	

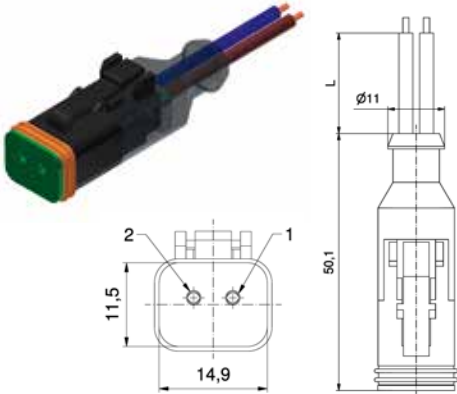
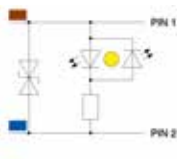
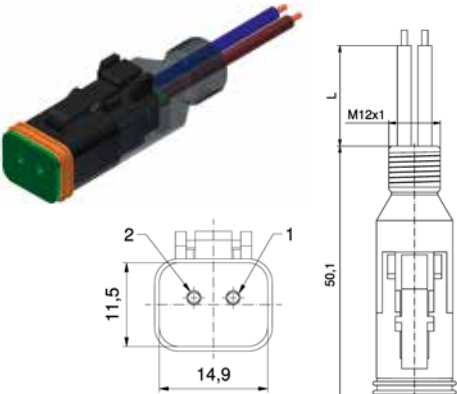
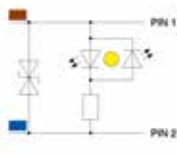
Without LED-protection circuit, M12 thread

	2	10 - 230 V AC/ DC	8	5	PUR	2 x 0,75	DT06-2SG-A/K1/0.75/2m	55-00391
							DT06-2SG-A/K1/0.75/5m	55-00392
							DT06-2SG-A/K1/0.75/10m	55-00393

**VALVE CONNECTORS**  
DT-Series

DT06, 2-pos.  
Socket contacts, single wire

Type of protection circuit DT06 2-pos. single wire:  
• B= Suppressordiode + 2x LED yellow  
Additional types of protection circuit upon request  
Technical information look at page 56 + 57

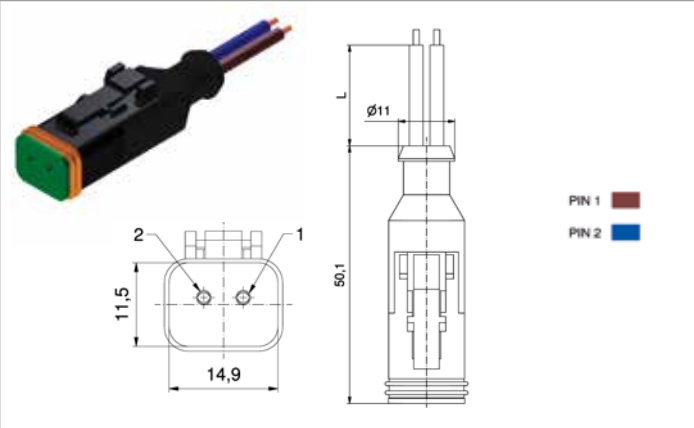
LED-protection circuit		Contact assignment	No. of poles	Type of protection circuit	Rated voltage [A]	Current rating [A]	Wire length = L [m]	Wire quality	Wire cross section [mm <sup>2</sup> ]	Description	Part No.
		2	B	12 V AC / 24 V DC	8	2	PVC	2 x 0,75	DT06-2SL-B/A1/0.75/0,5m	55-00560	
									DT06-2SL-B/A1/0.75/2m	55-00482	
									DT06-2SL-B/A1/0.75/5m	55-00561	
<b>LED-protection circuit, M12 thread</b>											
		2	B	12 V AC / 24 V DC	8	2	PVC	2 x 0,75	DT06-2SLG-B/A1/0.75/0,5m	55-00562	
									DT06-2SLG-B/A1/0.75/2m	55-00483	
									DT06-2SLG-B/A1/0.75/5m	55-00563	

**VALVE CONNECTORS**  
DT-Series

DT06, 2-pos.  
Socket contacts, single wire

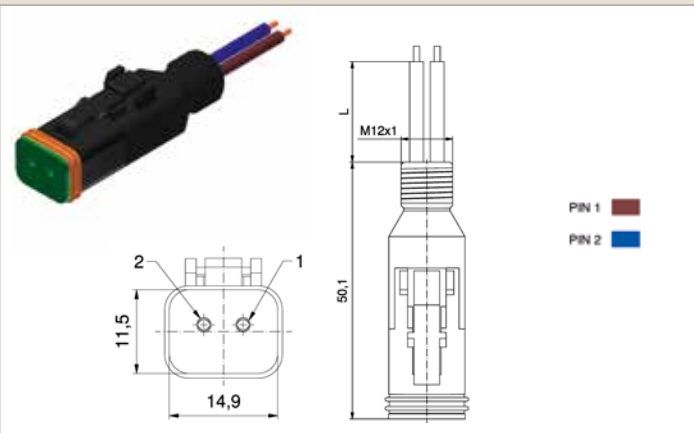
Without LED-protection circuit

Contact assignment



No. of poles	Rated voltage [A]	Current rating [A]	Wire length = L [m]	Wire quality	Wire cross section [mm <sup>2</sup> ]	Description	Part No.
2	10 - 230 V AC/ DC	8	2	PVC	2 x 0,75	DT06-2SL-A/A1/0.75/0,5m	55-00564
						DT06-2SL-A/A1/0.75/2m	55-00565
						DT06-2SL-A/A1/0.75/5m	55-00566

Without LED-protection circuit, M12 thread

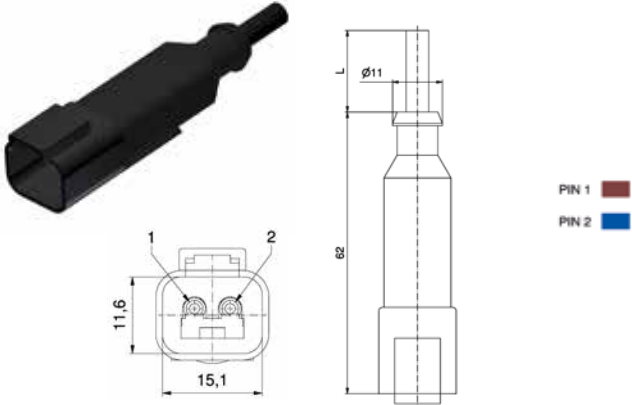
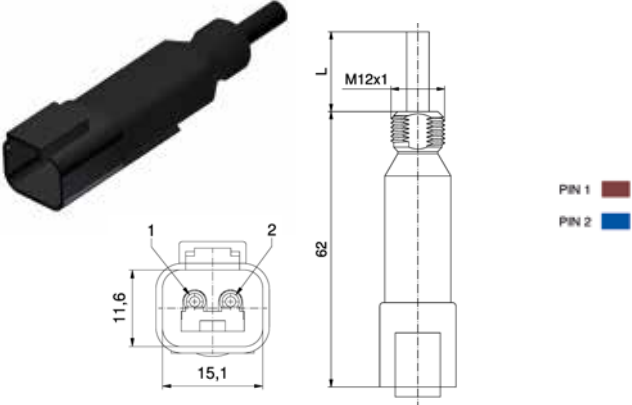


2	10 - 230 V AC/ DC	8	2	PVC	2 x 0,75	DT06-2SLG-A/A1/0.75/0,5m	55-00567
						DT06-2SLG-A/A1/0.75/2m	55-00568
						DT06-2SLG-A/A1/0.75/5m	55-00569

**VALVE CONNECTORS**  
DT-Series

**DT04, 2-pos.**  
**Plug contacts**

Protection circuits DT04 (2-, 3-pos.) upon request  
Technical information look at page 56 + 57

Without LED-protection circuit		Contact assignment	No. of poles	Rated voltage [A]	Current rating [A]	Cable length = L [m]	Cable quality	Wire cross section [mm <sup>2</sup> ]	Description	Part No.
	2	10 - 230 V AC/ DC	8	5	PUR	2 x 0,75	2	DT04-2P-A/K1/0.75/2m	55-00448	
							5	DT04-2P-A/K1/0.75/5m	55-00449	
							10	DT04-2P-A/K1/0.75/10m	55-00450	
<b>Without LED-protection circuit, M12 thread</b>										
	2	10 - 230 V AC/ DC	8	5	PUR	2 x 0,75	2	DT04-2PG-A/K1/0.75/2m	55-00451	
							5	DT04-2PG-A/K1/0.75/5m	55-00452	
							10	DT04-2PG-A/K1/0.75/10m	55-00453	


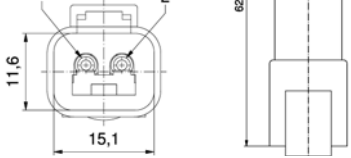


**VALVE CONNECTORS**  
DT-Series

DT04, 2-pos.  
Plug contacts, single wire


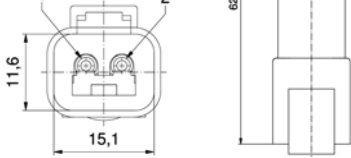


Protection circuits DT04 (2-, 3-pos.) upon request  
Technical information look at page 56 + 57

Without LED-protection circuit

Contact assignment

		No. of poles	Rated voltage [A]	Current rating [A]	Wire length = L [m]	Wire quality	Wire cross section [mm <sup>2</sup> ]	Description	Part No.
  <p>PIN 1 </p> <p>PIN 2 </p>	2	10 - 230 V AC/ DC	8	2	PVC	2 x 0,75	DT04-2PL-A/A1/0.75/0,5m	55-00576	
							DT04-2PL-A/A1/0.75/2m	55-00577	
							DT04-2PL-A/A1/0.75/5m	55-00578	

Without LED-protection circuit, M12 thread

  <p>PIN 1 </p> <p>PIN 2 </p>	2	10 - 230 V AC/ DC	8	2	PVC	2 x 0,75	DT04-2PLG-A/A1/0.75/0,5m	55-00579
							DT04-2PLG-A/A1/0.75/2m	55-00580
							DT04-2PLG-A/A1/0.75/5m	55-00581


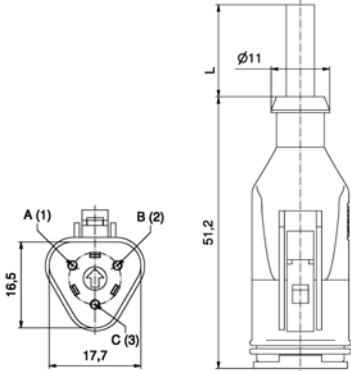
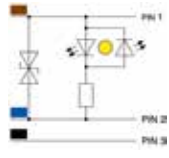
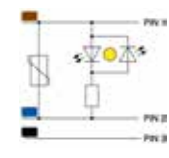
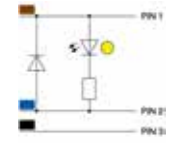



**VALVE CONNECTORS**  
DT-Series


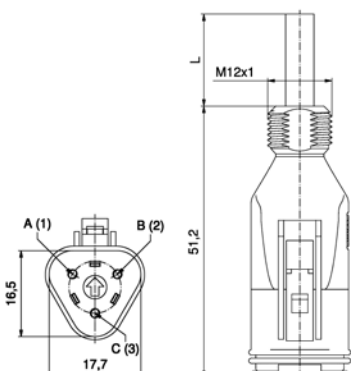
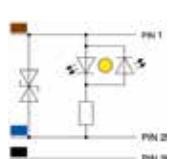
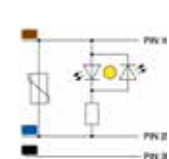
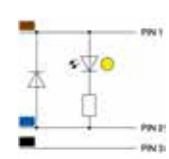

**DT06, 3-pos.**  
Socket contacts

**LED-protection circuit**

**Contact assignment**

LED-protection circuit		Contact assignment		No. of poles	Type of protection circuit	Rated voltage [A]	Current rating [A]	Cable length = L [m]	Cable quality	Wire cross section [mm <sup>2</sup> ]	Description	Part No.														
 	   	3	B	12 V AC / 24 V DC	8	2	5	2	PUR	3 x 0,75	DT06-3S-B/K1/0.75/2m	55-00850														
											DT06-3S-B/K1/0.75/5m	55-00851														
											DT06-3S-B/K1/0.75/10m	55-00852														
											DT06-3S-G/K1/0.75/2m	55-00772														
											DT06-3S-G/K1/0.75/5m	55-00773														
											DT06-3S-G/K1/0.75/10m	55-00774														
			E	8 - 22 V AC / 32 V DC	4	2	5	10	2	5	10	PUR	3 x 0,75	DT06-3S-E/K1/0.75/2m	55-00720											
														DT06-3S-E/K1/0.75/5m	55-00721											
														DT06-3S-E/K1/0.75/10m	55-00722											
														F	10 - 32 V DC	4	2	5	10	2	5	10	PUR	3 x 0,75	DT06-3S-F/K1/0.75/2m	55-00751
																									DT06-3S-F/K1/0.75/5m	55-00752
																									DT06-3S-F/K1/0.75/10m	55-00753

**LED-protection circuit, M12 thread**

 	   	3	B	12 V AC / 24 V DC	8	2	5	2	PUR	3 x 0,75	DT06-3SG-B/K1/0.75/2m	55-00853														
											DT06-3SG-B/K1/0.75/5m	55-00854														
											DT06-3SG-B/K1/0.75/10m	55-00855														
											G	8 - 22 V AC / 32 V DC	4	2	5	10	2	5	10	PUR	3 x 0,75	DT06-3SG-G/K1/0.75/2m	55-00775			
																						DT06-3SG-G/K1/0.75/5m	55-00776			
																						DT06-3SG-G/K1/0.75/10m	55-00777			
			E	8 - 24 V AC / 30 V DC	4	2	5	10	2	5	10	PUR	3 x 0,75	DT06-3SG-E/K1/0.75/2m	55-00723											
														DT06-3SG-E/K1/0.75/5m	55-00724											
														DT06-3SG-E/K1/0.75/10m	55-00725											
														F	10 - 32 V DC	4	2	5	10	2	5	10	PUR	3 x 0,75	DT06-3SG-F/K1/0.75/2m	55-00754
																									DT06-3SG-F/K1/0.75/5m	55-00755
																									DT06-3SG-F/K1/0.75/10m	55-00756

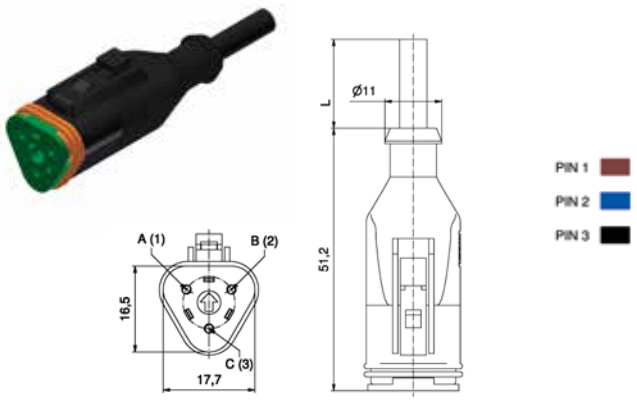
Types of protection circuit DT06 (2-, 3-pos.):  
 • B/G= Suppressordiode + 2x LED yellow  
 • E= Varistor + 2x LED yellow  
 • F= Freewheeling Diode + LED yellow  
 Technical information look at page 56 + 57

**VALVE CONNECTORS**  
DT-Series

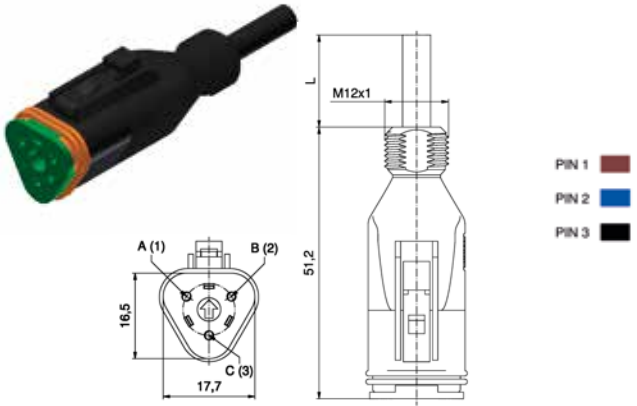
**DT06, 3-pos.**  
Socket contacts

Without LED-protection circuit

Contact assignment

		No. of poles	Rated voltage [A]	Current rating [A]	Cable length = L [m]	Cable quality	Wire cross section [mm <sup>2</sup> ]	Description	Part No.
	3	10 - 230 V AC/ DC	8	5	PUR	3 x 0,75	2	DT06-3S-A/K1/0.75/2m	55-00826
							5	DT06-3S-A/K1/0.75/5m	55-00827
							10	DT06-3S-A/K1/0.75/10m	55-00828

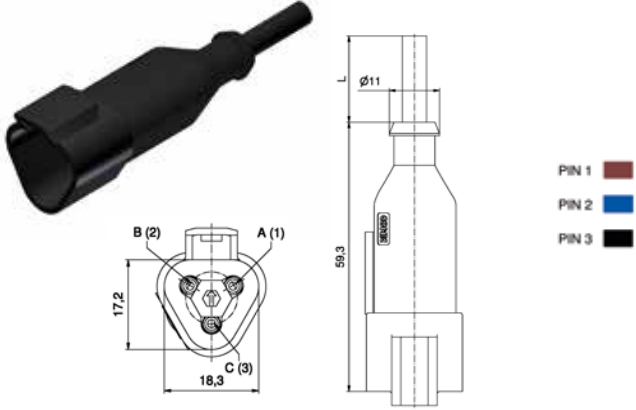
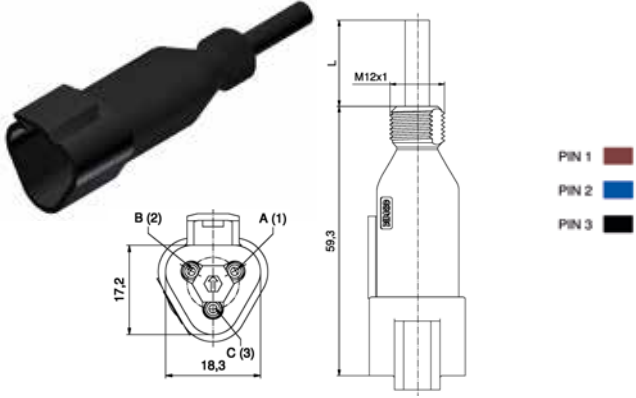
Without LED-protection circuit, M12 thread

	3	10 - 230 V AC/ DC	8	5	PUR	3 x 0,75	2	DT06-3SG-A/K1/0.75/2m	55-00829
							5	DT06-3SG-A/K1/0.75/5m	55-00830
							10	DT06-3SG-A/K1/0.75/10m	55-00831

**VALVE CONNECTORS**  
DT-Series

**DT04, 3-pos.**  
**Plug contacts**

Protection circuits DT04 (2-, 3-pos.) upon request  
Technical information look at page 56 + 57

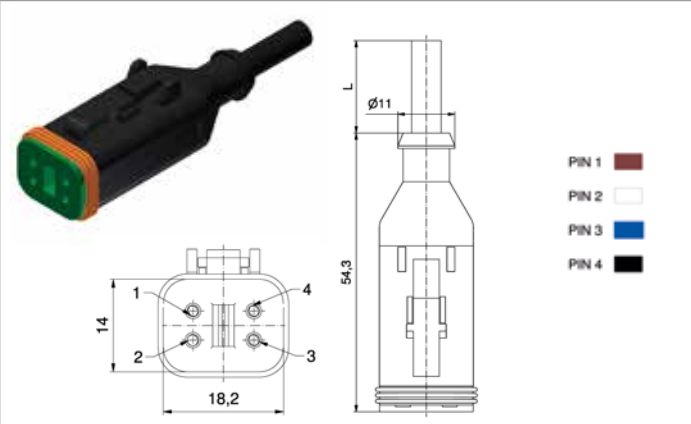
Without LED-protection circuit		Contact assignment		No. of poles	Rated voltage [A]	Current rating [A]	Cable length = L [m]	Cable quality	Wire cross section [mm <sup>2</sup> ]	Description	Part No.
			3	10 - 230 V AC/ DC	8	5	PUR	3 x 0,75	DT04-3P-A/K1/0.75/2m	55-00832	
						5			DT04-3P-A/K1/0.75/5m	55-00833	
						10			DT04-3P-A/K1/0.75/10m	55-00834	
<b>Without LED-protection circuit, M12 thread</b>											
			3	10 - 230 V AC/ DC	8	5	PUR	3 x 0,75	DT04-3PG-A/K1/0.75/2m	55-00835	
						5			DT04-3PG-A/K1/0.75/5m	55-00836	
						10			DT04-3PG-A/K1/0.75/10m	55-00837	

**VALVE CONNECTORS**  
DT-Series

DT06, 4-pos.  
Socket contacts

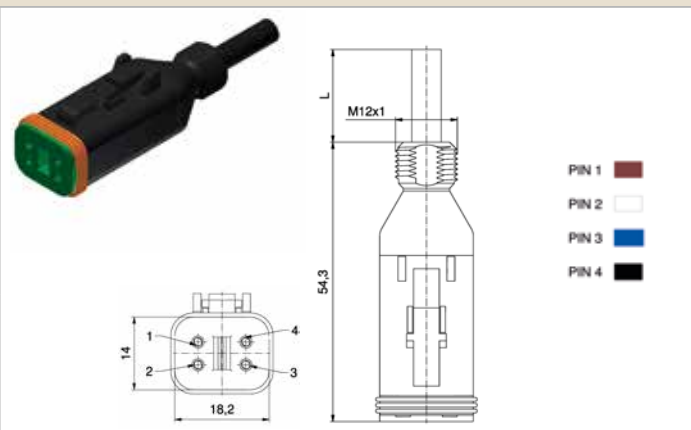
Without LED-protection circuit

Contact assignment



No. of poles	Rated voltage [A]	Current rating [A]	Cable length = L [m]	Cable quality	Wire cross section [mm <sup>2</sup> ]	Description	Part No.
4	10 - 230 V AC/ DC	7	2	PUR	4 x 0,75	DT06-4S-A/K1/0.75/2m	55-00838
			5			DT06-4S-A/K1/0.75/5m	55-00839
			10			DT06-4S-A/K1/0.75/10m	55-00840

Without LED-protection circuit, M12 thread



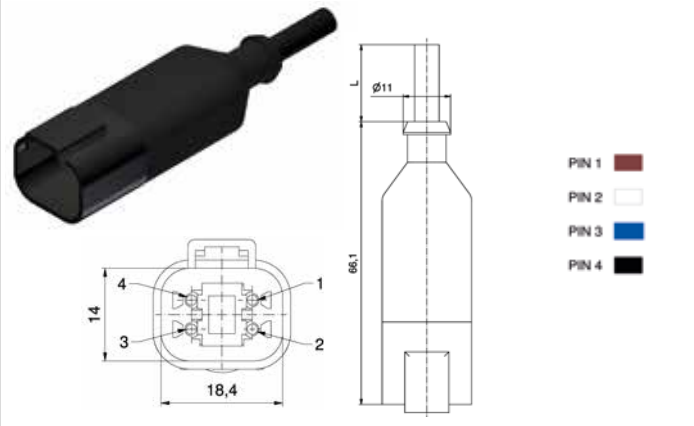
4	10 - 230 V AC/ DC	7	2	PUR	4 x 0,75	DT06-4SG-A/K1/0.75/2m	55-00841
			5			DT06-4SG-A/K1/0.75/5m	55-00842
			10			DT06-4SG-A/K1/0.75/10m	55-00843

**VALVE CONNECTORS**  
DT-Series

DT04, 4-pos.  
Plug contacts

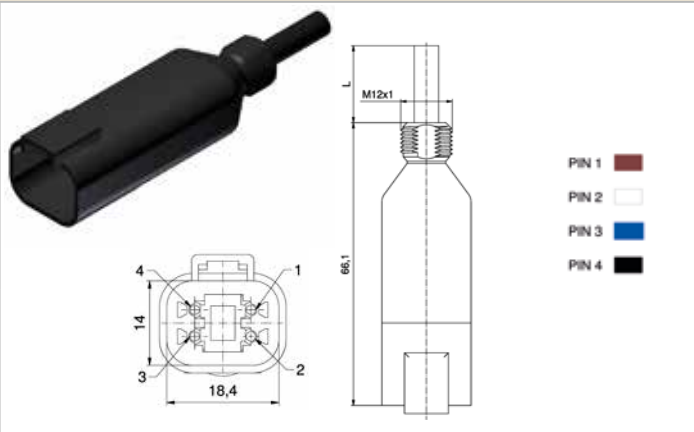
Without LED-protection circuit

Contact assignment



No. of poles	Rated voltage [A]	Current rating [A]	Cable length = L [m]	Cable quality	Wire cross section [mm <sup>2</sup> ]	Description	Part No.
4	10 - 230 V AC/ DC	7	2	PUR	4 x 0,75	DT04-4P-A/K1/0.75/2m	55-00844
			5			DT04-4P-A/K1/0.75/5m	55-00845
			10			DT04-4P-A/K1/0.75/10m	55-00846

Without LED-protection circuit, M12 thread



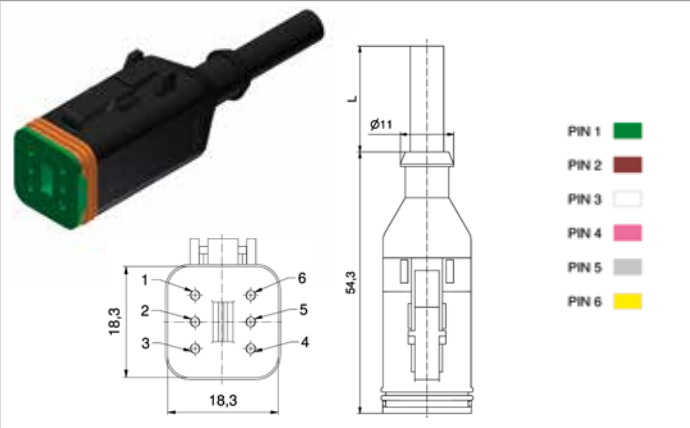
4	10 - 230 V AC/ DC	7	2	PUR	4 x 0,75	DT04-4PG-A/K1/0.75/2m	55-00847
			5			DT04-4PG-A/K1/0.75/5m	55-00848
			10			DT04-4PG-A/K1/0.75/10m	55-00849

**VALVE CONNECTORS**  
DT-Series

**DT06, 6-pos.**  
Socket contacts

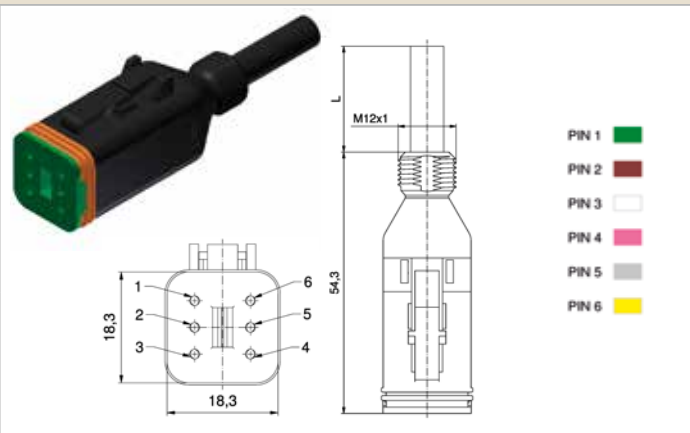
Without LED-protection circuit

Contact assignment



No. of poles	Rated voltage [A]	Current rating [A]	Cable length = L [m]	Cable quality	Wire cross section [mm <sup>2</sup> ]	Description	Part No.
6	10 - 230 V AC/ DC	6	2	PUR	6 x 0,75	DT06-6S-A/K1/0.75/2m	55-00501
			5			DT06-6S-A/K1/0.75/5m	55-00502
			10			DT06-6S-A/K1/0.75/10m	55-00503

Without LED-protection circuit, M12 thread



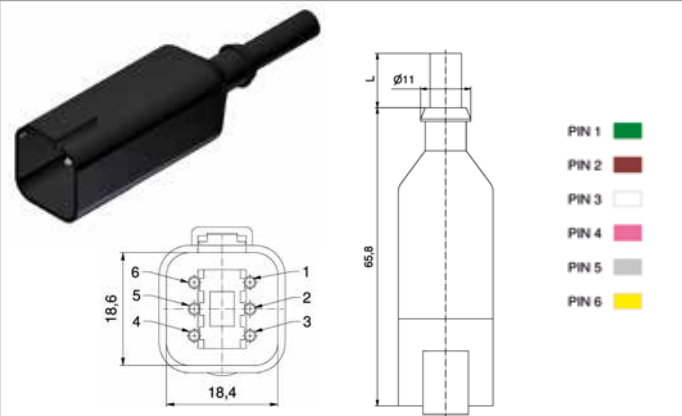
6	10 - 230 V AC/ DC	6	2	PUR	6 x 0,75	DT06-6SG-A/K1/0.75/2m	55-00504
			5			DT06-6SG-A/K1/0.75/5m	55-00505
			10			DT06-6SG-A/K1/0.75/10m	55-00506

**VALVE CONNECTORS**  
DT-Series

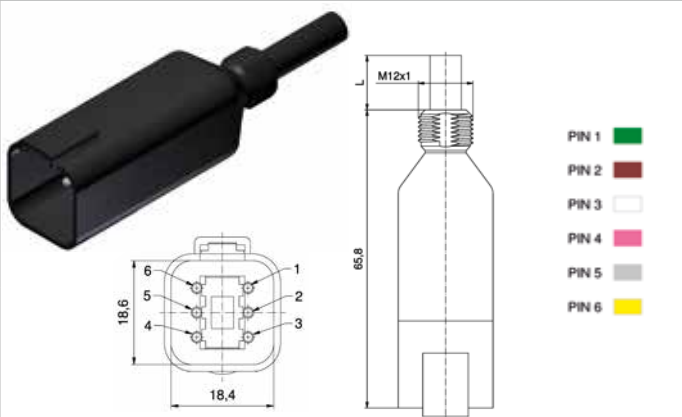
**DT04, 6-pos.**  
**Plug contacts**

Without LED-protection circuit

Contact assignment

		No. of poles	Rated voltage [A]	Current rating [A]	Cable length = L [m]	Cable quality	Wire cross section [mm <sup>2</sup> ]	Description	Part No.
	6	10 - 230 V AC/ DC	6	5	PUR	6 x 0,75	2	DT04-6P-A/K1/0.75/2m	55-00507
							5	DT04-6P-A/K1/0.75/5m	55-00508
							10	DT04-6P-A/K1/0.75/10m	55-00509

Without LED-protection circuit, M12 thread

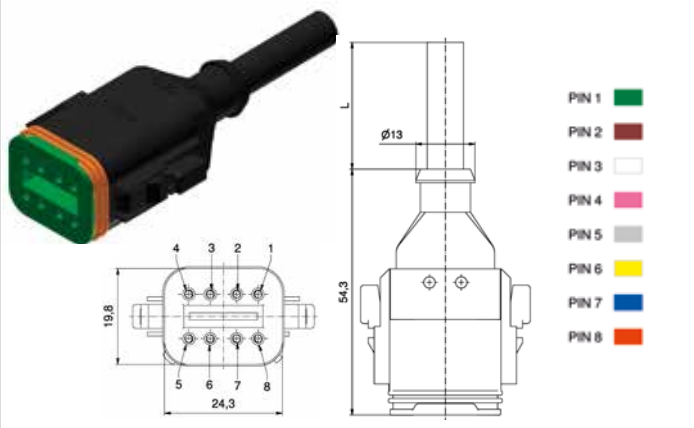
	6	10 - 230 V AC/ DC	6	5	PUR	6 x 0,75	2	DT04-6PG-A/K1/0.75/2m	55-00510
							5	DT04-6PG-A/K1/0.75/5m	55-00511
							10	DT04-6PG-A/K1/0.75/10m	55-00512

**VALVE CONNECTORS**  
DT-Series

**DT06, 8-pos.**  
Socket contacts

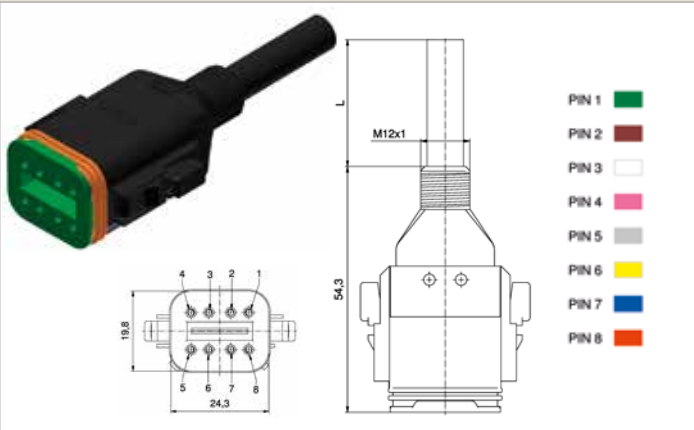
Without LED-protection circuit

Contact assignment



No. of poles	Rated voltage [A]	Current rating [A]	Cable length = L [m]	Cable quality	Wire cross section [mm <sup>2</sup> ]	Description	Part No.
8	10 - 230 V AC/ DC	6	5	PUR	8 x 0,75	DT06-8AS-A/K1/0.75/2m	55-00526
						DT06-8AS-A/K1/0.75/5m	55-00527
						DT06-8AS-A/K1/0.75/10m	55-00528

Without LED-protection circuit, M12 thread



8	10 - 230 V AC/ DC	6	5	PUR	8 x 0,75	DT06-8ASG-A/K1/0.75/2m	55-00532
						DT06-8ASG-A/K1/0.75/5m	55-00533
						DT06-8ASG-A/K1/0.75/10m	55-00534



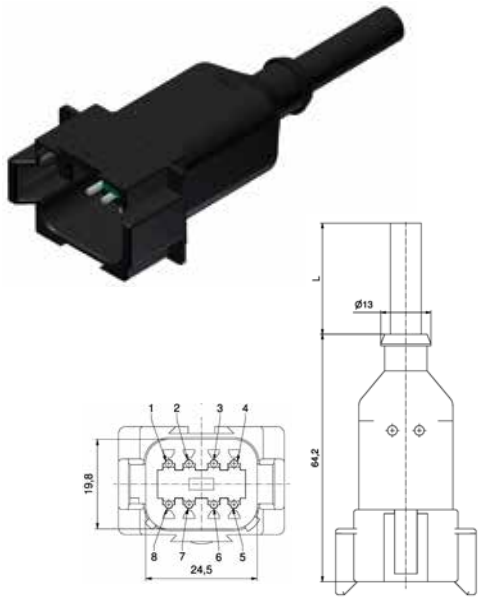
**VALVE CONNECTORS**  
DT-Series

DT04, 8-pos.  
Plug contacts

Without LED-protection circuit

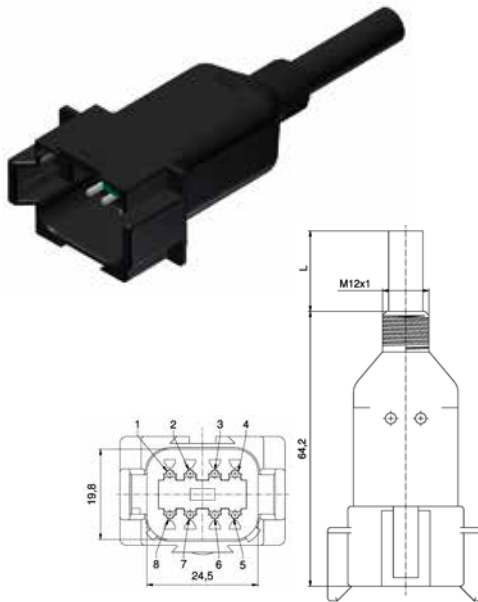
Contact assignment

No. of poles	Rated voltage [A]	Current rating [A]	Cable length = L [m]	Cable quality	Wire cross section [mm <sup>2</sup> ]	Description	Part No.
8	10 - 230 V AC/ DC	6	5	PUR	8 x 0,75	DT04-8AP-A/K1/0.75/2m	55-00529
						DT04-8AP-A/K1/0.75/5m	55-00530
						DT04-8AP-A/K1/0.75/10m	55-00531



Without LED-protection circuit, M12 thread

8	10 - 230 V AC/ DC	6	5	PUR	8 x 0,75	DT04-8APG-A/K1/0.75/2m	55-00535
						DT04-8APG-A/K1/0.75/5m	55-00536
						DT04-8APG-A/K1/0.75/10m	55-00537

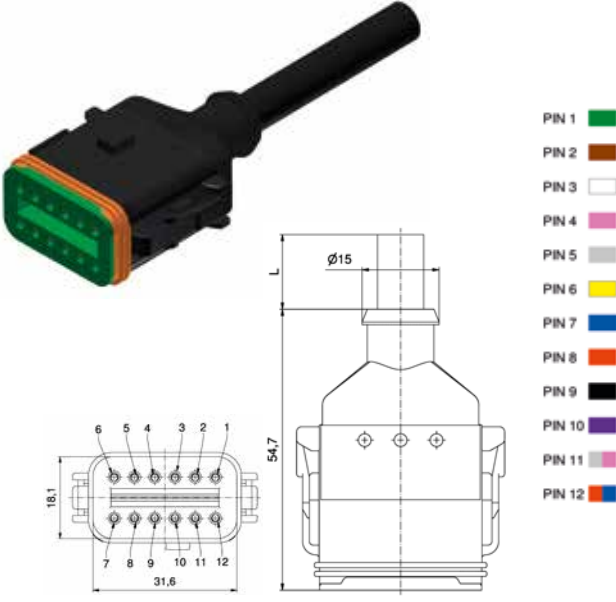


**VALVE CONNECTORS**  
DT-Series

**DT06, 12-pos.**  
Socket contacts

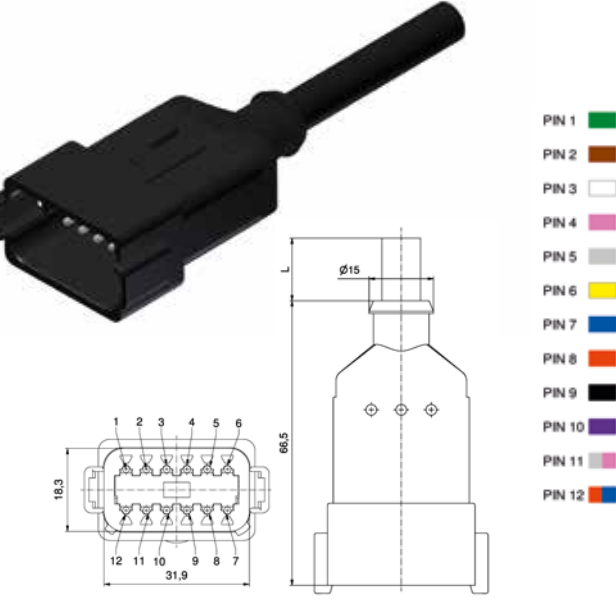
Without LED-protection circuit

Contact assignment

		No. of poles	Rated voltage [A]	Current rating [A]	Cable length = L [m]	Cable quality	Wire cross section [mm <sup>2</sup> ]	Description	Part No.
		12	10 - 230 V AC/ DC	5	2	PUR	12 x 0,75	DT06-12AS-A/K1/0.75/2m	55-00553
					5			DT06-12AS-A/K1/0.75/5m	55-00554
					10			DT06-12AS-A/K1/0.75/10m	55-00555

**DT04, 12-pos.**  
Plug contacts

Without LED-protection circuit

		No. of poles	Rated voltage [A]	Current rating [A]	Cable length = L [m]	Cable quality	Wire cross section [mm <sup>2</sup> ]	Description	Part No.
		12	10 - 230 V AC/ DC	5	2	PUR	12 x 0,75	DT04-12AP-A/K1/0.75/2m	55-00556
					5			DT04-12AP-A/K1/0.75/5m	55-00557
					10			DT04-12AP-A/K1/0.75/10m	55-00558

## X-ON Electronics

Largest Supplier of Electrical and Electronic Components

*Click to view similar products for [Specialised Cables category](#):*

*Click to view products by [CONEC manufacturer](#):*

Other Similar products are found below :

[603PT6](#) [603SS6L](#) [604PT6](#) [604SS6](#) [706000D02F200](#) [910640](#) [1200740077](#) [1200740114](#) [AC172](#) [ACL-SSI-4](#) [R88ACAKA0015SRE](#)  
[R88ACAWL005SDE](#) [R88ACRGD0R3C](#) [1300150047](#) [1300660036](#) [1302262116](#) [1300150149](#) [1300220020](#) [1300220104](#) [1300220119](#)  
[1301240492](#) [1301810221](#) [1365323-1](#) [1613055](#) [176P12](#) [1971465-2](#) [20240400003](#) [20240400013](#) [2085828-1](#) [20886510030](#) [2-22733-8](#) [22733-](#)  
[8](#) [CB-5PSBC-RS](#) [CB-704EC-RS](#) [CB-BATACC-RS](#) [CB-JST3PSW-RS](#) [CB-M12COM-R10](#) [25AC84](#) [25AK84X](#) [25AU25](#) [25FN82](#) [3011-03](#)  
[AC118](#) [ACL-HHS-1M\(CAT5E\)](#) [SSL009PC2DC012N](#) [FC2A-KC6C](#) [2085828-2](#) [20886510150](#) [CCS-FCB-5](#) [CCSFCBF2](#)