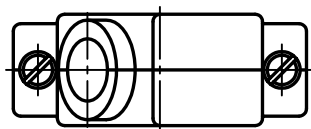
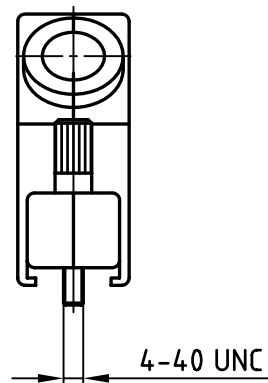
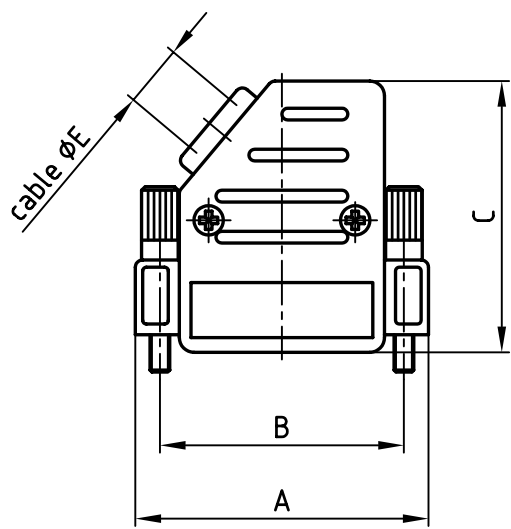


used for: D-SUB



Directive 2002/95/EC  
"RoHS"  
Compliant

No. of pos.	A	B	C	D	ØE	Part No:
9	31.5	25.0	37.0	15.2	8.5	600X57009X
15	40.0	33.3	37.0	15.2	8.5	600X57015X
25	53.5	47.0	41.0	15.2	11.0	600X57025X
37	70.0	63.5	41.0	15.2	11.0	600X57037X
50	67.8	61.1	41.0	18.2	12.0	600X57050X

APPROVAL # FREIGABE # DEBLOCAGE # AUTORIZACION # APPROVAL

CUSTOMER APPROVAL DATE:

NAME: TITLE:

COMPANY NAME:

APPROVAL # FREIGABE # DEBLOCAGE # AUTORIZACION # APPROVAL

THIS DRAWING MAY NOT BE COPIED OR REPRODUCED IN ANY WAY, AND MAY NOT BE PASSED ON TO A THIRD PARTY WITHOUT WRITTEN PERMISSION.  
OWNERSHIP AND COPYRIGHT OF CONEC GmbH  
DO NOT ALTER CAD DRAWING BY HAND

rev.	description	date	name

tolerance

dim. in mm

2002 date name

drawn 28.02. Schmidt

appd. 28.02. E. Mickenbecker

norm DIN41652

d-old KAT116QA

**CONEC**<sup>®</sup>

scale:	1:1
material:	ABS UL 94 V-0 Metallized
title:	<b>Plastic hood</b> side cable exit, with jack screws 9 - 50 pos.
dwg no:	AutoCAD 2000
part no:	SEE TABLE
	DIN-A 4 sh: 1/1

## X-ON Electronics

Largest Supplier of Electrical and Electronic Components

*Click to view similar products for [D-Sub Backshells](#) category:*

*Click to view products by [CONEC](#) manufacturer:*

Other Similar products are found below :

[M85049/6-38N](#) [M85049/86-12N03](#) [M85049/90-13P03](#) [70.350.0636.4](#) [70.350.2435.1](#) [72.350.1035.2](#) [72.352.2435.1](#) [73.359.4035.3](#) [829472-1](#)  
[PCS-E20W](#) [970-015-040R011](#) [970-025-040R011](#) [971-009-030R121](#) [971-009-040R011](#) [971-015-040R011](#) [1437013-9](#) [1484402-8](#) [156-3025-](#)  
[EX](#) [16-500800](#) [165X02659X](#) [165X03329A](#) [165X03399A](#) [165X10259X](#) [165X11759X](#) [165X11889X](#) [165X13019X](#) [165X13029X](#)  
[165X13169X](#) [165X13199X](#) [165X13239X](#) [165X13389X](#) [165X13489X](#) [165X14219X](#) [165X14449X](#) [165X17409X](#) [165X17439X](#)  
[165X17569X](#) [165X17599X](#) [165X17609X](#) [165X17889X](#) [165X17979X](#) [L171373](#) [971-025-030R121](#) [300X10989X](#) [165X02609X](#)  
[165X02689X](#) [165X04219A](#) [165X10469X](#) [165X11279X](#) [165X11789X](#)