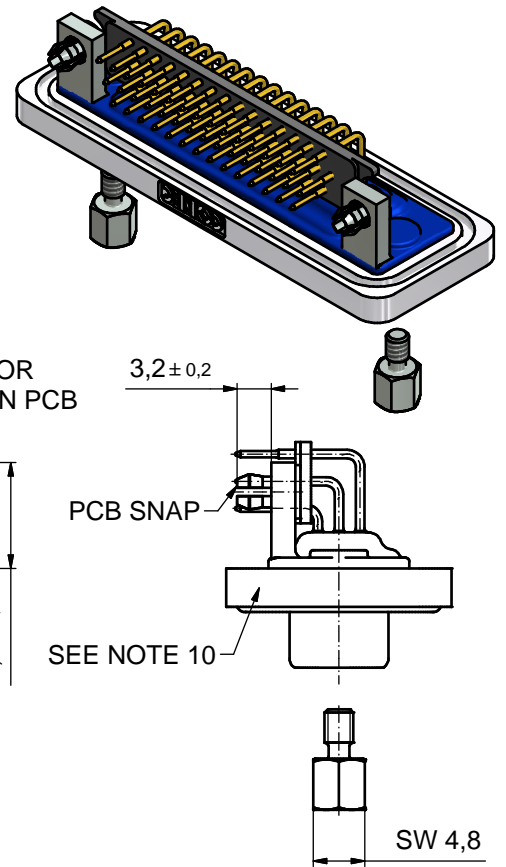
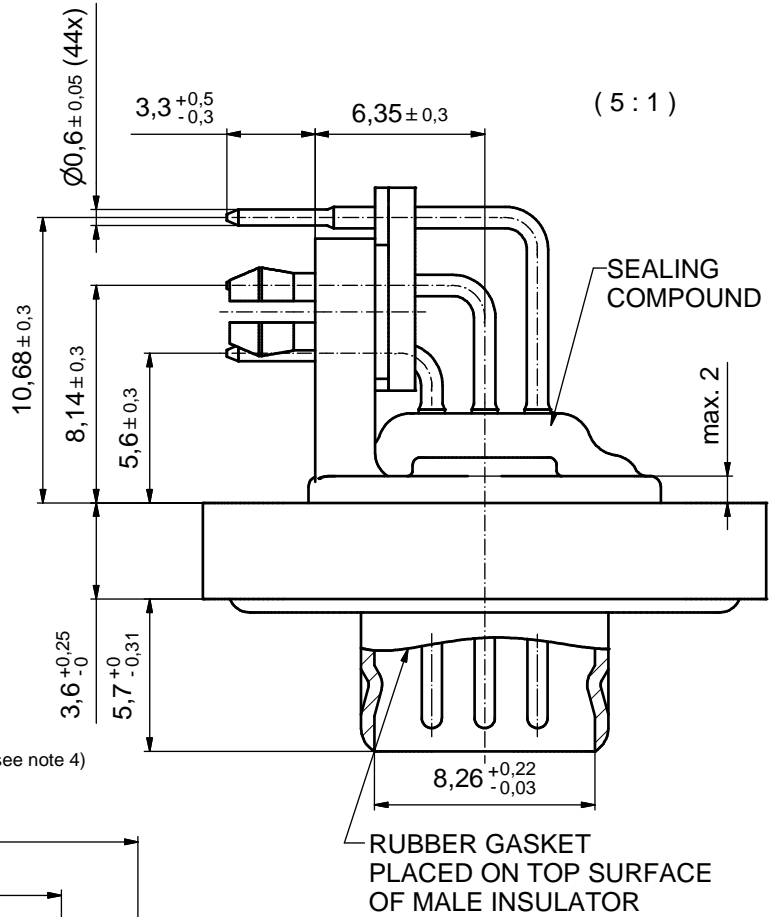
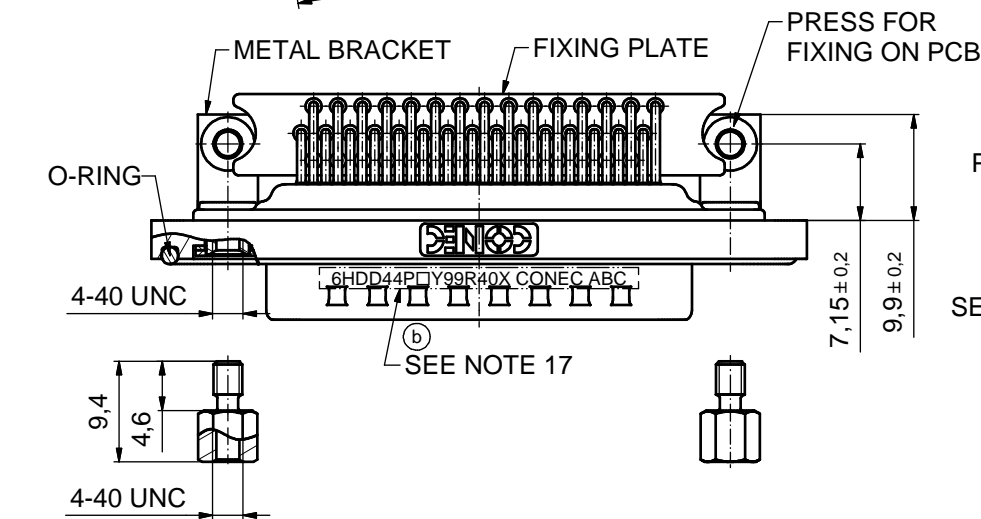
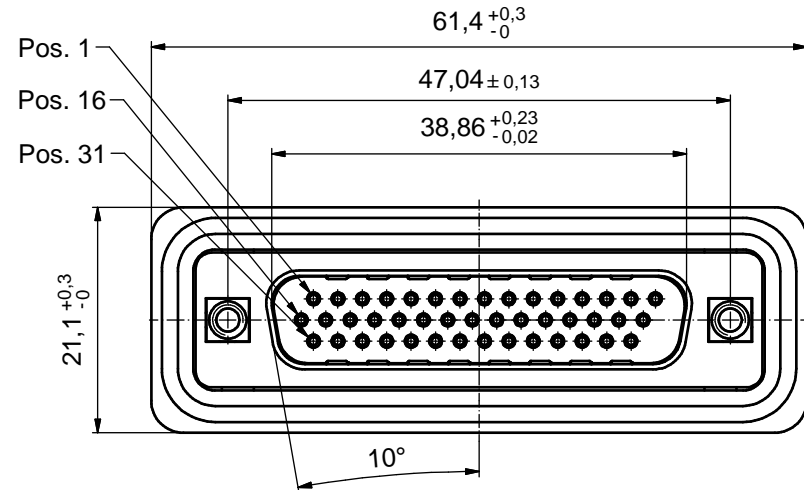


(b)
NOTES:

1. FOR WAVESOLDERING (SOLDER BATH TEMPERATURE 240°C FOR 5 SEC. / AND SOLDER PREHEAT 120°C FOR 120 SEC.)
2. METAL SHELLS: COPPER ALLOY; min. 315µm TIN over 40-80µm NICKEL
3. INSULATORS: PBT GF UL 94 V-0; BLACK
4. CONTACTS: COPPER ALLOY; PLATING (SEE PART NO.):
 PLEASE ADD A for GOLD FLASH over NICKEL (PREFERRED TYPE)
 PLEASE ADD B for 20µm HARD GOLD over min. 50µm NICKEL
 PLEASE ADD C for 30µm HARD GOLD over min. 50µm NICKEL
5. METAL BRACKETS: ZINC DIE CAST;
300µm COPPER/ 40-120µm NICKEL/ 120-200µm TIN
6. THREADED INSERTS: COPPER ALLOY;
min. 200µm TIN over 80µm NICKEL
7. PCB-SNAPS: COPPER ALLOY; min. 200µm TIN over 80µm NICKEL
PCB-HOLE: $\varnothing 3,1 \pm 0,1$; PCB THICKNESS 1,6mm
8. COLLARS: COPPER ALLOY; NICKEL PLATED
9. HEXLOCKING SCREWS: STAINLESS STEEL
10. FRAME: ZINC DIE CAST; NICKEL PLATED
11. FIXING PLATE: PBT GF UL 94 V-0; BLACK
12. O-RING: SILICON; BLUE
13. RUBBER GASKET: TPE
14. SEALING COMPOUND: PUR; BLUE
15. P.C.B. HOLE DRILLINGS AND
RECOMMENDED PANEL CUT-OUT ON SHEET 2
16. RECOMMENDED TORQUE FOR MOUNTING SCREW 35Ncm (3.1 in.LB) /
max.40Ncm (3.5 in.LB)
17. CONNECTOR IS PART MARKED: **6HDD44P□Y99R40X CONEC ABC** (see note 4)



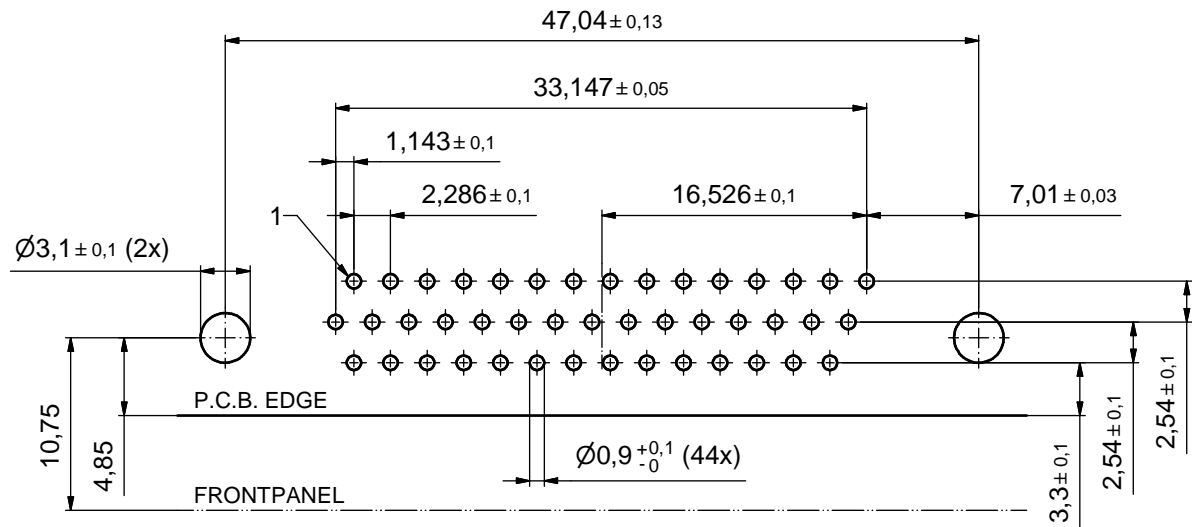
AT ALL TIMES WATER RESISTANT CONNECTORS NOT IN USE SHOULD BE COVERED WITH A CONEC WATER RESISTANT CAP OR WATERTIGHT HOOD.

Directive 2002/95/EC RoHS compliant

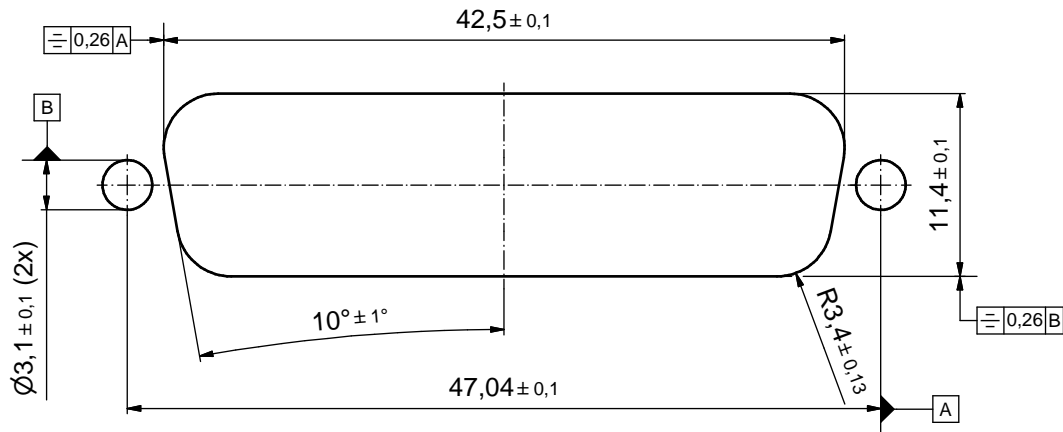
tolerance					scale: 2:1 (5:1)		
					material: SEE NOTES		
date				name		title:	
						D-SUB HD MALE 90° 44pos. SOLDER PIN ANGLED threaded insert, metal bracket, fixing-plate, snap	
drawn 09.08.10 Henneboel				appd. 09.08.10 Fischer		dwg no:	
norm				d-old 18K1A464		15K1A705	
2 x b A4784 11.06.13 HS						part no: 6HDD44P□Y99R40X (see note 4)	
a Original						DIN-A3	
rev. description date name						sh: 1	

P.C.B. HOLE DRILLINGS

(P.C.B. TOP SIDE)



RECOMMENDED PANEL CUT-OUT



THIS DRAWING MAY NOT BE COPIED OR REPRODUCED IN ANY WAY, AND MAY NOT BE PASSED ON TO A THIRD PARTY WITHOUT WRITTEN PERMISSION. OWNERSHIP AND COPYRIGHT OF CONEC GmbH DO NOT ALTER CAD DRAWING BY HAND	tolerance		dim. in mm		scale:	3:1
					material:	see sheet 1
	drawn	09.08.10	Henneboel		title: P.C.B. HOLE DRILLINGS PANEL CUT-OUT D-SUB Male 44pos. HD SOLDER PIN 90°	
	appd.	09.08.10	Fischer			
norm				dwg no:	15K1A705	DIN-A3
d-old				part no:	SEE SHEET 1	sh: 2
rev.	description	date	name	CONEC		
a	Original					

X-ON Electronics

Largest Supplier of Electrical and Electronic Components

Click to view similar products for [D-Sub High Density Connectors](#) category:

Click to view products by [CONEC](#) manufacturer:

Other Similar products are found below :

[97-3250-11](#) [163A17089X](#) [164A17199X](#) [164C18629X](#) [L717HDB44POL2R210](#) [L717HDEH15POL2](#) [L777HDE15P](#) [L77HDE15SC309](#)
[163A16759X](#) [163A16839X](#) [163A16989X](#) [163A17079X](#) [164A17329X](#) [164A18219X](#) [241A16440X](#) [241A16550X](#) [241A16680X](#)
[241A20810X](#) [241A25740X](#) [CT25-44P](#) [MDBE15PE766](#) [L177HDE15SOL2RM23](#) [L177HRC62SVFM](#) [L177HRCG62S](#)
[L717HDEG15POL2RM5](#) [L77HDA26SVF](#) [L77HDE15SD1CO](#) [L77HDEH15SOL2RM832](#) [DAMA-15S-WS](#) [443895-3](#) [106698-1](#) [280-](#)
[012K2C](#) [DBMV13H3SNA197](#) [L177HRB44S](#) [164A17039X](#) [09562004701510](#) [L777HRC62P](#) [241A17960X](#) [164A18269X](#) [280-019S1S9MEN](#)
[L777HDEG15P](#) [280-018P3S25MEGN](#) [206504-2](#) [40-9415HDSP](#) [40-9515HDSP](#) [2057140-1](#) [C115370-6002](#) [DFMA104SNMBFR172FR022](#)
[HDC9F200E2S](#) [L717HDAG26POL2RM8](#)