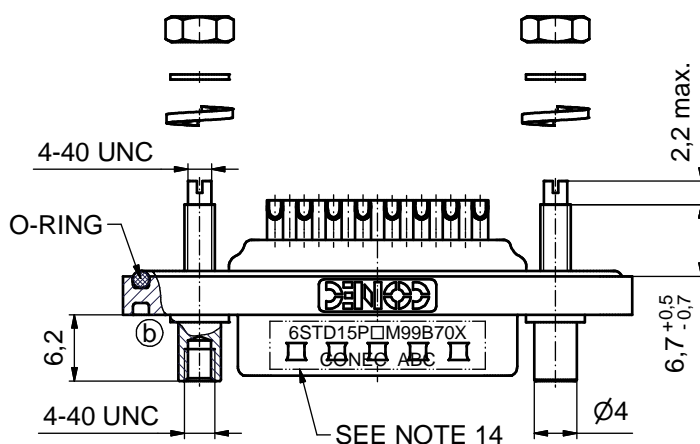
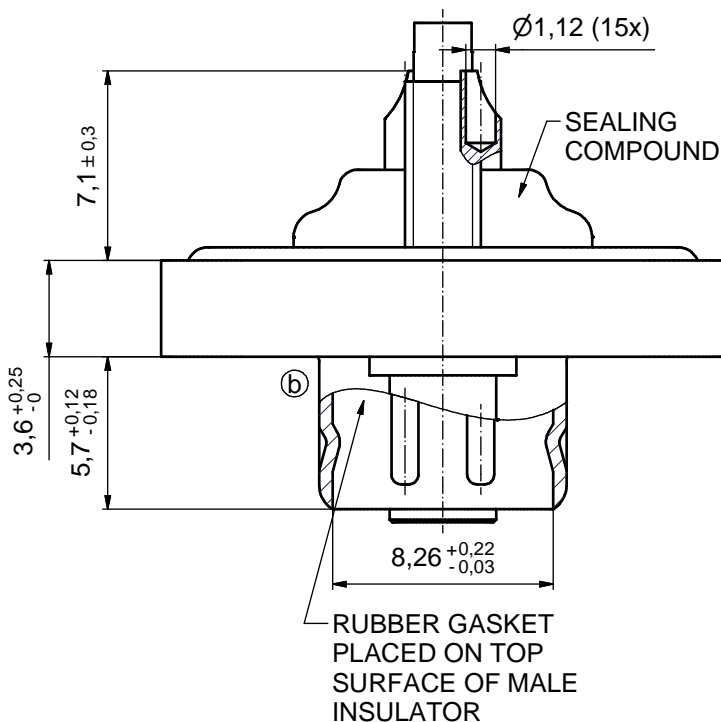
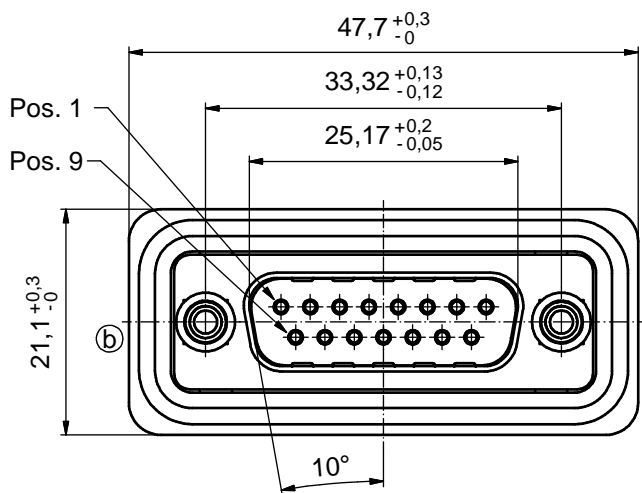
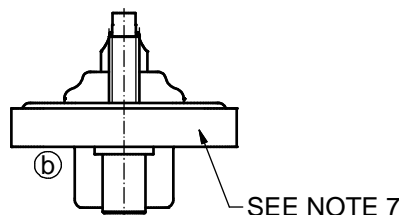


(5:1)

AT ALL TIMES WATER RESISTANT CONNECTORS NOT IN USE SHOULD BE COVERED WITH A CONEC WATER RESISTANT CAP OR WATER TIGHT HOOD.

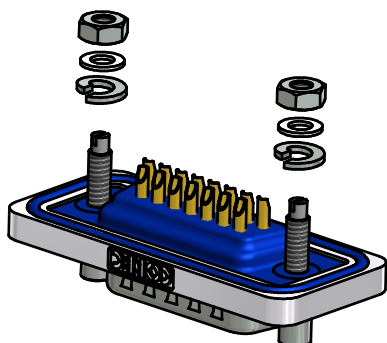
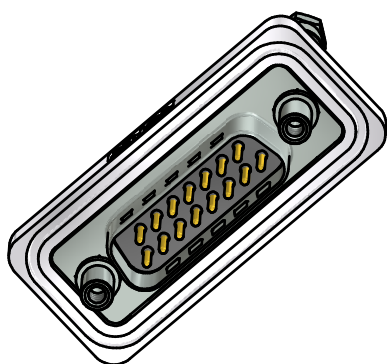


CONNECTOR WILL BE SUPPLIED WITH:
 2 x NUTS
 2 x FLAT WASHERS
 2 x SPRING WASHERS



(b) NOTES:

- RECOMMENDED SOLDER INSTRUCTION SEE SHEET 2
- METALSHELLS: COPPER ALLOY; min. 320µin TIN over 40-80µin NICKEL
- INSULATORS: PBT GF UL 94 V-0; BLACK
- SIGNAL CONTACTS: COPPER ALLOY; PLATING (SEE PART NO.):
 - PLEASE ADD C for 30µin HARD GOLD over min. 50µin NICKEL
 - PLEASE ADD B for 20µin HARD GOLD over min. 50µin NICKEL
 - PLEASE ADD A for GOLD FLASH over NICKEL (PREFERRED TYPE)
 SOLDER CUP ACCEPTS CABLE AWG 20
- THREADED LOCKS: COPPER ALLOY; min. 200µin TIN over 80µin NICKEL
- COLLARS: COPPER ALLOY, min. 200µin TIN over 80µin NICKEL
- FRAME: ZINC DIE CAST; NICKEL PLATED
- STUD BOLTS / 4-40 UNC: STEEL; TIN PLATED
- O-RING: SILICON; BLUE
- SEALING COMPOUND: PUR; BLUE
- RUBBER GASKET: TPE; BLACK
- RECOMMENDED PANEL CUT-OUT ON SHEET 2
- RECOMMENDED TORQUE FOR STUD BOLT 35Ncm (3,1 in.LB) / max. 40Ncm (3,5 in.LB)
- CONNECTOR IS PART MARKED: 6STD15P□M99B70X CONEC ABC (see note 4)



Directive 2002/95/EC RoHS compliant

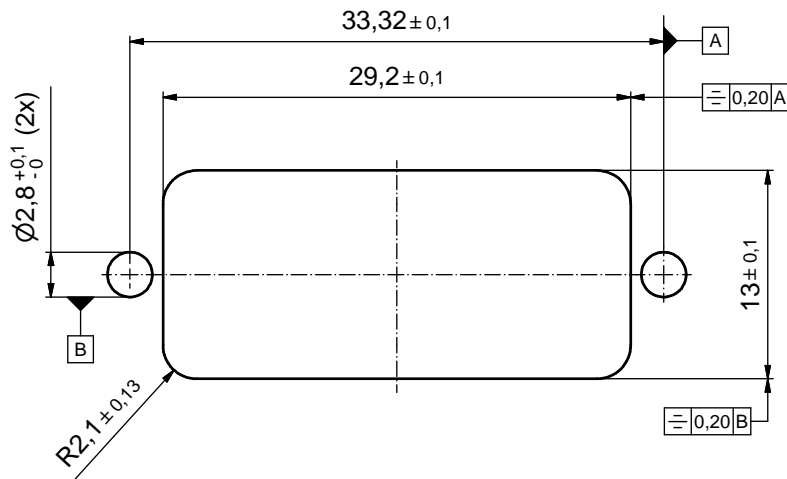
THIS DRAWING MAY NOT BE COPIED OR REPRODUCED IN ANY WAY, AND MAY NOT BE PASSED ON TO A THIRD PARTY WITHOUT WRITTEN PERMISSION. OWNERSHIP AND COPYRIGHT OF CONEC GmbH				tolerance		dim. in mm	scale: 2:1 (5:1)	
				date			material: SEE NOTES	
DO NOT ALTER CAD DRAWING BY HAND				drawn	01.07.13	Lehmenkühler		title: D-SUB MALE 15pos. SOLDER CUP with threaded lock and 4-40 UNC stud bolt
				appd.	02.07.13	Fischer		
5 x b A4815 01.07.2013 Lehmenkühler				norm	18K1A272		dwg no: Inventor	
				rev.	description	date	name	
CONEC®				part no: 6STD15P□M99B70X (see note 4)		sh: 1		

ⓑ

Solder Instruction

1. Cable should be prepared for soldering. The cable/wires must be pretinned.
2. Insert cable/wire into solder cup.
3. Operate the soldering iron at 350°C, 50 Watt max . and use a pencil tip.
4. Put tip to wire in solder cup.
5. After 1 second bring in solder.
6. Heat for 3 seconds longer. Do not heat contact more than 4 seconds in total.
7. Remove soldering iron.
8. Wait until solder gets rigid again.
9. Do not solder adjacent contacts consecutively,
alternate position within the connector to minimize heat build up.

RECOMMENDED PANEL CUT-OUT



THIS DRAWING MAY NOT BE COPIED OR REPRODUCED IN ANY WAY, AND MAY NOT BE PASSED ON TO A THIRD PARTY WITHOUT WRITTEN PERMISSION. OWNERSHIP AND COPYRIGHT OF CONEC GmbH DO NOT ALTER CAD DRAWING BY HAND				tolerance		scale: 3:1
				date	name	material: SEE SHEET 1
				drawn	01.07.13	Lehmenkühler
				appd.	02.07.13	Fischer
				norm		
				d-old		
				title: PANEL CUT-OUT D-SUB MALE 15pos. SOLDER CUP with threaded lock and 4-40 UNC stud bolt		
1 x b	A4815	01.07.2013	Lehm.	dwg no: Inventor		DIN-A3
a	Original			15K1A1331		sh: 2
rev.	description	date	name	part no: SEE SHEET 1		



X-ON Electronics

Largest Supplier of Electrical and Electronic Components

Click to view similar products for [D-Sub Standard Connectors](#) category:

Click to view products by [CONEC](#) manufacturer:

Other Similar products are found below :

[56F711-015](#) [012-9507-004](#) [LV242999-142T12](#) [015-0341-000](#) [015-0349-000](#) [015-0372-005](#) [015-0372-008](#) [015-8755-001](#) [020419-0104](#) [012-0467-000](#) [012-0515-000](#) [012-9507-034](#) [012-9507-114](#) [020745-0008](#) [609-25P](#) [M24308/2-23Z](#) [M24308315F](#) [CT2-14S-2PCA34](#) [CT2-18-11PCAU](#) [CT2-36-15SC](#) [CT6-14S-2SC](#) [CT6E14SA7SC](#) [CT6E22-14PC](#) [CT6E22-14PS](#) [CT6E22-22PS](#) [M83513/01-FC](#) [M85049/48-3-2F](#) [6STD09PCM99B70X](#) [6STD09SCM99B30X](#) [6STD09SCT99S40X](#) [6STD15PCT99S40X](#) [6STD15SCM99B30X](#) [6STD15SCT99S40X](#) [6STF09PCM05B70X](#) [7-135760-9](#) [MC11E-10-6SN](#) [747552-3](#) [MD1-21PS](#) [MDM-15SCBRM7-F222](#) [MDM96517-699](#) [MDM96521-744](#) [MDVB1-21SL1](#) [MIK0-1-7SH003](#) [MIKQ6-7SH076](#) [MIKQ7-7PH077](#) [MIKQ7-7PH11](#) [MIKQ7-7PH32](#) [MIKQ9-7PH003](#) [MJSV-28SL61](#) [MKJ4A1F14-55S](#)