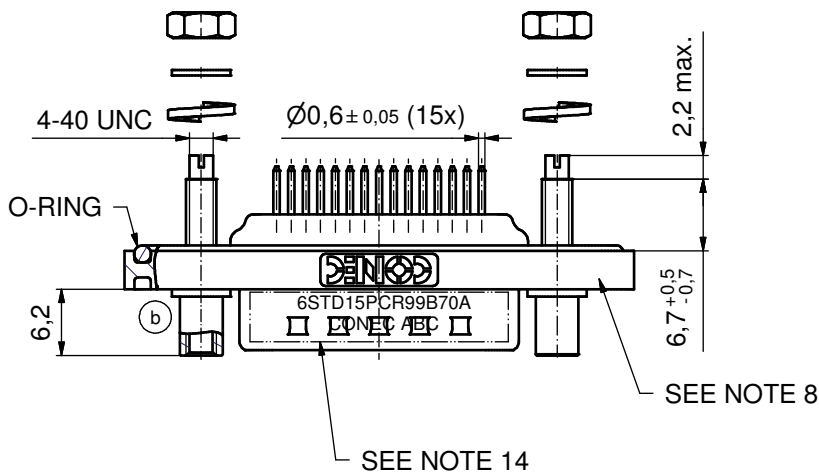
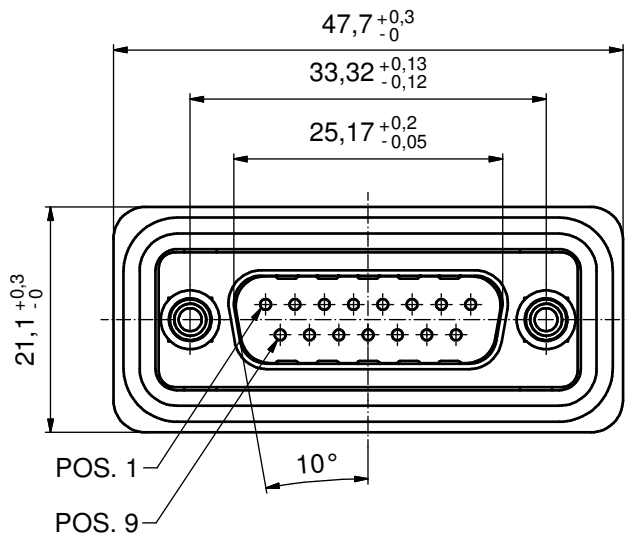


NOTES:

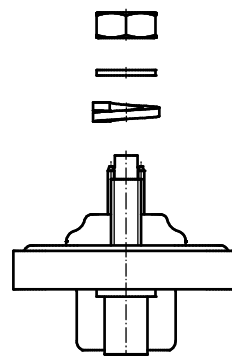
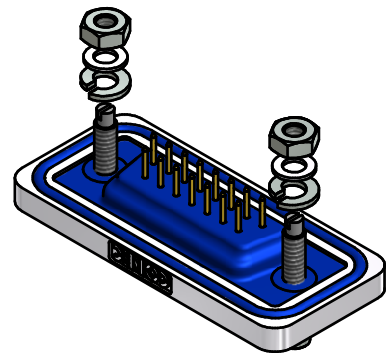
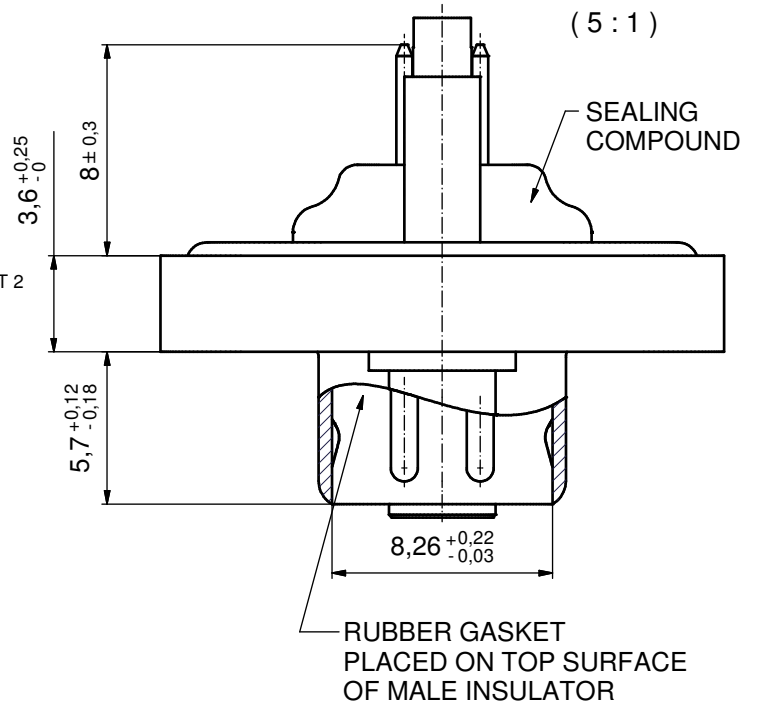
1. RECOMMENDED SOLDER INSTRUCTION SEE SHEET 2
2. METALSHELLS: COPPER ALLOY; min. 315µin TIN over 40-80µin NICKEL
3. INSULATORS: PBT GF UL 94 V-0; BLACK
4. CONTACTS: COPPER ALLOY
PLATING: 30µin HARD GOLD over min. 50µin NICKEL
5. THREADED LOCKS: COPPER ALLOY; min. 200µin TIN over 80µin NICKEL
6. COLLARS: COPPER ALLOY; min. 200µin TIN over 80µin NICKEL
7. STUD BOLTS / 4-40 UNC: STEEL; TIN PLATED
8. FRAME: ZINC DIE CAST; NICKEL PLATED
9. RUBBER GASKET: TPE; BLUE
10. O-RING: SILICON; BLUE
11. SEALING COMPOUND: PUR; BLUE
12. P.C.B. HOLE DRILLINGS AND RECOMMENDED PANEL CUT-OUT ON SHEET 2
13. RECOMMENDED TORQUE FOR MOUNTING SCREW
35Ncm (3.1 in.LB) / max.40Ncm (3.5 in.LB)
14. CONNECTOR IS PART MARKED: 6STD15PCR99B70A CONEC ABC

AT ALL TIMES WATER RESISTANT CONNECTORS NOT IN USE SHOULD BE COVERED WITH A CONEC WATER RESISTANT CAP OR WATER TIGHT HOOD.



SEE NOTE 8

SEE NOTE 14



CONNECTOR WILL BE SUPPLIED WITH:
 2 x NUTS
 2 x FLAT WASHERS
 2 x SPRING WASHERS

Directive 2002/95/EC RoHS compliant

| | |
|---|--------|
| APPROVAL # FREIGABE # DEBLOCAGE # AUTORIZACION # APPROVAL | |
| CUSTOMER APPROVAL DATE: | |
| NAME: | TITLE: |
| COMPANY NAME: | |
| APPROVAL # FREIGABE # DEBLOCAGE # AUTORIZACION # APPROVAL | |

| | | | |
|--|-------------|----------|------|
| THIS DRAWING MAY NOT BE COPIED OR REPRODUCED IN ANY WAY, AND MAY NOT BE PASSED ON TO A THIRD PARTY WITHOUT WRITTEN PERMISSION. OWNERSHIP AND COPYRIGHT OF CONEC GmbH | | | |
| DO NOT ALTER CAD DRAWING BY HAND | | | |
| 1 x b | A5061 | 27.01.14 | K.H. |
| a | Original | | |
| rev. | description | date | name |

| | | | |
|-----------|----------|------------|--------------------|
| tolerance | | dim. in mm | |
| date | name | drawn | 03.01.11 Henneboel |
| appd. | 03.01.11 | Fischer | |
| norm | | | |
| d-old | | | |

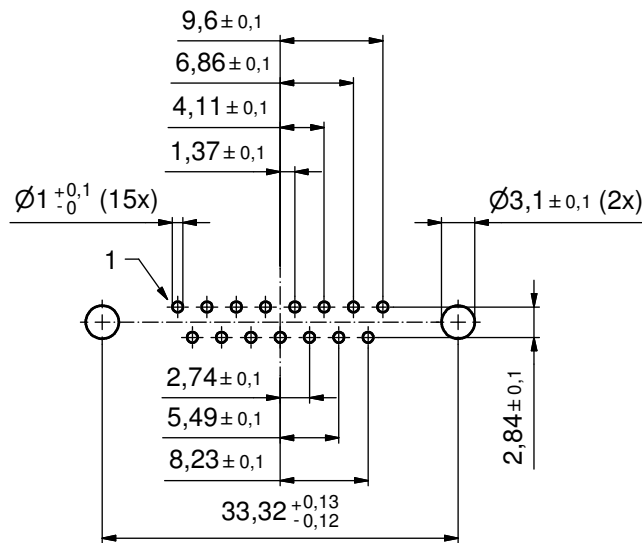
| | | | |
|-----------|---|--------|--|
| scale: | 2:1 (5:1) | | |
| material: | SEE NOTES | | |
| title: | D-SUB MALE 15pos. SOLDER PIN STRAIGHT with threaded lock and 4-40 UNC stud bolt | | |
| dwg no: | 15K1A772 | DIN-A3 | |
| part no: | 6STD15PCR99B70A | sh:1/2 | |



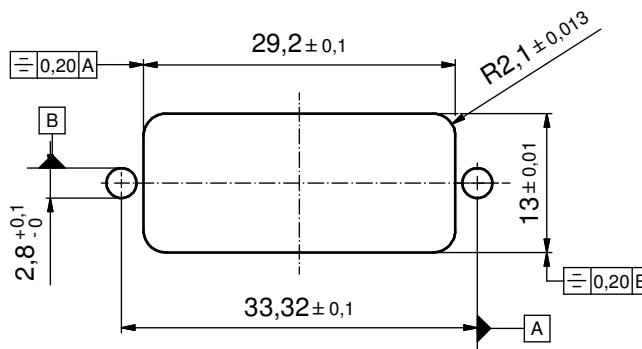
Solder Instruction

1. Insert contacts into the PCB.
2. Operate the soldering iron at 350°C, 50 Watt max. and use a pencil tip.
3. Put tip to solder wire and contact.
4. After 1 second bring in solder.
5. Heat for 3 seconds longer. Do not heat contact more than 4 seconds in total.
6. Remove soldering iron.
7. Wait until solder gets rigid again.
8. Do not solder adjacent contacts consecutively, alternate position within the connector to minimize heat build up.

P.C.B. HOLE DRILLINGS (P.C.B. TOP SIDE)



RECOMMENDED PANEL CUT-OUT



| | | | | | | | |
|---|--|--|----------|---------------------------|-------------|---|-------------|
| THIS DRAWING MAY NOT BE COPIED OR REPRODUCED IN ANY WAY, AND MAY NOT BE PASSED ON TO A THIRD PARTY WITHOUT WRITTEN PERMISSION. OWNERSHIP AND COPYRIGHT OF CONEC GmbH DO NOT ALTER CAD DRAWING BY HAND | | | | tolerance | | scale: 3:1 | |
| | | | | | dim. in mm | material: SEE SHEET 1 | |
| | | | | date | name | title: | |
| | | | | drawn 03.01.11 | Henneboel | P.C.B. HOLE DRILLINGS RECOMMENDED PANEL CUT-OUT D-SUB MALE 15pos. SOLDER PIN STRAIGHT | |
| | | | | appd. 03.01.11 | Fischer | | |
| | | | | norm | | | |
| | | | | d-old | | | |
| | | | | a | Origin | dwg no: | |
| | | | | rev. | description | date | name |
| | | | | CONEC [®] | | | 15K1A772 |
| | | | part no: | | | | SEE SHEET 1 |

X-ON Electronics

Largest Supplier of Electrical and Electronic Components

Click to view similar products for [Circular Metric Connectors](#) category:

Click to view products by [CONEC](#) manufacturer:

Other Similar products are found below :

[600X518037X](#) [6STD15PCR99B70A](#) [8R4000A16M020](#) [8R5000A16M005](#) [1200910002](#) [1203580030](#) [1200910008](#) [1200910011](#) [1300140094](#)
[130203-0054](#) [1300140026](#) [1300150099](#) [RF-12S1N8A90DU](#) [1-3637-600-5205](#) [1612618](#) [21036836414](#) [8R4006A16M010](#) [8R5006A18A120](#)
[1604232](#) [1R3006A20M005](#) [RF-12P1N8A80DU](#) [RF-12P1N8A90DU](#) [41-40011](#) [42-01015](#) [4-22279-4](#) [4-22281-1](#) [4-22284-9](#) [43-01088](#) [43-](#)
[01203](#) [41-40013](#) [42-00008](#) [43-00343](#) [43-01032](#) [43-01162](#) [43-10000](#) [600X518050X](#) [SACC-DSI-FS-5P-PG9-L180 SC](#) [8R5006A16M020](#)
[8R5006A16M005](#) [8R4000A16M010](#) [6-22279-3](#) [1605332](#) [N03FA03144](#) [1300140077](#) [43-01338](#) [XS2RD4265](#) [RSC 4/9](#) [XS2R-D426-1](#)
[XS8A-0441](#) [859RD04-103R004](#)