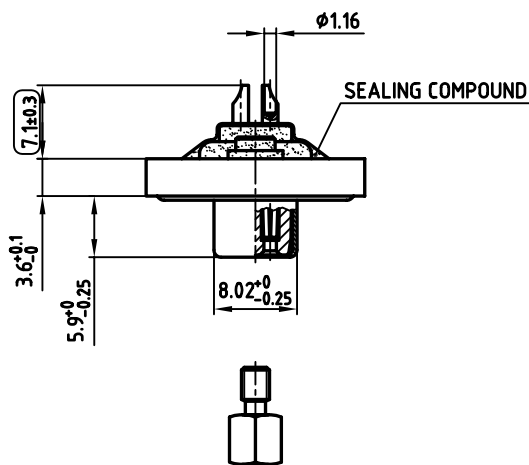
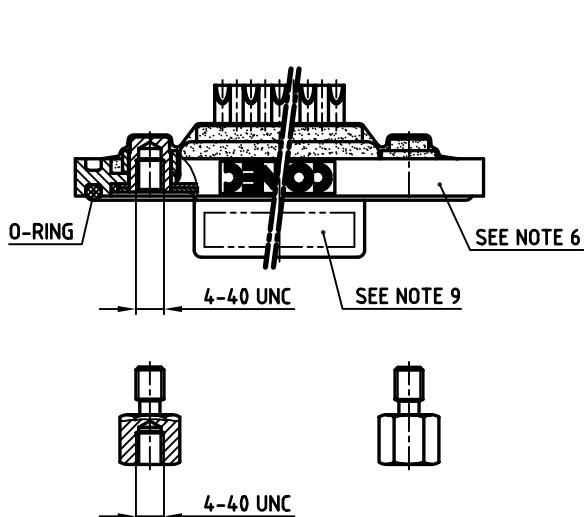
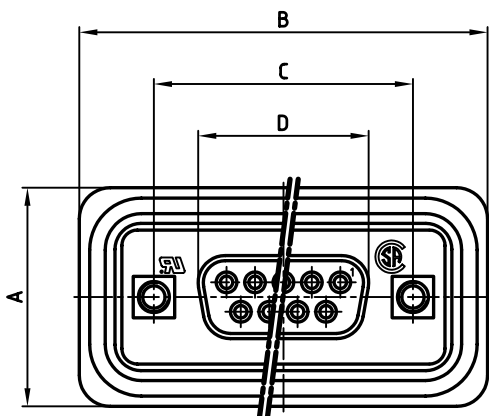


used for: D-SUB

AT ALL TIMES WATER RESISTANT CONNECTORS NOT IN USE SHOULD BE COVERED WITH A CONEC WATER RESISTANT CAP OR WATER TIGHT HOOD.

No. of pos.	A <sup>+0.2</sup>	B <sup>+0.2</sup>	C	D <sup>-0.25</sup>	PART NO.
9	21.1	39.4	25.00 <sup>+0.12</sup> <sub>-0.13</sub>	16.46	6STD09SCM99B30X
15	21.1	47.7	33.30 <sup>+0.15</sup> <sub>-0.1</sub>	24.79	6STD15SCM99B30X
25	21.1	61.4	47.04 <sup>+0.13</sup>	38.50	6STD25SCM99B30X
37	21.1	77.9	63.50 <sup>+0.13</sup>	54.96	6STD37SCM99B30X



**NOTES:**

- METALSHELLS: COPPER ALLOY; min. 320 $\mu$ " TIN
- INSULATORS: PBT GF UL 94 V-0, BLACK
- CONTACTS: COPPER ALLOY  
PLATING: 30 $\mu$ " HARD GOLD OVER min. 50 $\mu$ " NICKEL  
SOLDER CUP ACCEPTS CABLE AWG 20
- THREADED INSERT: COPPER ALLOY; min. 200 $\mu$ " TIN over 80 $\mu$ " NICKEL
- COLLAR: COPPER ALLOY; min. 200 $\mu$ " TIN over 80 $\mu$ " NICKEL
- FRAME: ZINC DIECAST; NICKEL PLATED
- HEXLOCKING SCREW: STAINLESS STEEL
- MAXIMUM TORQUE VALUE FOR THREAD: 6" LBS
- CONNECTOR IS PART MARKED: PART-NO. CONEC ABC
- = CHECK DIMENSION

Directive 2002/95/EC  
 RoHS-Compliant

APPROVAL # FREIGABE # DEBLOCAGE # AUTORIZACION # APPROVAL	
CUSTOMER APPROVAL DATE:	
NAME:	TITLE:
COMPANY NAME:	
APPROVAL # FREIGABE # DEBLOCAGE # AUTORIZACION # APPROVAL	

THIS DRAWING MAY NOT BE COPIED OR REPRODUCED IN ANY WAY, AND MAY NOT BE PASSED ON TO A THIRD PARTY, WITHOUT WRITTEN PERMISSION. OWNERSHIP AND COPYRIGHT OF CONEC GmbH. DO NOT ALTER CAD DRAWING BY HAND

rev.	description	date	name
a	Origin		

tolerance		scale: 2:1	material: SEE NOTES
2006	date	name	<b>D-SUB FEMALE</b> 9-37pos. SOLDER CUP with threaded insert and hexlocking screw dwg no: AutoCAD 2004 DIN-A <span style="font-size: 2em; font-weight: bold;">18K1A424</span> part no: SEE TABLE
drawn	09.02.	Lehmenkühler	
appd.	09.02.	Mickenbecker	
norm	DIN 41652		
d-old			sh: 1/1



## X-ON Electronics

Largest Supplier of Electrical and Electronic Components

*Click to view similar products for [D-Sub Standard Connectors](#) category:*

*Click to view products by [CONEC](#) manufacturer:*

Other Similar products are found below :

[56F711-015](#) [012-9507-004](#) [LV242999-142T12](#) [015-0341-000](#) [015-0349-000](#) [015-0372-005](#) [015-0372-008](#) [015-8755-001](#) [020419-0104](#) [012-0467-000](#) [012-0515-000](#) [012-9507-034](#) [012-9507-114](#) [020745-0008](#) [609-25P](#) [CT2-14S-2PCA34](#) [CT2-18-11PCAU](#) [CT2-36-15SC](#) [CT6-14S-2SC](#) [CT6E14SA7SC](#) [CT6E22-14PC](#) [CT6E22-14PS](#) [CT6E22-22PS](#) [M83513/01-FC](#) [M85049/48-3-2F](#) [6STD09PCM99B70X](#) [6STD09SCM99B30X](#) [6STD09SCT99S40X](#) [6STD15PCT99S40X](#) [6STD15SCM99B30X](#) [6STD15SCT99S40X](#) [6STF09PCM05B70X](#) [7-135760-9](#) [MC11E-10-6SN](#) [747552-3](#) [MD1-21PS](#) [MDM-15SCBRM7-F222](#) [MDM96517-699](#) [MDM96521-744](#) [MDVB1-21SL1](#) [MIK0-1-7SH003](#) [MIKQ6-7SH076](#) [MIKQ7-7PH077](#) [MIKQ7-7PH11](#) [MIKQ7-7PH32](#) [MIKQ9-7PH003](#) [MJSV-28SL61](#) [MKJ4A1F14-55S](#) [8-135760-3](#) [8STD09PCM99B30X](#)