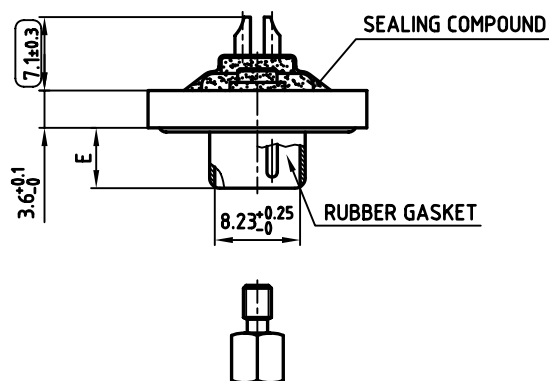
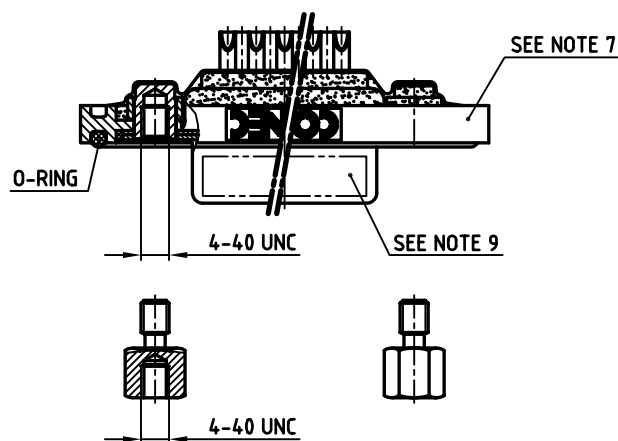
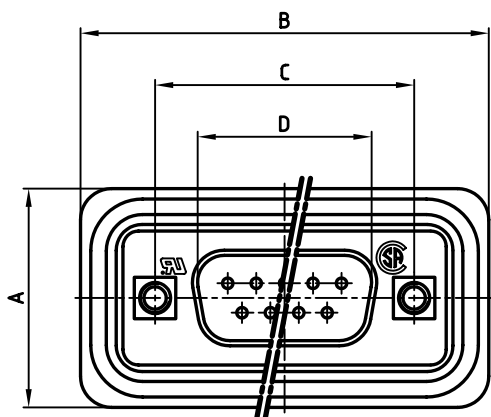


used for: D-SUB

AT ALL TIMES WATER RESISTANT CONNECTORS NOT IN USE SHOULD BE COVERED WITH A CONEC WATER RESISTANT CAP OR WATER TIGHT HOOD.

| POS. | A ^{+0.2} | B ^{+0.2} | C | D ^{+0.25} | E ^{-0.30} | Part-NO. |
|------|-------------------|-------------------|---|--------------------|--------------------|-----------------|
| 9 | 21.1 | 39.4 | 25.00 ^{+0.12} _{-0.13} | 16.79 | 5.82 | 6STD09PCM99B30X |
| 15 | 21.1 | 47.7 | 33.30 ^{+0.15} _{-0.1} | 25.12 | 5.82 | 6STD15PCM99B30X |
| 25 | 21.1 | 61.4 | 47.04 ^{+0.13} | 38.84 | 5.69 | 6STD25PCM99B30X |
| 37 | 21.1 | 77.9 | 63.50 ^{+0.13} | 55.30 | 5.69 | 6STD37PCM99B30X |



NOTES:

- METALSHELLS: COPPER ALLOY; min. 320µ" TIN
- INSULATORS: PBT GF UL 94 V-0, BLACK
- CONTACTS: COPPER ALLOY
PLATING: 30µ" HARD GOLD OVER min. 50µ" NICKEL
SOLDER CUP ACCEPTS CABLE AWG 20
- THREADED INSERT: COPPER ALLOY; min. 200µ" TIN over 80µ" NICKEL
- COLLAR: COPPER ALLOY; min. 200µ" TIN over 80µ" NICKEL
- HEXLOCKING SCREW: STAINLESS STEEL
- FRAME: ZINC DIECAST; NICKEL PLATED
- MAXIMUM TORQUE VALUE FOR THREAD: 6" LBS
- CONNECTOR IS PART MARKED: PART-NO. CONEC ABC
- = CHECK DIMENSION

Directive 2002/95/EC
 "RoHS"
 Compliant

| | |
|---|--------|
| APPROVAL * FREIGABE * DEBLOCAGE * AUTORIZACION * APPROVAL | |
| CUSTOMER APPROVAL DATE: | |
| NAME: | TITLE: |
| COMPANY NAME: | |
| APPROVAL * FREIGABE * DEBLOCAGE * AUTORIZACION * APPROVAL | |

THIS DRAWING MAY NOT BE COPIED OR REPRODUCED IN ANY WAY, AND MAY NOT BE PASSED ON TO A THIRD PARTY, WITHOUT WRITTEN PERMISSION.
 OWNERSHIP AND COPYRIGHT OF CONEC GmbH
DO NOT ALTER CAD DRAWING BY HAND

| | | | |
|---------------------|-------------|--------------|---|
| tolerance | | dim. in mm | scale: 2:1 |
| material: SEE NOTES | | | material: SEE NOTES |
| 2005 | date | name | title: D-SUB MALE 9-37pos. SOLDER CUP with threaded insert and hexlocking screw |
| drawn | 25.07. | Lehmenkühler | |
| appd. | 25.07. | Mickenbecker | |
| norm | DIN 41652 | | |
| d-old | | | dwg no: AutoCAD 2004 |
| CONEC | | | DIN-A 3 |
| rev. | description | date | sh: 1/1 |

| | |
|--------------------|--|
| part no: SEE TABLE | |
|--------------------|--|

X-ON Electronics

Largest Supplier of Electrical and Electronic Components

Click to view similar products for [D-Sub Standard Connectors](#) category:

Click to view products by [CONEC](#) manufacturer:

Other Similar products are found below :

[56F711-015](#) [012-9507-004](#) [LV242999-142T12](#) [015-0341-000](#) [015-0349-000](#) [015-0372-005](#) [015-0372-008](#) [015-8755-001](#) [020419-0104](#) [012-0467-000](#) [012-0515-000](#) [012-9507-034](#) [012-9507-114](#) [020745-0008](#) [609-25P](#) [CT2-14S-2PCA34](#) [CT2-18-11PCAU](#) [CT2-36-15SC](#) [CT6-14S-2SC](#) [CT6E14SA7SC](#) [CT6E22-14PC](#) [CT6E22-14PS](#) [CT6E22-22PS](#) [M83513/01-FC](#) [M85049/48-3-2F](#) [6STD09PCM99B70X](#) [6STD09SCM99B30X](#) [6STD09SCT99S40X](#) [6STD15PCT99S40X](#) [6STD15SCM99B30X](#) [6STD15SCT99S40X](#) [6STF09PCM05B70X](#) [7-135760-9](#) [MC11E-10-6SN](#) [747552-3](#) [MD1-21PS](#) [MDM-15SCBRM7-F222](#) [MDM96517-699](#) [MDM96521-744](#) [MDVB1-21SL1](#) [MIK0-1-7SH003](#) [MIKQ6-7SH076](#) [MIKQ7-7PH077](#) [MIKQ7-7PH11](#) [MIKQ7-7PH32](#) [MIKQ9-7PH003](#) [MJSV-28SL61](#) [MKJ4A1F14-55S](#) [8-135760-3](#) [8STD09PCM99B30X](#)