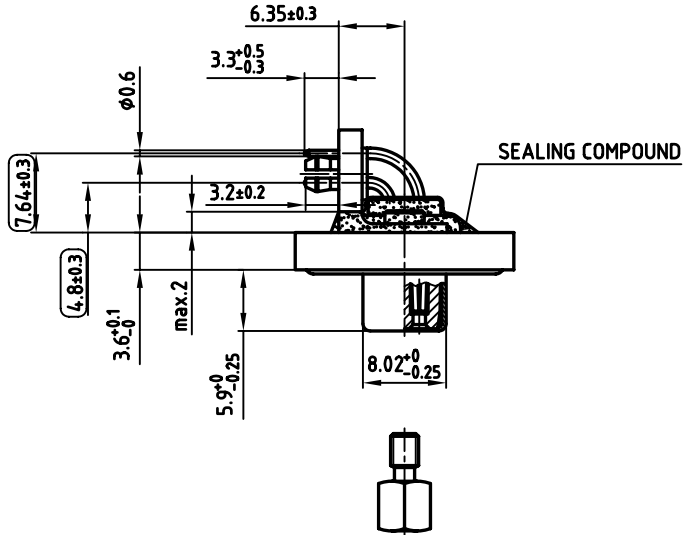
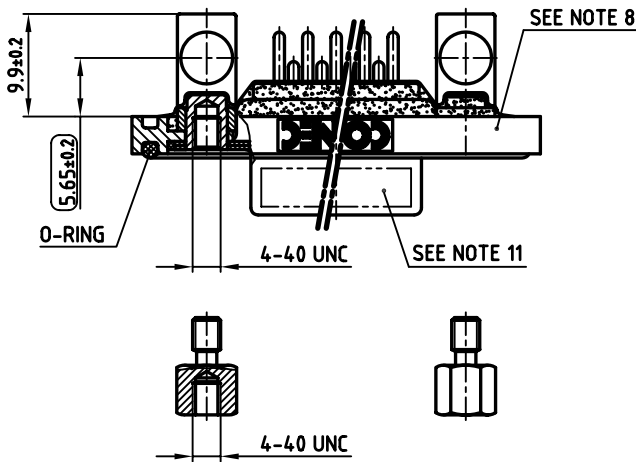
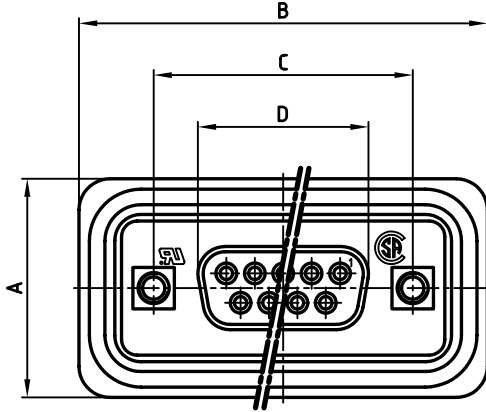


used for: D-SUB

No. of pos.	A ^{+0.2}	B ^{+0.2}	C	D ^{-0.25}	PART NO.
9	21.1	39.4	25.00 ^{+0.12 -0.13}	16.46	6STD09SCT99S40X
15	21.1	47.7	33.30 ^{+0.15 -0.1}	24.79	6STD15SCT99S40X
25	21.1	61.4	47.04 ^{+0.13}	38.50	6STD25SCT99S40X
37	21.1	77.9	63.50 ^{+0.13}	54.96	6STD37SCT99S40X



NOTES:

- METALSHELLS: COPPER ALLOY; min. 320µ" TIN
- INSULATORS: PBT GF UL 94 V-0, BLACK
- CONTACTS: COPPER ALLOY
PLATING: 30µ" HARD GOLD OVER min. 50µ" NICKEL
- METAL BRACKET: STEEL; min. 320µ" TIN over 80µ" NICKEL
- THREADED INSERT: COPPER ALLOY; min. 200µ" TIN over 80µ" NICKEL
- PCB-SNAP: COPPER ALLOY; min. 200µ" TIN over 80µ" NICKEL
PCB-HOLE: $\phi 3.1 \pm 0.1$; PCB THICKNESS 1.6mm
- HEXLOCKING SCREW: STAINLESS STEEL
- FRAME: ZINC DIECAST; NICKEL PLATED
- P.C.B. HOLE DRILLINGS ON SHEET 2 + 3
- MAXIMUM TORQUE VALUE FOR THREAD: 6" LBS
- CONNECTOR IS PART MARKED: PART-NO. CONEC ABC
- = CHECK DIMENSION

Directive 2002/95/EC
RoHS-Compliant

APPROVAL # FREIGABE # DEBLOCAGE # AUTORIZACION # APPROVAL

CUSTOMER APPROVAL DATE:

NAME: _____ TITLE: _____

COMPANY NAME: _____

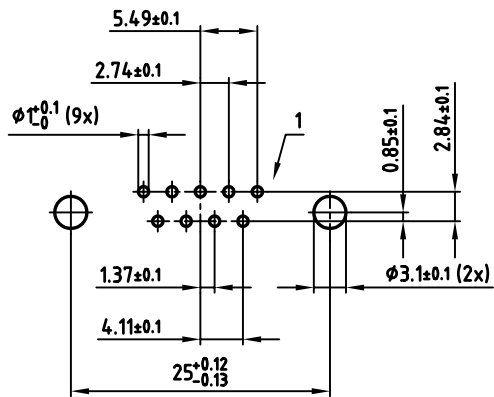
APPROVAL # FREIGABE # DEBLOCAGE # AUTORIZACION # APPROVAL

THIS DRAWING MAY NOT BE COPIED OR REPRODUCED IN ANY WAY, AND MAY NOT BE PASSED ON TO A THIRD PARTY, WITHOUT WRITTEN PERMISSION. OWNERSHIP AND COPYRIGHT OF CONEC GmbH DO NOT ALTER CAD DRAWING BY HAND

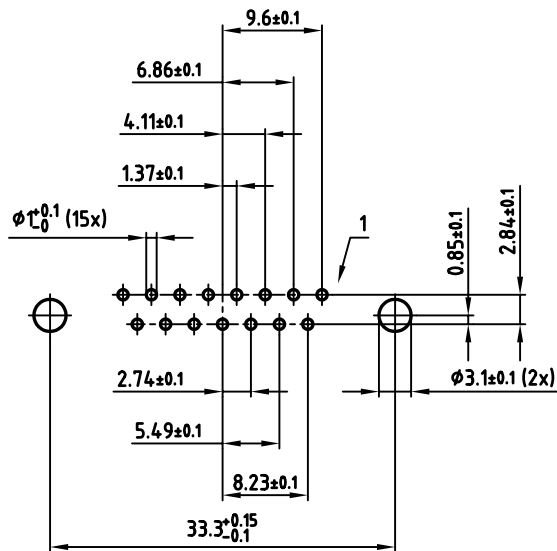
rev.	description	date	name

tolerance		scale: 2:1
	dim. in mm	material: SEE NOTES
2004 date	name	title: D-SUB FEMALE 90° 9-37pos. SOLDER PIN ANGLED with threaded insert, metal bracket and clip
drawn 03.09.	Lehmenkühler	
appd. 03.09.	Mickenbecker	
norm DIN 41652		
d-old		dwg no: AutoCAD 2004 DIN-A
		18K1A293
		part no: SEE TABLE
		3 sh:1/3

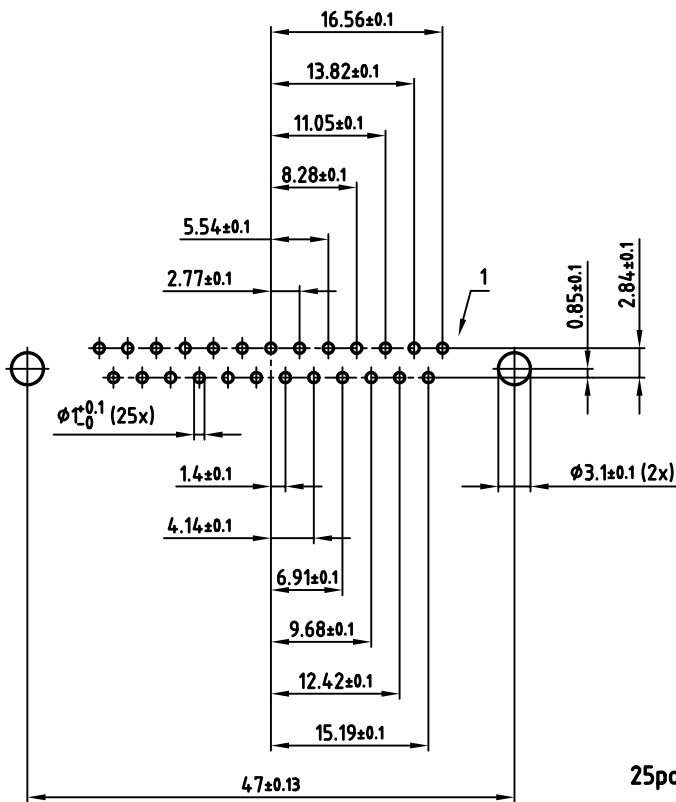
used for: D-SUB



9pos.



15pos.



25pos.

APPROVAL # FREIGABE # DEBLOCKAGE # AUTORIZACION # APPROVAL

CUSTOMER APPROVAL DATE:

NAME: TITLE:

COMPANY NAME:

APPROVAL # FREIGABE # DEBLOCKAGE # AUTORIZACION # APPROVAL

THIS DRAWING MAY NOT BE COPIED OR REPRODUCED IN ANY WAY, AND MAY NOT BE PASSED ON TO A THIRD PARTY, WITHOUT WRITTEN PERMISSION. OWNERSHIP AND COPYRIGHT OF CONEC GmbH DO NOT ALTER CAD DRAWING BY HAND

rev.	description	date	name

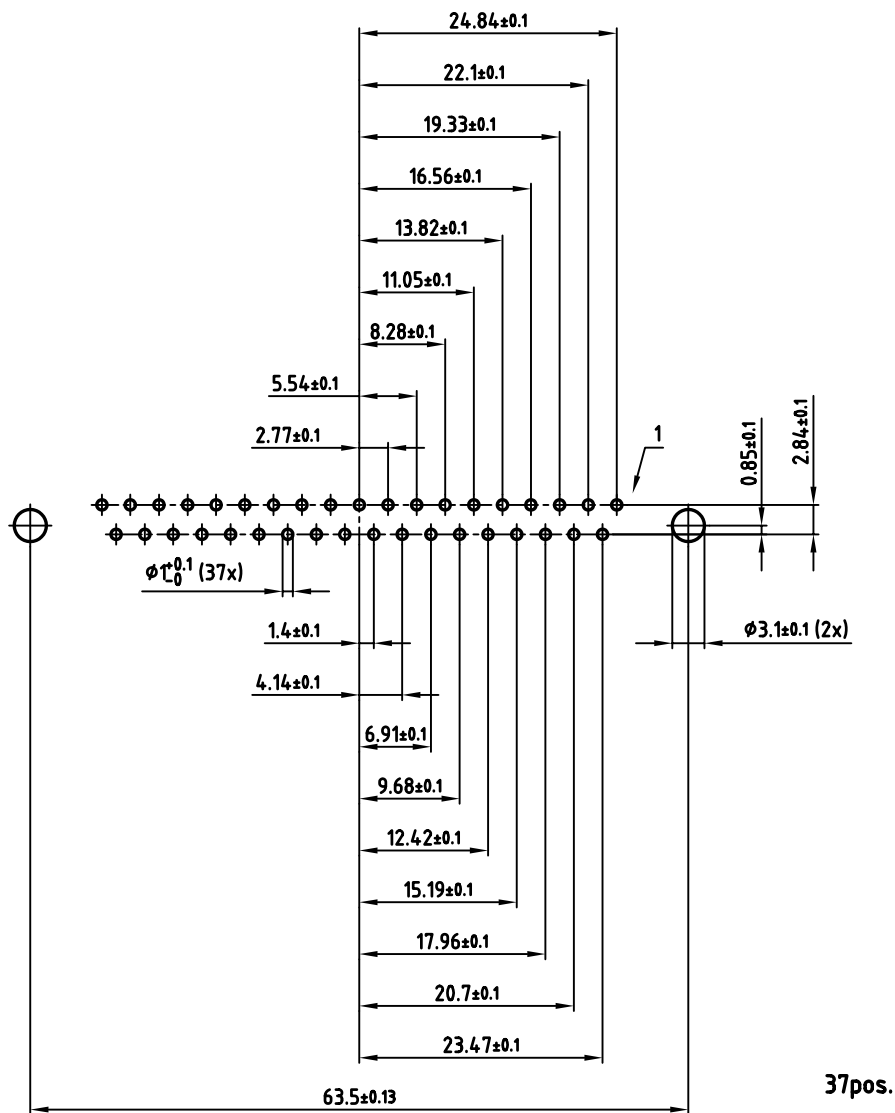
tolerance		scale:	2:1
	dim. in mm	material:	SEE SHEET 1
2004	date	name	title: P.C.B. HOLE DRILLINGS D-SUB FEMALE 90° 9-37pos. SOLDER PIN 90° with threaded insert, metal bracket and clip
drawn	03.09.	Lehmenkühler	
appd.	03.09.	Mickenbecker	
norm	DIN 41652		
d-old			dwg no: AutoCAD 2004
			DIN-A
			3
			sh:2/3
part no: SEE SHEET 1			

dwg no: AutoCAD 2004

18K1A293

part no: SEE SHEET 1

used for: D-SUB



37pos.

APPROVAL # FREIGABE # DEBLOCAGE # AUTORIZACION # APPROVAL

CUSTOMER APPROVAL DATE:

NAME: TITLE:

COMPANY NAME:

APPROVAL # FREIGABE # DEBLOCAGE # AUTORIZACION # APPROVAL

THIS DRAWING MAY NOT BE COPIED OR REPRODUCED IN ANY WAY, AND MAY NOT BE PASSED ON TO A THIRD PARTY, WITHOUT WRITTEN PERMISSION. OWNERSHIP AND COPYRIGHT OF CONEC GmbH DO NOT ALTER CAD DRAWING BY HAND

rev.	description	date	name

tolerance		 dim. in mm
2004	date	
drawn	03.09.	name
appd.	03.09.	Mickenbecker
norm	DIN 41652	
d-old		

scale: 2:1

material: SEE SHEET 1

title: P.C.B. HOLE DRILLINGS
D-SUB FEMALE 90° 9-37pos. SOLDER PIN 90°
with threaded insert, metal bracket and clip

dwg no: AutoCAD 2004 DIN-A
18K1A293 3 sh:3/3

part no: SEE SHEET 1

X-ON Electronics

Largest Supplier of Electrical and Electronic Components

Click to view similar products for [D-Sub Standard Connectors](#) category:

Click to view products by [CONEC](#) manufacturer:

Other Similar products are found below :

[56F711-015](#) [012-9507-004](#) [LV242999-142T12](#) [015-0341-000](#) [015-0349-000](#) [015-0372-005](#) [015-0372-008](#) [015-8755-001](#) [020419-0104](#) [012-0467-000](#) [012-0515-000](#) [012-9507-034](#) [012-9507-114](#) [020745-0008](#) [609-25P](#) [M24308315F](#) [CT2-14S-2PCA34](#) [CT2-18-11PCAU](#) [CT2-36-15SC](#) [CT6-14S-2SC](#) [CT6E14SA7SC](#) [CT6E22-14PC](#) [CT6E22-14PS](#) [CT6E22-22PS](#) [M83513/01-FC](#) [M85049/48-3-2F](#) [6STD09PCM99B70X](#) [6STD09SCM99B30X](#) [6STD09SCT99S40X](#) [6STD15PCT99S40X](#) [6STD15SCM99B30X](#) [6STD15SCT99S40X](#) [6STF09PCM05B70X](#) [7-135760-9](#) [MC11E-10-6SN](#) [747552-3](#) [MD1-21PS](#) [MDM-15SCBRM7-F222](#) [MDM96517-699](#) [MDM96521-744](#) [MDVB1-21SL1](#) [MIK0-1-7SH003](#) [MIKQ6-7SH076](#) [MIKQ7-7PH077](#) [MIKQ7-7PH11](#) [MIKQ7-7PH32](#) [MIKQ9-7PH003](#) [MJSV-28SL61](#) [MKJ4A1F14-55S](#) [8-135760-3](#)