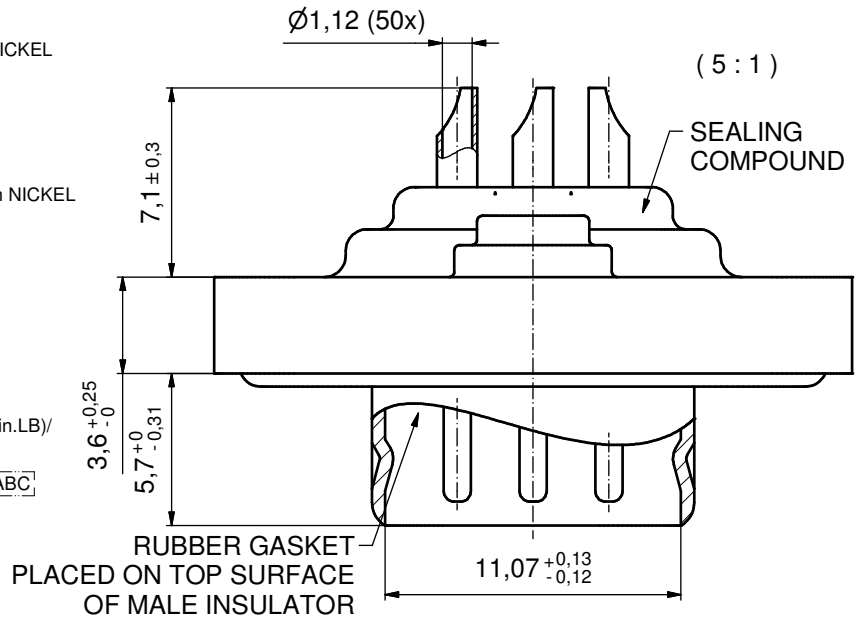
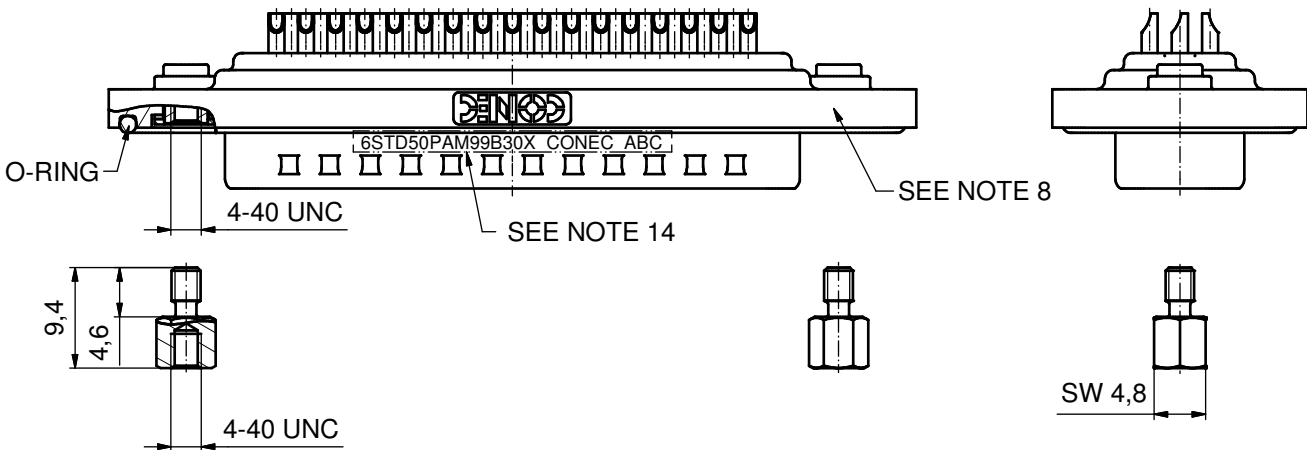
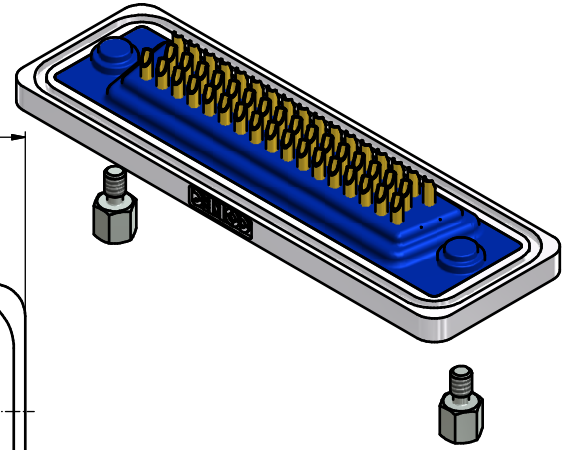
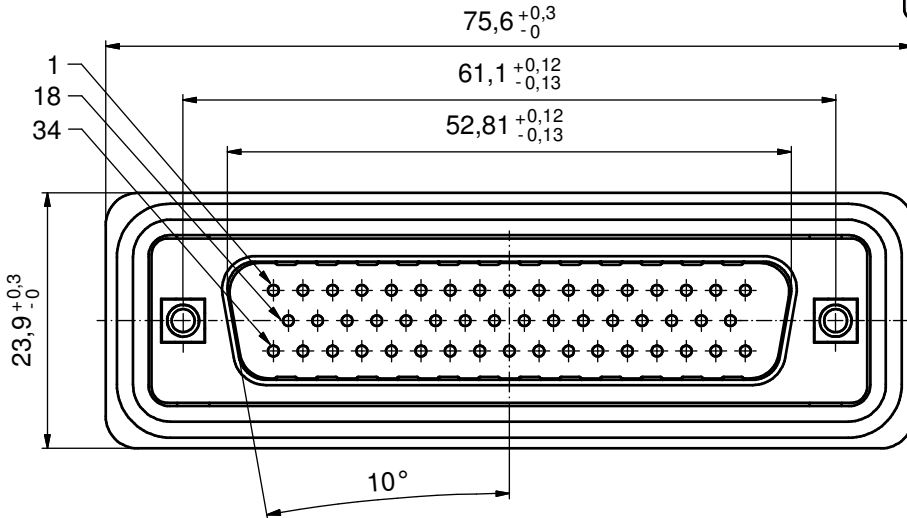


NOTES:

1. RECOMMENDED SOLDER INSTRUCTION SEE SHEET 2
2. METALSHELLS: COPPER ALLOY; min. 320µin TIN over 40-80µin NICKEL
3. INSULATORS: PBT GF UL 94 V-0; BLACK
4. CONTACTS: COPPER ALLOY  
PLATING: FLASH GOLD over NICKEL  
SOLDER CUP ACCEPTS CABLE AWG 20
5. THREADED INSERTS: COPPER ALLOY; min 200µin TIN over 80µin NICKEL
6. COLLARS: COPPER ALLOY; min 200µin TIN over 80µin NICKEL
7. HEXLOCKING SCREWS: STAINLESS STEEL
8. FRAME: ZINC DIE CAST; NICKEL PLATED
9. O-RING: SILICON; BLUE
10. RUBBER GASKET: TPE; BLACK
11. SEALING COMPOUND: PUR; BLUE
12. RECOMMENDED PANEL CUT-OUT ON SHEET 2
13. RECOMMENDED TORQUE FOR MOUNTING SCREW 35Ncm (3.1 in.LB)/  
max.40Ncm (3.5 in.LB)
14. CONNECTOR IS PART MARKED: 6STD50PAM99B30X CONEC ABC



AT ALL TIMES WATER RESISTANT CONNECTORS NOT IN USE SHOULD BE COVERED WITH A CONEC WATER RESISTANT CAP OR WATER TIGHT HOOD.



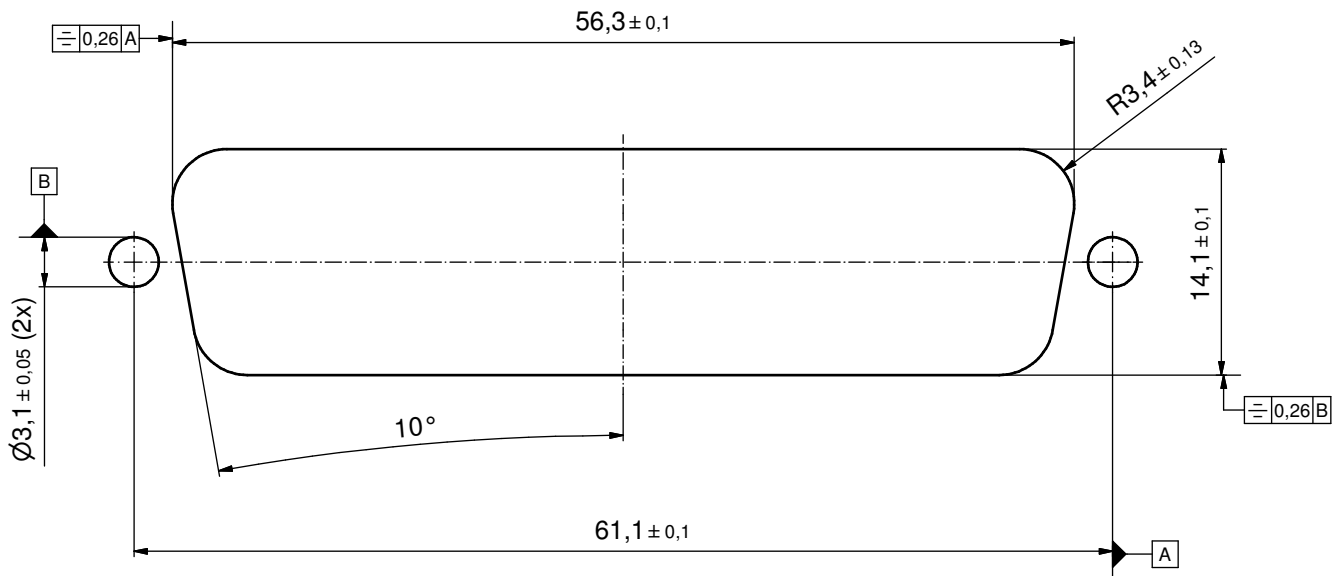
Directive 2002/95/EC RoHS compliant

THIS DRAWING MAY NOT BE COPIED OR REPRODUCED IN ANY WAY, AND MAY NOT BE PASSED ON TO A THIRD PARTY WITHOUT WRITTEN PERMISSION. OWNERSHIP AND COPYRIGHT OF CONEC GmbH DO NOT ALTER CAD DRAWING BY HAND	tolerance			dim. in mm		scale: 2:1 (5:1)	
						material: SEE NOTES	
				date	name	title: <b>D-SUB MALE</b> 50pos. SOLDER CUP with threaded insert and hexlocking screw	
				drawn	20.03.12 Henneboel		
				appd.	21.03.12 Fischer		
				norm			
				d-old		dwg no:	
	a	Original				15K1A1014	DIN-A3
	rev.	description	date			name	sh: 1
						part no: 6STD50PAM99B30X	

## Solder Instruction

1. Cable should be prepared for soldering. The cable/wires must be pretinned.
2. Insert cable/wire into solder cup.
3. Operate the soldering iron at 350 °C, 50 Watt max. and use a pencil tip.
4. Put tip to wire in solder cup.
5. After 1 second bring in solder.
6. Heat for 3 seconds longer. Do not heat contact more than 4 seconds in total.
7. Remove soldering iron.
8. Wait until solder gets rigid again.
9. Do not solder adjacent contacts consecutively,  
alternate position within the connector to minimize heat build up.

## RECOMMENDED PANEL CUT-OUT



THIS DRAWING MAY NOT BE COPIED OR REPRODUCED IN ANY WAY, AND MAY NOT BE PASSED ON TO A THIRD PARTY WITHOUT WRITTEN PERMISSION. OWNERSHIP AND COPYRIGHT OF CONEC GmbH DO NOT ALTER CAD DRAWING BY HAND				tolerance		scale: 3:1	
				date	name	material: SEE SHEET 1	
				drawn	20.03.12 Henneboel	title: RECOMMENDED PANEL CUT-OUT D-SUB MALE 50pos. SOLDER CUP with threaded insert and hexlocking screw	
				appd.	21.03.12 Fischer		
				norm			
			d-old		dwg no:		
a	Original		<b>CONEC</b> <sup>®</sup>			15K1A1014	DIN-A3
rev.	description	date				name	part no: SEE SHEET 1

## X-ON Electronics

Largest Supplier of Electrical and Electronic Components

*Click to view similar products for [D-Sub Standard Connectors](#) category:*

*Click to view products by [CONEC](#) manufacturer:*

Other Similar products are found below :

[56F711-015](#) [012-9507-004](#) [LV242999-142T12](#) [015-0341-000](#) [015-0349-000](#) [015-0372-005](#) [015-0372-008](#) [015-8755-001](#) [020419-0104](#) [012-0467-000](#) [012-0515-000](#) [012-9507-034](#) [012-9507-114](#) [020745-0008](#) [609-25P](#) [M24308315F](#) [CT2-14S-2PCA34](#) [CT2-18-11PCAU](#) [CT2-36-15SC](#) [CT6-14S-2SC](#) [CT6E14SA7SC](#) [CT6E22-14PC](#) [CT6E22-14PS](#) [CT6E22-22PS](#) [M83513/01-FC](#) [M85049/48-3-2F](#) [6STD09PCM99B70X](#) [6STD09SCM99B30X](#) [6STD09SCT99S40X](#) [6STD15PCT99S40X](#) [6STD15SCM99B30X](#) [6STD15SCT99S40X](#) [6STF09PCM05B70X](#) [7-135760-9](#) [MC11E-10-6SN](#) [747552-3](#) [MD1-21PS](#) [MDM-15SCBRM7-F222](#) [MDM96517-699](#) [MDM96521-744](#) [MDVB1-21SL1](#) [MIK0-1-7SH003](#) [MIKQ6-7SH076](#) [MIKQ7-7PH077](#) [MIKQ7-7PH11](#) [MIKQ7-7PH32](#) [MIKQ9-7PH003](#) [MJSV-28SL61](#) [MKJ4A1F14-55S](#) [8-135760-3](#)