

NOTES:

1. MATERIALS AND FINISHES:

- INSULATOR: GLASS FILLED PLASTIC UL 94 V-0 RATED, GREY RAL 7035
- CONTACTS: COPPER ALLOY, PLATING MATING AREA: 0.8 µM GOLD OVER NICKEL
PLATING TERMINATION AREA: 0.8-1.5 µM TIN (SN 100)

2. ELECTRICAL CHARACTERISTICS:

CREEPING AND CLEARANCE DISTANCE; MINIMUM SPACING:

- CONTACTS 5-16 TO ANY OTHER CONTACT WITHIN THIS GROUP: 0,7 MM
- CONTACTS 17-24 TO ANY OTHER CONTACT WITHIN THIS GROUP: 2,5 MM
- CONTACT 25 TO 26: 5,5 MM
- CONTACTS 27-34 TO ANY OTHER CONTACT WITHIN THIS GROUP: 1,4 MM
- CONTACTS 13-16 TO 17-20: 3,0 MM
- CONTACTS 21-24 TO 25-26: 4,0 MM
- CONTACTS 25-26 TO 27-29: 2,0 MM

CONTACT CURRENT RATING:

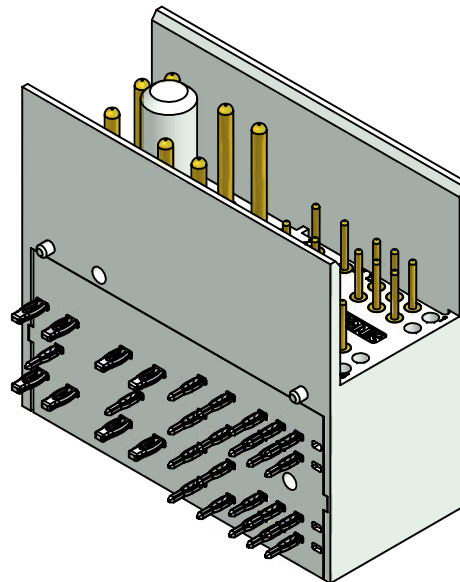
- POWER CONTACTS: 16 AMPERES MINIMUM,
TESTED PER CSA C22.2 NO. 182.3-M1987, ALL CONTACTS UNDER LOAD
- SIGNAL CONTACTS: 2 AMPERES NOMINAL
- INITIAL CONTACT RESISTANCE PER IEC 512-2, TEST 2b:
- POWER CONTACTS: 0,0022 OHM MAX.
- SIGNAL CONTACTS: 0,0085 OHM MAX.
- INSULATION RESISTANCE: 5 G OHM PER IEC 512-2, TEST 3a, METHOD A

3. POSITIONS WITHOUT CONTACTS: 1, 2, 3, 4

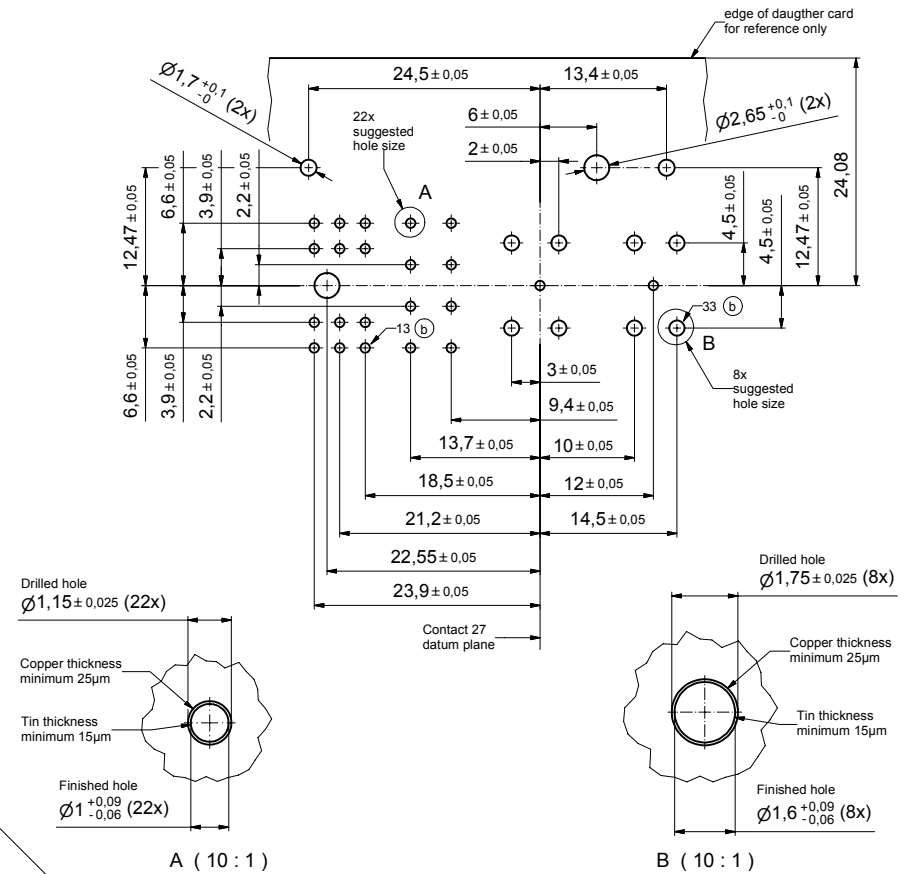
4. WORKING TEMPERATURE: -55°C TO +125°C

5. PRESS-FIT PART OF CONTACTS ARE PATENT PROTECTED

6. CONNECTOR IS PART MARKED: [PART-NO. CONEC ABC]



PCB hole pattern



1	Fixing plate	13			
5	Signal contact type 7	12			
3	Signal contact type 6	11			
2	Signal contact type 5	10			
2	Signal contact type 4	9			
2	Signal contact type 3	8			
3	Signal contact type 2	7			
5	Signal contact type 1	6			
3	Power contact type 4	5			
1	Power contact type 3	4			
3	Power contact type 2	3			
1	Power contact type 1	2			
1	Case 34pos. male	1			
quantity	part description	partlist	item	dwg no. / norm	material

finish: see notes		tolerance: ISO 2768-m	scale: 2,5:1 (10:1)
date: 22.08.05		name: Mankopf	material: see notes
appd.: 22.08.05		norm: Kühle	title: MALE CONNECTOR 30pos. PRESS-FIT ANGLED AdvancedTCA
rev. description		date	
dwg no.: [Inventor]		DIN-A2	
part no.: ATC30W08MAE1S5X		sh: 1	



X-ON Electronics

Largest Supplier of Electrical and Electronic Components

Click to view similar products for [AMC / AMC B+ Connectors](#) category:

Click to view products by [CONEC](#) manufacturer:

Other Similar products are found below :

[CN084A-0002](#) [CN084A-05ME-1](#) [CN084A-10ME-1](#) [CN084A-02M0-1](#) [CN084A-08ME-4](#) [CN080-170-0011](#) [CN084-170-1000-1000-0](#) [75800-0001](#)