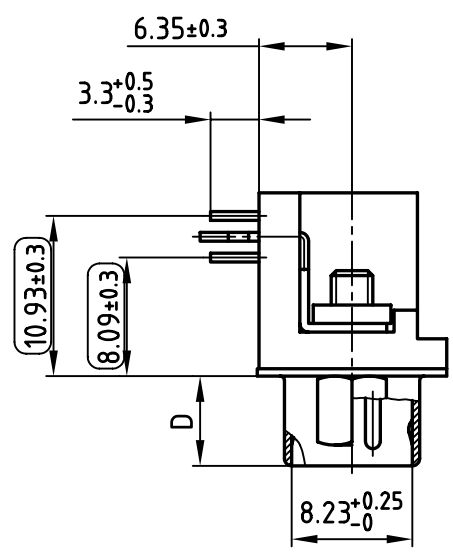
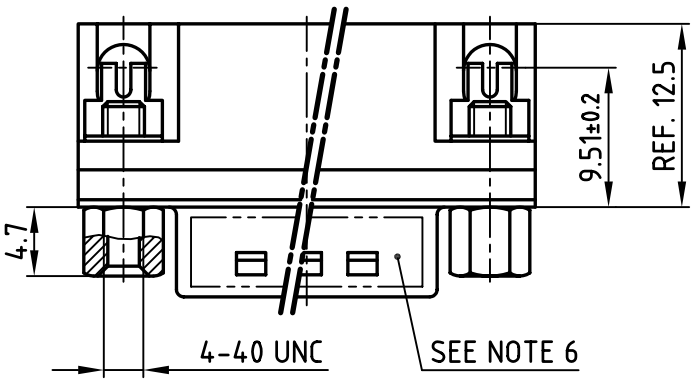
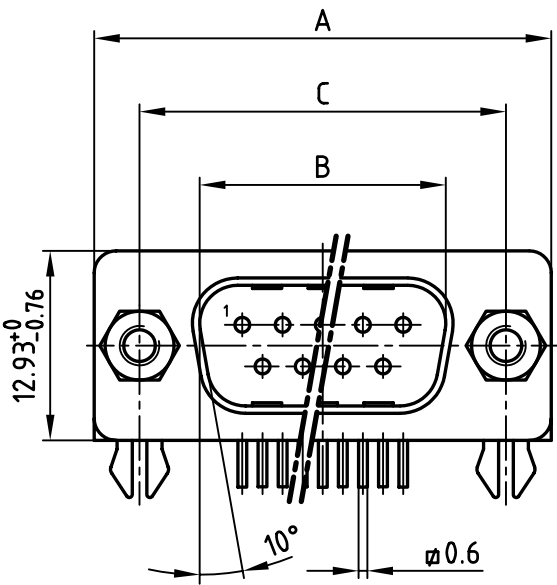


used for: D-SUB

POS.	A ^{-0.76}	B ^{+0.25}	C	D ^{-0.3}	PART-NO.
9	31.19	16.79	25.00 ^{+0.12} _{-0.13}	6.12	DLS1XP5AK40X
15	39.52	25.12	33.30 ^{+0.15} _{-0.1}	6.12	DLS2XP5AK40X
25	53.42	38.84	47.04 ±0.13	5.99	DLS3XP5AK40X
37	69.70	55.30	63.50 ±0.13	5.99	DLS4XP5AK40X



Directive 2002/95/EC
"RoHS"
Compliant

- NOTES:**
- METALSHELLS: STEEL; min. 320µ" TIN
 - INSULATORS: PA UL 94 V-0, BLACK
 - CONTACTS: COPPER ALLOY
PLATING: 8µ" HARD GOLD OVER min. 50µ" NICKEL
 - PCB-CLIP: COPPER ALLOY; min. 200µ" TIN over 80µ" NICKEL
PCB-HOLE: $\phi 3.1 \pm 0.1$; PCB THICKNESS 1.6mm
 - P.C.B. HOLE DRILLINGS SEE SHEET 2
 - CONNECTOR IS PART MARKED: PART-NO. CONEC ABC
 - = CHECK DIMENSION

APPROVAL # FREIGABE # DEBLOCAGE # AUTORIZACION # APPROVAL

CUSTOMER APPROVAL DATE:

NAME: TITLE:

COMPANY NAME:

APPROVAL # FREIGABE # DEBLOCAGE # AUTORIZACION # APPROVAL

THIS DRAWING MAY NOT BE COPIED OR REPRODUCED IN ANY WAY, AND MAY NOT BE PASSED ON TO A THIRD PARTY WITHOUT WRITTEN PERMISSION. OWNERSHIP AND COPYRIGHT OF CONEC GmbH DO NOT ALTER CAD DRAWING BY HAND

rev.	description	date	name

tolerance dim. in mm

2005 date name

drawn 27.06. Lehmenkühler

appd. 27.06. Kühle

norm DIN 41652

d-old

CONEC[®]

scale: 2:1

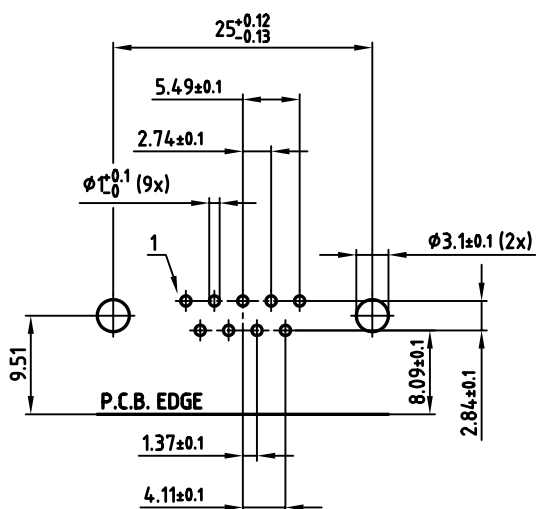
material: SEE NOTES

title: D-SUB MALE 90°
9-37pos. pin angled 0.318", stamped contacts with threaded lock and clip

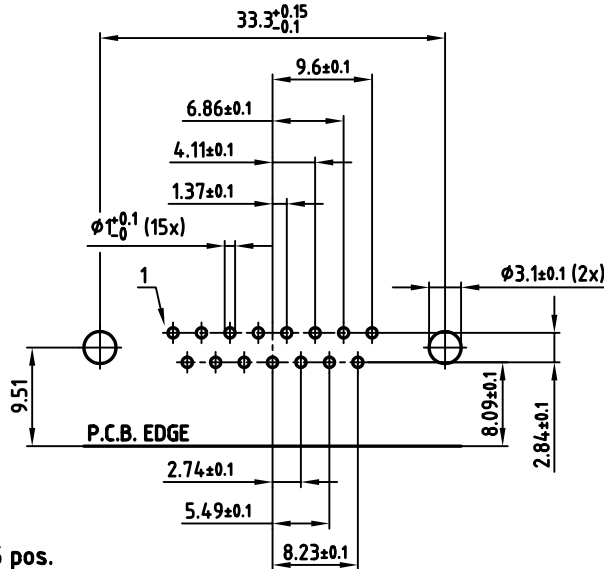
dwg no: AutoCAD 2004 DIN-A
16K1A1438 4
sh:1/2

part no: SEE TABLE

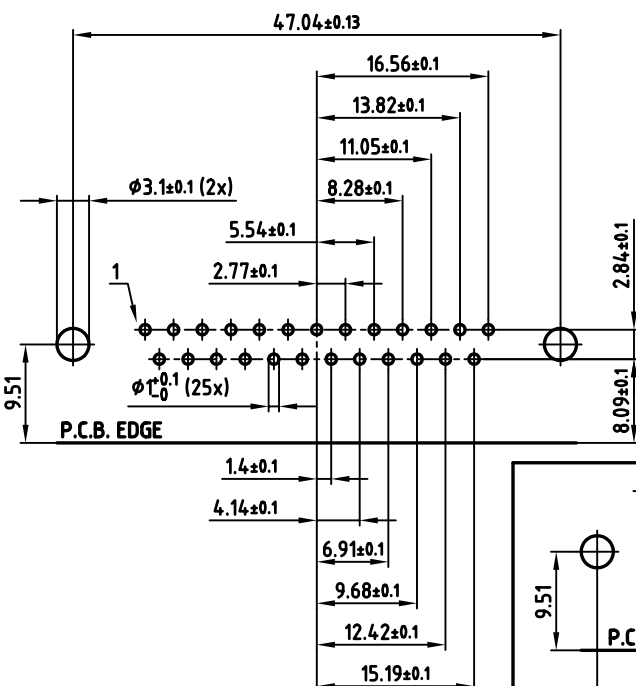
used for: D-SUB



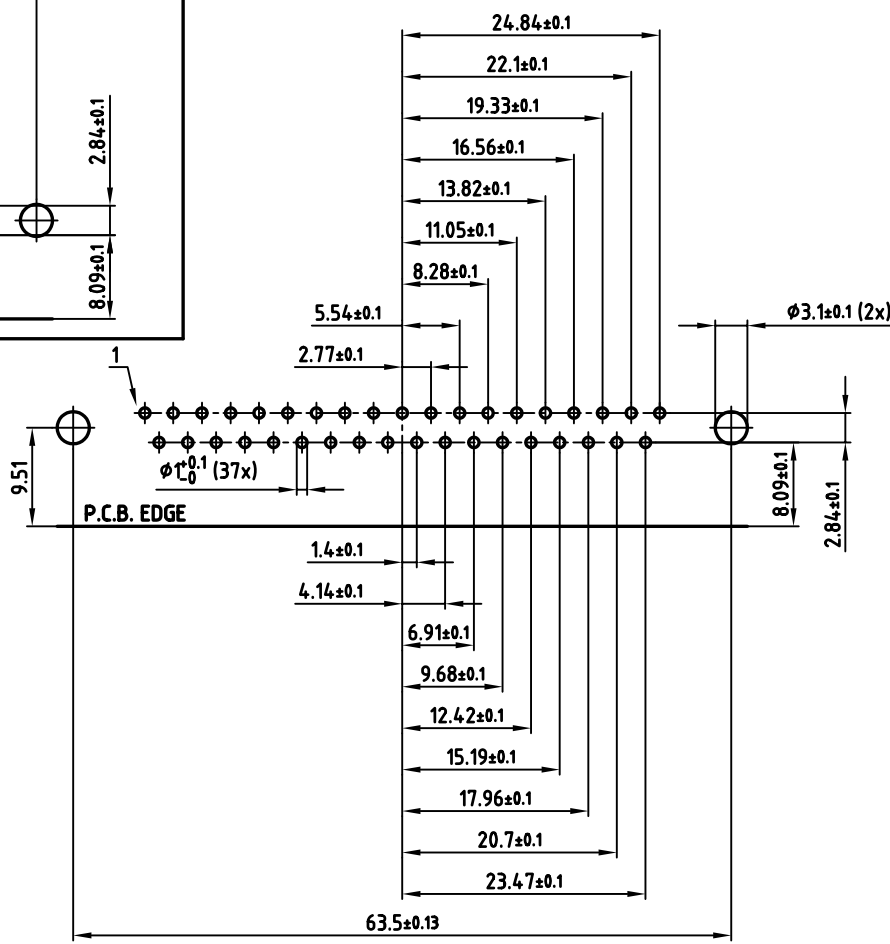
9 pos.



15 pos.



25 pos.



37 pos.

APPROVAL # FREIGABE # DEBLOCAGE # AUTORIZACION # APPROVAL

CUSTOMER APPROVAL DATE:

NAME: TITLE:

COMPANY NAME:

APPROVAL # FREIGABE # DEBLOCAGE # AUTORIZACION # APPROVAL

THIS DRAWING MAY NOT BE COPIED OR REPRODUCED IN ANY WAY, AND MAY NOT BE PASSED ON TO A THIRD PARTY, WITHOUT WRITTEN PERMISSION.

OWNERSHIP AND COPYRIGHT OF CONEC Gmbh

DO NOT ALTER CAD DRAWING BY HAND

rev.	description	date	name

tolerance: \varnothing dim. in mm

scale: 2:1

material: SEE SHEET 1

title: P.C.B. HOLE DRILLINGS

D-SUB MALE 90° 9-37pos. pin angled 0.318"

stamped contacts - with threaded lock and clip

dwg no: AutoCAD 2004 DIN-A

16K1A1438 3 sh:2/2

part no: SEE SHEET 1



X-ON Electronics

Largest Supplier of Electrical and Electronic Components

Click to view similar products for [D-Sub Standard Connectors](#) category:

Click to view products by [CONEC](#) manufacturer:

Other Similar products are found below :

[56F711-015](#) [012-9507-004](#) [LV242999-142T12](#) [015-0341-000](#) [015-0349-000](#) [015-0372-005](#) [015-0372-008](#) [015-8755-001](#) [020419-0104](#) [012-0467-000](#) [012-0515-000](#) [012-9507-034](#) [012-9507-114](#) [020745-0008](#) [609-25P](#) [M24308/2-23Z](#) [CT2-14S-2PCA34](#) [CT2-18-11PCAU](#) [CT2-36-15SC](#) [CT6-14S-2SC](#) [CT6E14SA7SC](#) [CT6E22-14PC](#) [CT6E22-14PS](#) [CT6E22-22PS](#) [M83513/01-FC](#) [M85049/48-3-2F](#) [6STD09PCM99B70X](#) [6STD09SCM99B30X](#) [6STD09SCT99S40X](#) [6STD15PCT99S40X](#) [6STD15SCM99B30X](#) [6STD15SCT99S40X](#) [6STF09PCM05B70X](#) [7-135760-9](#) [MC11E-10-6SN](#) [747552-3](#) [MD1-21PS](#) [MDM-15SCBRM7-F222](#) [MDM96517-699](#) [MDM96521-744](#) [MDVB1-21SL1](#) [MIK0-1-7SH003](#) [MIKQ6-7SH076](#) [MIKQ7-7PH077](#) [MIKQ7-7PH11](#) [MIKQ7-7PH32](#) [MIKQ9-7PH003](#) [MJSV-28SL61](#) [MKJ4A1F14-55S](#) [8-135760-3](#)