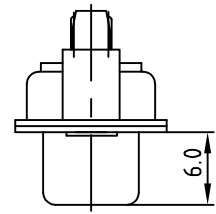
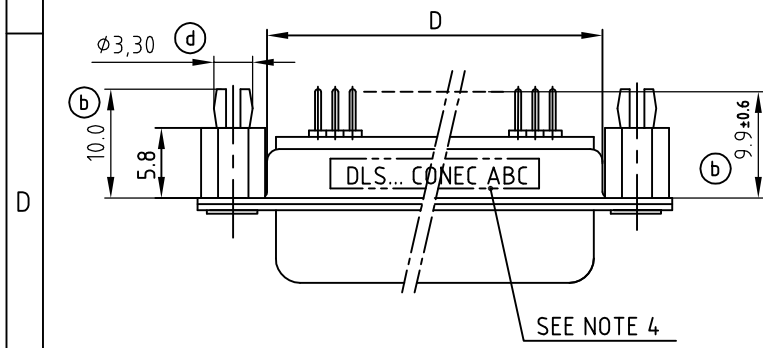


used for: D-SUB
 RECOMMENDED P.C.B. LAYOUT (TOP VIEW)
 TOLERANCES: ±0.05mm



(b) SPECIFICATION

1. MATERIAL:
 - INSULATOR: THERMAL PLASTIC UL 94 V-0
 - CONTACTS: COPPER ALLOY
 - SHELL: STEEL
 - RIVET, BOARDLOCK: COPPER ALLOY
2. CONTACT PLATING:
 - UNDERPLATE: 50µin NICKEL
 - CONTACT AREA: GOLD FLASH
 - SOLDER TAILS AREA: GOLD FLASH
3. ELECTRICAL:
 - OPERATION VOLTAGE: 250 VAC max.
 - CURRENT RATING: 3A max.
 - CONTACT RESISTANCE: 15 mOhm max.
 - INSULATION RESISTANCE: 3000 MOhm min. @ 500 VDC
 - DIELECTRIC WITHSTANDING VOLTAGE: 1000 VAC / MINUTE
 - OPERATING TEMPERATURE: -55°C TO +105°C
4. CONNECTOR IS PART MARKED: DLS.XS4AA35X CONEC ABC

(c)

Part NO.	POS.	A	B-0.25	C	D
DLS1XS4AA35X	9	30.80	16.46	25.00 ^{+0.12} / _{-0.0}	19.20
DLS2XS4AA35X	15	39.20	24.79	33.30 ^{+0.15} / _{-0.10}	27.70
DLS3XS4AA35X	25	53.10	38.50	47.04 ^{+0.13}	41.10
DLS4XS4AA35X	37	69.40	54.96	63.50 ^{+0.13}	57.30

THIS DRAWING MAY NOT BE COPIED OR REPRODUCED IN ANY WAY, AND MAY NOT BE PASSED ON TO A THIRD PARTY WITHOUT WRITTEN PERMISSION.
 OWNERSHIP AND COPYRIGHT OF CONEC GmbH
 DO NOT ALTER CAD DRAWING BY HAND

tolerance		dim. in mm	
(b)	ANG. ±5°	0. ±0.5	0.0 ±0.3
	0. ±0.2	0.0 ±0.2	
2005	date	name	
drawn	06.10.	Lehmenkühler	
appd.	06.10.	Mickenbecker	
1 x d	Ä5116	03.03.2014	K.H.
5 x c	Ä5105	20.02.2014	K.H.
5 x b	Ä5062	27.01.2014	K.H.
a	Original		
rev.	description	date	name



scale:	2:1
material:	SEE NOTES
title:	D-SUB FEMALE 9-37pos. PCB STRAIGHT STAMPED CONTACTS with 5.8mm snap-in rivet
dwg no:	AutoCAD
	DIN-A 4
part no:	16K1A1515
	sh: 1
part no:	SEE TABLE

X-ON Electronics

Largest Supplier of Electrical and Electronic Components

Click to view similar products for [D-Sub Standard Connectors](#) category:

Click to view products by [CONEC](#) manufacturer:

Other Similar products are found below :

[56F711-015](#) [012-9507-004](#) [LV242999-142T12](#) [015-0341-000](#) [015-0349-000](#) [015-0372-005](#) [015-0372-008](#) [015-8755-001](#) [020419-0104](#) [012-0467-000](#) [012-0515-000](#) [012-9507-034](#) [012-9507-114](#) [020745-0008](#) [609-25P](#) [CT2-14S-2PCA34](#) [CT2-18-11PCAU](#) [CT2-36-15SC](#) [CT6-14S-2SC](#) [CT6E14SA7SC](#) [CT6E22-14PC](#) [CT6E22-14PS](#) [CT6E22-22PS](#) [M83513/01-FC](#) [M85049/48-3-2F](#) [6STD09PCM99B70X](#) [6STD09SCM99B30X](#) [6STD09SCT99S40X](#) [6STD15PCT99S40X](#) [6STD15SCM99B30X](#) [6STD15SCT99S40X](#) [6STF09PCM05B70X](#) [7-135760-9](#) [MC11E-10-6SN](#) [747552-3](#) [MD1-21PS](#) [MDM-15SCBRM7-F222](#) [MDM96517-699](#) [MDM96521-744](#) [MDVB1-21SL1](#) [MIK0-1-7SH003](#) [MIKQ6-7SH076](#) [MIKQ7-7PH077](#) [MIKQ7-7PH11](#) [MIKQ7-7PH32](#) [MIKQ9-7PH003](#) [MJSV-28SL61](#) [MKJ4A1F14-55S](#) [8-135760-3](#) [8STD09PCM99B30X](#)