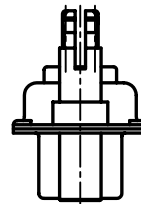
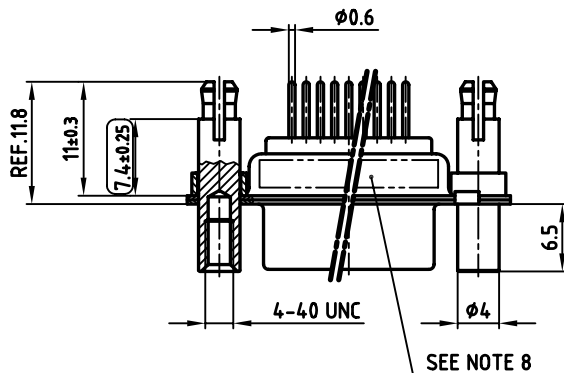
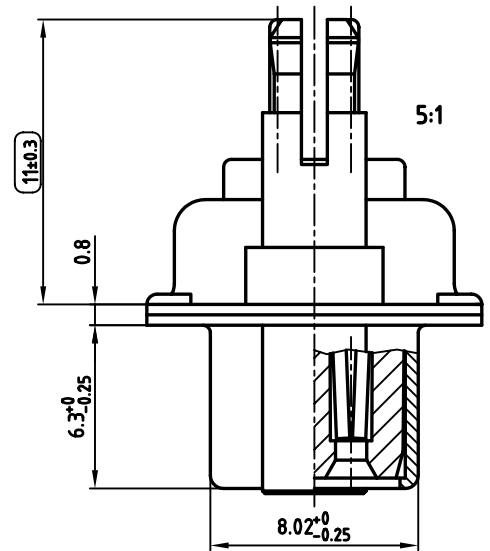
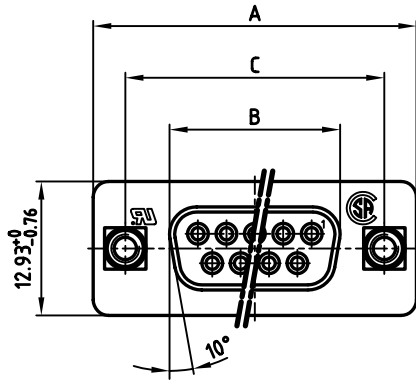


used for: D-SUB



POS.	A -0.76	B -0.25	C	Part No.
9	31.19	16.46	25.00 <sup>+0.12</sup> <sub>-0.13</sub>	DSS1XSRAA17X
15	39.52	24.79	33.30 <sup>+0.15</sup> <sub>-0.1</sub>	DSS2XSRAA17X
25	53.42	38.50	47.04±0.13	DSS3XSRAA17X
37	69.70	54.96	63.50±0.13	DSS4XSRAA17X

**NOTES:**

- METALSHELLS: STEEL; min. 320µ" TIN
- INSULATORS: PBT GF UL 94 V-0, BLACK
- CONTACTS: COPPER ALLOY  
PLATING: 8µ" HARD GOLD OVER min. 50µ" NICKEL
- THREADED LOCK/SPACER CLIP: COPPER ALLOY; min. 200µ" TIN over 80µ" NICKEL  
PCB-HOLE: φ3.1±0.1; PCB THICKNESS 2.3mm
- COLLAR: COPPER ALLOY; min. 200µ" TIN over 80µ" NICKEL
- P.C.B. HOLE DRILLINGS ON SHEET 2
- MAXIMUM TORQUE VALUE FOR THREAD: 6" LBS
- CONNECTOR IS PART MARKED: PART-NO. CONEC ABC
- = CHECK DIMENSION



APPROVAL # FREIGABE # DEBLOCAGE # AUTORIZACION # APPROVAL

CUSTOMER APPROVAL DATE:

NAME: TITLE:

COMPANY NAME:

APPROVAL # FREIGABE # DEBLOCAGE # AUTORIZACION # APPROVAL

THIS DRAWING MAY NOT BE COPIED OR REPRODUCED IN ANY WAY, AND MAY NOT BE PASSED ON TO A THIRD PARTY, WITHOUT WRITTEN PERMISSION. OWNERSHIP AND COPYRIGHT OF CONEC Gmbh DO NOT ALTER CAD DRAWING BY HAND

rev.	description	date	name

tolerance		scale: 2:1
dim. in mm		material: SEE NOTES
2005	date	name
drawn	01.08.	Lehmenkühler
appd.	01.08.	Mickenbecker
norm	DIN 41652	
d-old		
<b>CONEC</b>		

title: **D-SUB FEMALE**  
9-37pos. SOLDER PIN STRAIGHT  
with threaded lock and spacer clip

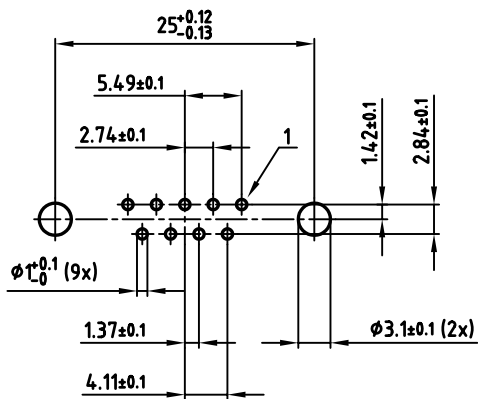
dwg no: AutoCAD 2004

**16K1A1468**

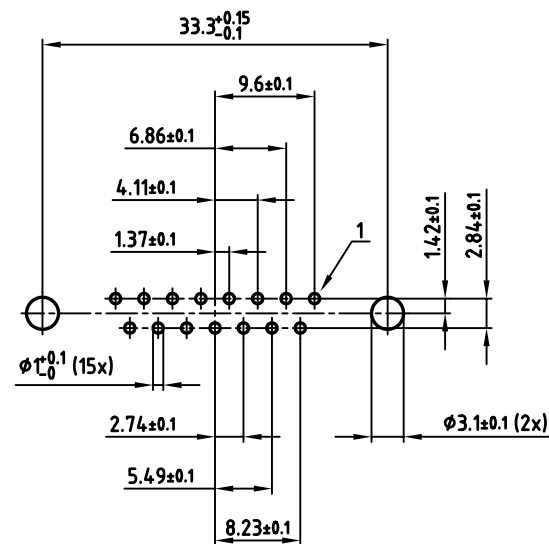
part no: SEE TABLE

DIN-A 3 sh:1/2

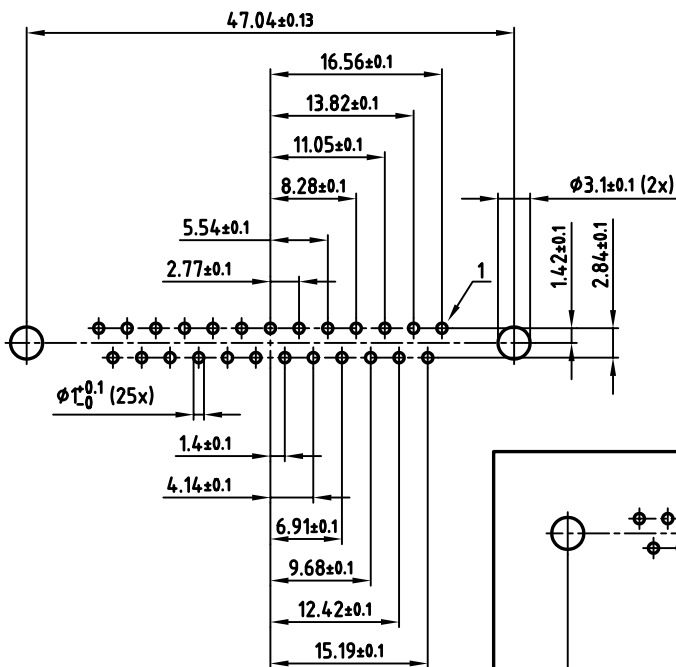
used for: D-SUB



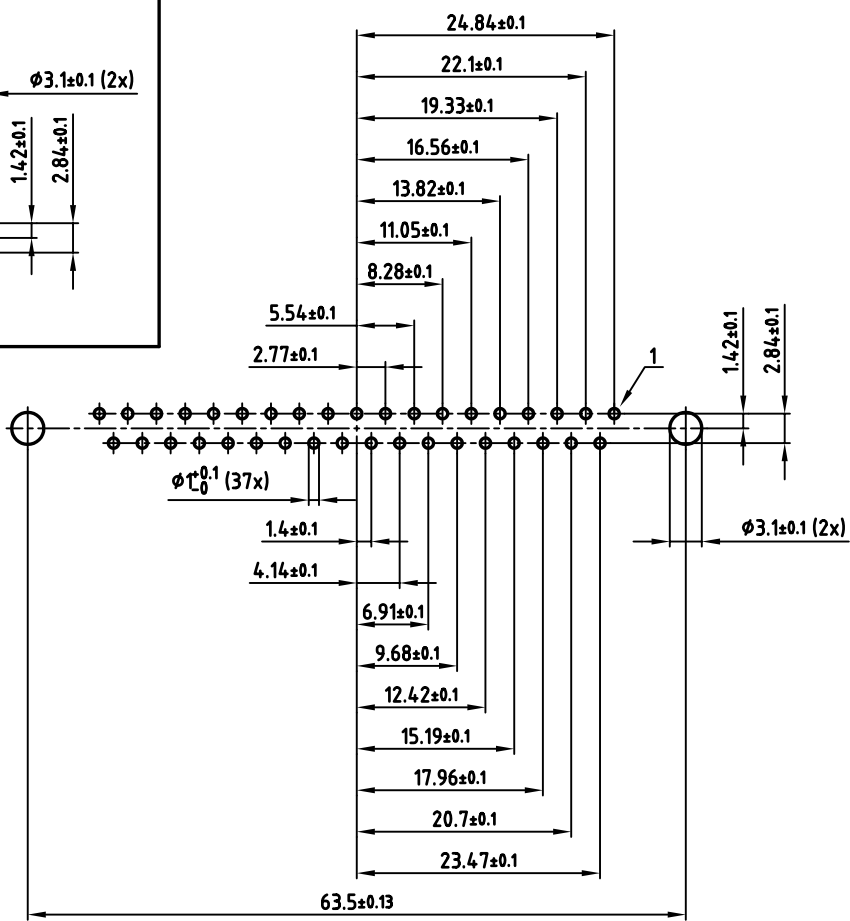
9 pos.



15 pos.



25 pos.



37 pos.

APPROVAL # FREIGABE # DEBLOCAGE # AUTORIZACION # APPROVAL

CUSTOMER APPROVAL DATE:

NAME: TITLE:

COMPANY NAME:

APPROVAL # FREIGABE # DEBLOCAGE # AUTORIZACION # APPROVAL

THIS DRAWING MAY NOT BE COPIED OR REPRODUCED IN ANY WAY, AND MAY NOT BE PASSED ON TO A THIRD PARTY, WITHOUT WRITTEN PERMISSION. OWNERSHIP AND COPYRIGHT OF CONEC GmbH DO NOT ALTER CAD DRAWING BY HAND

rev.	description	date	name

tolerance		scale:	2:1
	dim. in mm	material:	SEE SHEET 1
2005	date	name	
drawn	01.08.	Lehmenkühler	
appd.	01.08.	Mickenbecker	
norm	DIN 41652		
d-old			
		dwg no:	AutoCAD 2004
			DIN-A
		part no:	SEE SHEET 1
			3
			sh:2/2

title: P.C.B. HOLE DRILLINGS  
D-SUB FEMALE 9-37pos. SOLDER PIN  
with threaded lock and spacer clip

dwg no: AutoCAD 2004

16K1A1468

part no: SEE SHEET 1

## X-ON Electronics

Largest Supplier of Electrical and Electronic Components

*Click to view similar products for [D-Sub Standard Connectors](#) category:*

*Click to view products by [CONEC](#) manufacturer:*

Other Similar products are found below :

[56F711-015](#) [012-9507-004](#) [LV242999-142T12](#) [015-0341-000](#) [015-0349-000](#) [015-0372-005](#) [015-0372-008](#) [015-8755-001](#) [020419-0104](#) [012-0467-000](#) [012-0515-000](#) [012-9507-034](#) [012-9507-114](#) [020745-0008](#) [609-25P](#) [M24308315F](#) [CT2-14S-2PCA34](#) [CT2-18-11PCAU](#) [CT2-36-15SC](#) [CT6-14S-2SC](#) [CT6E14SA7SC](#) [CT6E22-14PC](#) [CT6E22-14PS](#) [CT6E22-22PS](#) [M83513/01-FC](#) [M85049/48-3-2F](#) [6STD09PCM99B70X](#) [6STD09SCM99B30X](#) [6STD09SCT99S40X](#) [6STD15PCT99S40X](#) [6STD15SCM99B30X](#) [6STD15SCT99S40X](#) [6STF09PCM05B70X](#) [7-135760-9](#) [MC11E-10-6SN](#) [747552-3](#) [MD1-21PS](#) [MDM-15SCBRM7-F222](#) [MDM96517-699](#) [MDM96521-744](#) [MDVB1-21SL1](#) [MIK0-1-7SH003](#) [MIKQ6-7SH076](#) [MIKQ7-7PH077](#) [MIKQ7-7PH11](#) [MIKQ7-7PH32](#) [MIKQ9-7PH003](#) [MJSV-28SL61](#) [MKJ4A1F14-55S](#) [8-135760-3](#)