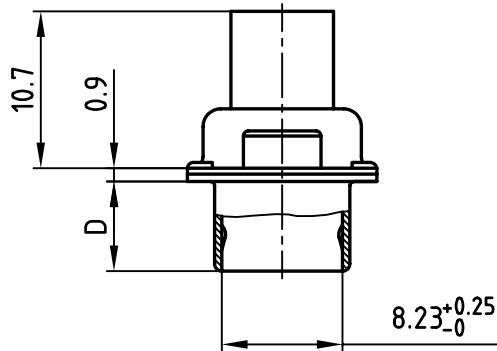
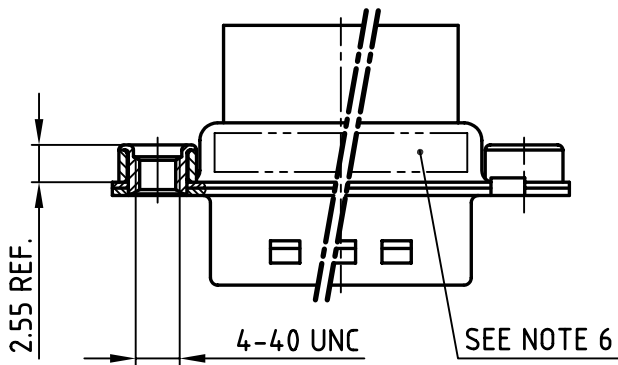
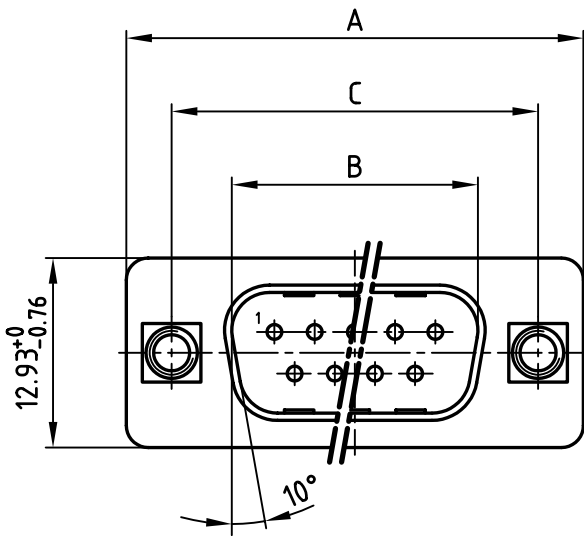


used for: D-SUB

POS.	A ^{-0.76}	B ^{+0.25}	C	D ^{-0.3}	Part-NO.
9	31.19	16.79	25.00 ^{+0.12} / _{-0.13}	6.12	DSS1XPXXG04X
15	39.52	25.12	33.30 ^{+0.15} / _{-0.1}	6.12	DSS2XPXXG04X
25	53.42	38.84	47.04 ±0.13	5.99	DSS3XPXXG04X
37	69.70	55.30	63.50 ±0.13	5.99	DSS4XPXXG04X



Directive 2002/95/EC
"RoHS"
Compliant

NOTES:

1. METALSHELLS: STEEL; min. 315µm TIN over 40-80µm NICKEL
2. INSULATORS: PBT GF UL 94 V-0, BLACK
3. THREADED INSERT: COPPER ALLOY; min. 200µm TIN over 80µm NICKEL
4. COLLAR: COPPER ALLOY; min. 200µm TIN over 80µm NICKEL
5. MAXIMUM TORQUE VALUE FOR THREAD: 6in.LBS
6. CONNECTOR IS PART MARKED: PART-NO. CONEC ABC

APPROVAL # FREIGABE # DEBLOCAGE # AUTORIZACION # APPROVAL	
CUSTOMER APPROVAL DATE:	
NAME:	TITLE:
COMPANY NAME:	
APPROVAL # FREIGABE # DEBLOCAGE # AUTORIZACION # APPROVAL	

THIS DRAWING MAY NOT BE COPIED OR REPRODUCED IN ANY WAY, AND MAY NOT BE PASSED ON TO A THIRD PARTY WITHOUT WRITTEN PERMISSION.
 OWNERSHIP AND COPYRIGHT OF CONEC GmbH
 DO NOT ALTER CAD DRAWING BY HAND

tolerance			 dim. in mm	scale: 2:1
				material: SEE NOTES
2006	date	name	D-SUB MALE 9-37pos. CRIMP STYLE with threaded insert	
drawn	29.09.	Lehmenkühler		
appd.	02.10.	Kühle		
norm	DIN 41652			
d-old			dwg no: AutoCAD 2006	DIN-A
a	Origin		16K1A1903	
rev.	description	date	name	sh: 1/1



part no: SEE TABLE

X-ON Electronics

Largest Supplier of Electrical and Electronic Components

Click to view similar products for [D-Sub Standard Connectors](#) category:

Click to view products by [CONEC](#) manufacturer:

Other Similar products are found below :

[56F711-015](#) [012-9507-004](#) [LV242999-142T12](#) [015-0341-000](#) [015-0349-000](#) [015-0372-005](#) [015-0372-008](#) [015-8755-001](#) [020419-0104](#) [012-0467-000](#) [012-0515-000](#) [012-9507-034](#) [012-9507-114](#) [020745-0008](#) [609-25P](#) [M24308/2-23Z](#) [M24308315F](#) [CT2-14S-2PCA34](#) [CT2-18-11PCAU](#) [CT2-36-15SC](#) [CT6-14S-2SC](#) [CT6E14SA7SC](#) [CT6E22-14PC](#) [CT6E22-14PS](#) [CT6E22-22PS](#) [M83513/01-FC](#) [M85049/48-3-2F](#) [6STD09PCM99B70X](#) [6STD09SCM99B30X](#) [6STD09SCT99S40X](#) [6STD15PCT99S40X](#) [6STD15SCM99B30X](#) [6STD15SCT99S40X](#) [6STF09PCM05B70X](#) [7-135760-9](#) [MC11E-10-6SN](#) [747552-3](#) [MD1-21PS](#) [MDM-15SCBRM7-F222](#) [MDM96517-699](#) [MDM96521-744](#) [MDVB1-21SL1](#) [MIK0-1-7SH003](#) [MIKQ6-7SH076](#) [MIKQ7-7PH077](#) [MIKQ7-7PH11](#) [MIKQ7-7PH32](#) [MIKQ9-7PH003](#) [MJSV-28SL61](#) [MKJ4A1F14-55S](#)