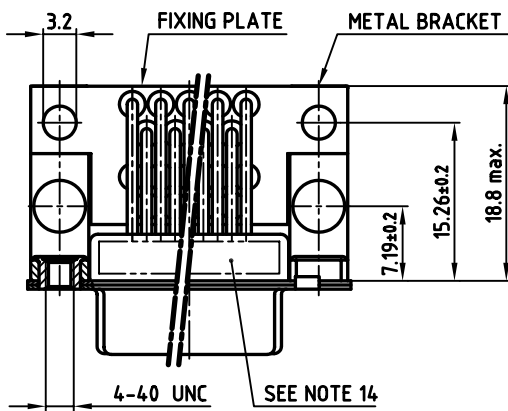
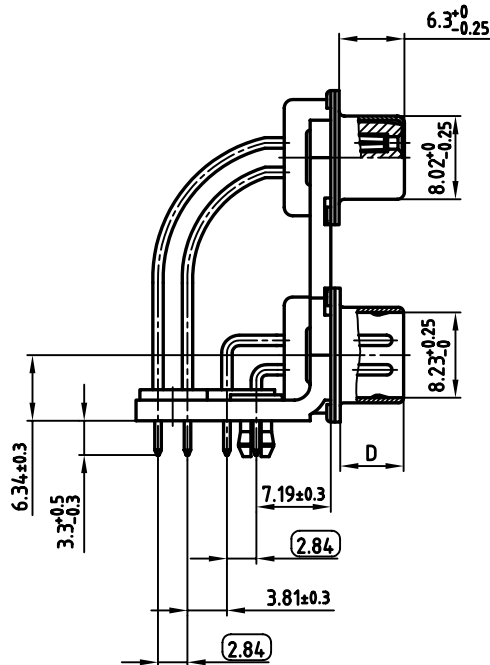
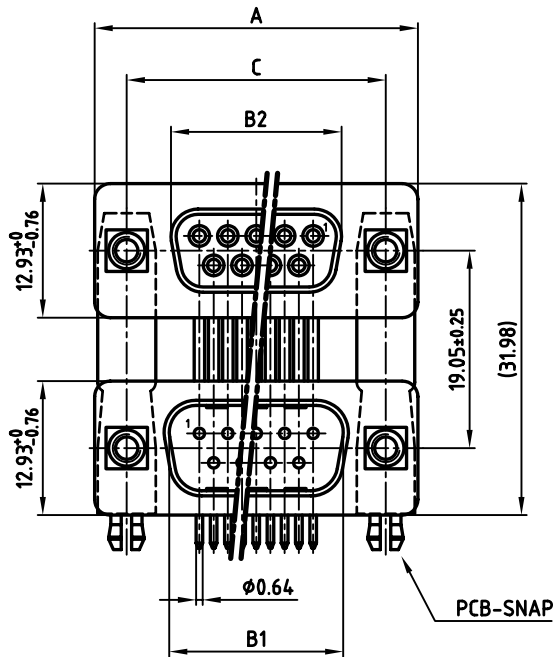


used for: D-SUB FILTER DUAL PORT

POS.	A <sub>-0.76</sub>	B1 <sup>+0.25</sup>	B2 <sub>-0.25</sub>	C	D <sub>-0.3</sub>	PART-NO.
2x 9	31.19	16.79	16.46	25.00 <sup>+0.12 -0.13</sup>	6.12	FDCNSPTAN13S132X
2x15	39.52	25.12	24.79	33.30 <sup>+0.15 -0.1</sup>	6.12	FDCPSPTAN13S132X
2x25	53.42	38.84	38.50	47.04 <sup>±0.13</sup>	5.99	FDCRSPTAN13S132X
2x37	69.70	55.30	54.96	63.50 <sup>±0.13</sup>	5.99	FDCSSPTAN13S132X



**NOTES:**

- RoHS COMPLIANT
- SUITABLE FOR WAVE SOLDERING
- METALSHELLS: COPPER ALLOY; min. 320µ" TIN
- INSULATORS: HIGH TEMPERATURE PLASTIC UL 94 V-0, BLACK
- CONTACTS: COPPER ALLOY  
PLATING: 8µ" HARD GOLD OVER min. 50µ" NICKEL
- METAL BRACKET: STEEL; min. 320µ" TIN over 80µ" NICKEL
- THREADED INSERT: COPPER ALLOY; min. 200µ" TIN over 80µ" NICKEL
- PCB-SNAP: COPPER ALLOY; min. 200µ" TIN over 80µ" NICKEL  
PCB-HOLE:  $\phi 3.1 \pm 0.1$ ; PCB THICKNESS 1.6mm
- FIXING-PLATE: HIGH TEMPERATURE PLASTIC UL 94 V-0, BLACK
- P.C.B. HOLE DRILLINGS ON SHEET 2 +3
- CAPACITANCE: 1300pF ±20%
- DIELECTRIC WITHSTANDING VOLTAGE: 424 VDC
- MAXIMUM TORQUE VALUE FOR THREAD: 6" LBS
- CONNECTOR IS PART MARKED: PART-NO. CONEC ABC
- = CHECK DIMENSION

Directive 2002/95/EC  
RoHS  
Compliant

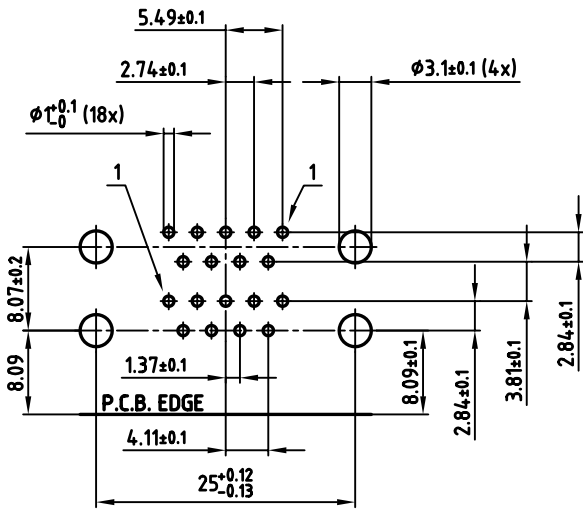
APPROVAL # FREIGABE # DEBLOCAGE # AUTORIZACION # APPROVAL	
CUSTOMER APPROVAL DATE:	
NAME:	TITLE:
COMPANY NAME:	
APPROVAL # FREIGABE # DEBLOCAGE # AUTORIZACION # APPROVAL	

THIS DRAWING MAY NOT BE COPIED OR REPRODUCED IN ANY WAY, AND MAY NOT BE PASSED ON TO A THIRD PARTY, WITHOUT WRITTEN PERMISSION. OWNERSHIP AND COPYRIGHT OF CONEC GmbH DO NOT ALTER CAD DRAWING BY HAND			
rev.	description	date	name
a	Origin		

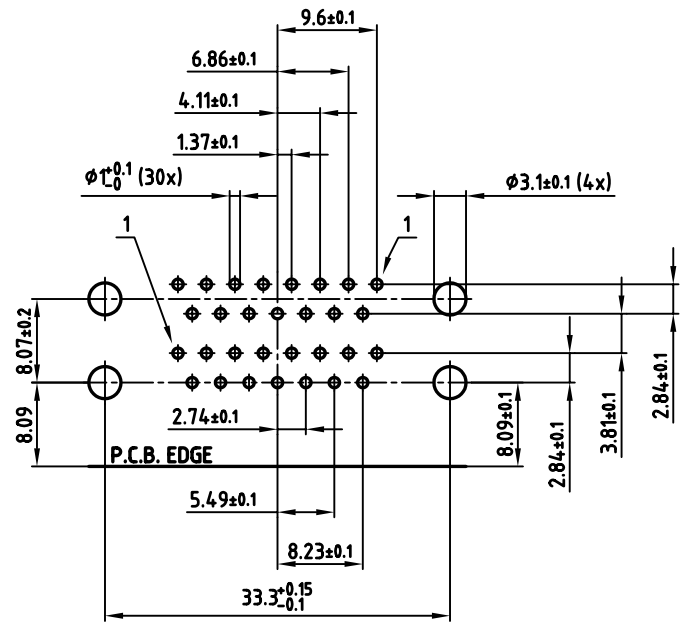
tolerance		scale:	2:1
	dim. in mm	material:	SEE NOTES
2006	date	name	title:
drawn	24.01.	Schmidt	D-SUB FILTER DUAL PORT 19.05mm
appd.	24.01.	Fischer	FEMALE / MALE 2x9pos. - 2x37pos.
norm	DIN 41652		with threaded insert and 2 PCB clips
d-old			dwg no: AutoCAD 2004 DIN-A
			3
			sh:1/3
CONEC®			part no: SEE TABLE

dwg no:	AutoCAD 2004	DIN-A
24K1A748		3
part no: SEE TABLE		sh:1/3

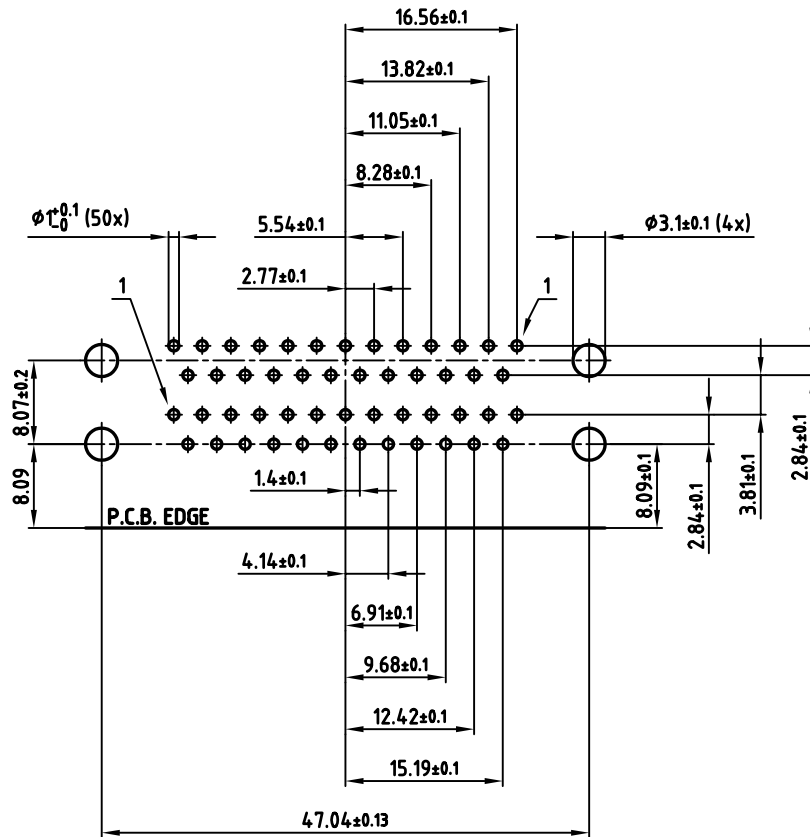
used for: D-SUB FILTER DUAL PORT



2x9pos.



2x15pos.



2x25pos.

APPROVAL \* FREIGABE \* DEBLOCAGE \* AUTORIZACION \* APPROVAL

CUSTOMER APPROVAL DATE:

NAME: TITLE:

COMPANY NAME:

APPROVAL \* FREIGABE \* DEBLOCAGE \* AUTORIZACION \* APPROVAL

THIS DRAWING MAY NOT BE COPIED OR REPRODUCED IN ANY WAY, AND MAY NOT BE PASSED ON TO A THIRD PARTY, WITHOUT WRITTEN PERMISSION. OWNERSHIP AND COPYRIGHT OF CONEC GmbH DO NOT ALTER CAD DRAWING BY HAND

rev.	description	date	name
a	Origin		

tolerance	$\varnothing$	dim. in mm
2006	date	name
drawn	24.01.	Schmidt
appd.	24.01.	Fischer
norm	DIN 41652	
d-old		

scale: 2:1

material: SEE SHEET 1

title: P.C.B. HOLE DRILLINGS  
D-SUB FILTER DUAL PORT 19.05mm  
FEMALE / MALE 2x9pos. - 2x25pos.

dwg no: AutoCAD 2004 DIN-A  
3 sh:2/3

part no: SEE SHEET 1

6

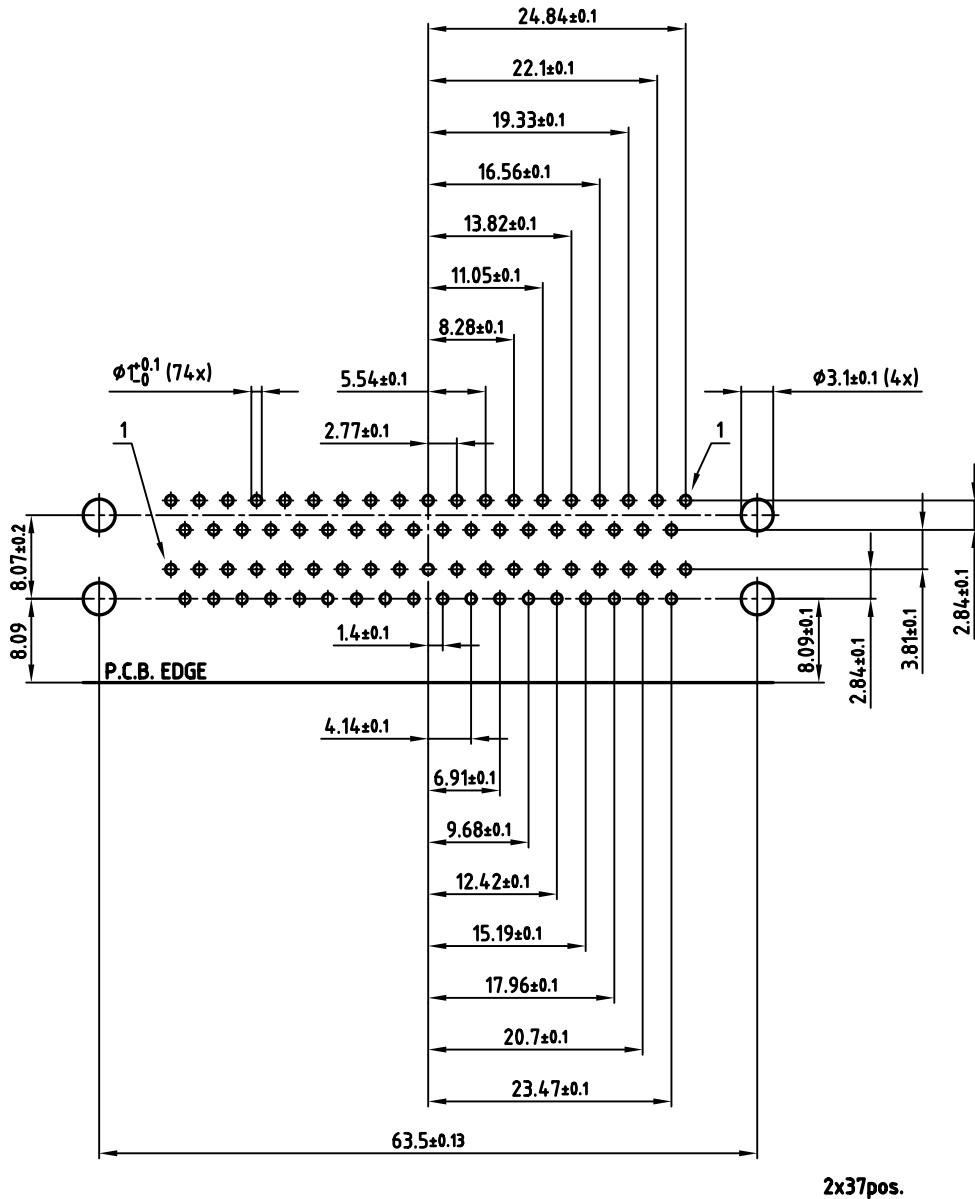
5

4

2

1

used for: D-SUB FILTER DUAL PORT



APPROVAL * FREIGABE * DEBLOCAGE * AUTORIZACION * APPROVAL	
CUSTOMER APPROVAL DATE:	
NAME:	TITLE:
COMPANY NAME:	
APPROVAL * FREIGABE * DEBLOCAGE * AUTORIZACION * APPROVAL	

THIS DRAWING MAY NOT BE COPIED OR REPRODUCED IN ANY WAY, AND MAY NOT BE PASSED ON TO A THIRD PARTY, WITHOUT WRITTEN PERMISSION. OWNERSHIP AND COPYRIGHT OF CONEC GmbH DO NOT ALTER CAD DRAWING BY HAND

rev.	description	date	name
a	Origin		

tolerance		 dim. in mm
2006	date	
drawn	24.01.	name
appd.	24.01.	Fischer
norm		DIN 41652
d-old		

scale:	2:1
material:	SEE SHEET 1
title:	
<b>P.C.B. HOLE DRILLINGS</b> D-SUB FILTER DUAL PORT 19.05mm FEMALE / MALE 2x37pos.	
dwg no:	AutoCAD 2004
<b>24K1A748</b>	
part no:	SEE SHEET 1

DIN-A  
3  
sh:3/3

## X-ON Electronics

Largest Supplier of Electrical and Electronic Components

*Click to view similar products for [D-Sub Dualport Connectors](#) category:*

*Click to view products by [CONEC](#) manufacturer:*

Other Similar products are found below :

[787672-3](#) [164A15909X](#) [K42X-E15S/S-A4NJ](#) [K42X-E9SS-A4NJ](#) [242A14060X](#) [164A15819X](#) [DLS2SS5AN21X](#) [241A22450X](#) [242A14180X](#)  
[241A14190X](#) [DLS4SS5AN21X](#) [178-037-513R491](#) [178-037-613R491](#) [178-009-413R571](#) [178-009-513R571](#) [178-009-613R491](#) [178-009-613R691](#) [178-015-513R571](#) [178-015-613R571](#) [178-025-513R571](#) [179-009-513R571](#) [179-009-613R571](#) [179-025-513R571](#) [179-037-513R571](#)  
[K42X-E15S/S-A4N](#) [K42X-E9S/P-A4N](#) [L17H2220131](#) [178-015-513R491](#) [178-025-613R481](#) [178-025-613R571](#) [178-037-513R571](#) [178-037-513R671](#) [L17H2220120](#) [L17H2ED0130](#) [L17H1440130](#) [L17H1770231](#) [L17H2110120](#) [L17H2440120TM](#) [L17H1431134](#) [L17H1212130](#)  
[L17H2212120](#) [L17H1222134](#) [L17H2662120TM](#) [L17H2550120](#) [L17H2440120](#) [L17H2440121](#) [L17H1120134](#) [L17H2120120](#) [L17H2120230](#)  
[L17H1440134](#)