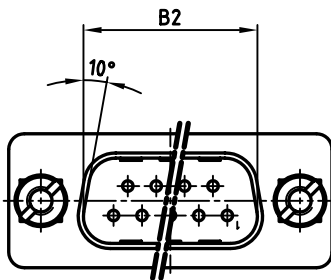
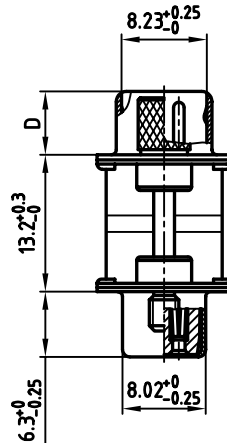
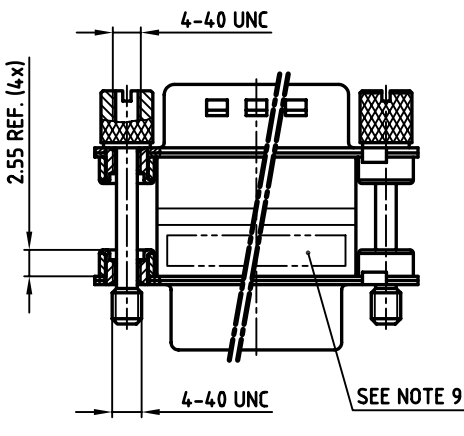
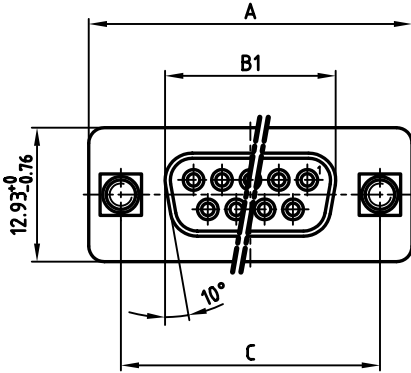


used for: FULL METAL π -FILTER

POS.	PART NO. SOCKET CONNECTOR / PLUG CONNECTOR 4-40 UNC			
	2 x 180pF±20%	2 x 370pF±20%	2 x 830pF±20%	2 x 1300pF±20%
9	MAP1XAAAR02R361X	MAP1XAAAR02R741X	MAP1XAAAR02R162X	MAP1XAAAR02R262X
15	MAP2XAAAR02R361X	MAP2XAAAR02R741X	MAP2XAAAR02R162X	MAP2XAAAR02R262X
25	MAP3XAAAR02R361X	MAP3XAAAR02R741X	MAP3XAAAR02R162X	MAP3XAAAR02R262X
37	MAP4XAAAR02R361X	MAP4XAAAR02R741X	MAP4XAAAR02R162X	MAP4XAAAR02R262X

POS.	A ^{-0.76}	B1 ^{-0.25}	B2 ^{+0.25}	C	D ^{-0.3}
9	31.19	16.46	16.79	25.00 ^{+0.12} _{-0.13}	6.12
15	39.52	24.79	25.12	33.30 ^{+0.15} _{-0.1}	6.12
25	53.42	38.50	38.84	47.04 ^{+0.13}	5.99
37	69.70	54.96	55.30	63.50 ^{+0.13}	5.99



NOTES:

- METALSHELLS: STEEL; min. 320 μ " TIN
- INSULATORS: PBT GF UL 94 V-0, BLACK
- CONTACTS: COPPER ALLOY
PLATING: 8 μ " HARD GOLD OVER min. 50 μ " NICKEL
- THREADED INSERT: COPPER ALLOY; min. 200 μ " TIN over 80 μ " NICKEL
- COLLAR: COPPER ALLOY; min. 200 μ " TIN over 80 μ " NICKEL
- CAPACITANCE: SEE TABLE
- DIELECTRIC WITHSTANDING VOLTAGE: 300 VDC
- MAXIMUM TORQUE VALUE FOR THREAD: 6" LBS
- CONNECTOR IS PART MARKED: PART-NO. CONEC ABC

Directive 2002/95/EC
RoHS
Compliant

APPROVAL # FREIGABE # DEBLOCAGE # AUTORIZACION # APPROVAL

CUSTOMER APPROVAL DATE:

NAME: _____ TITLE: _____

COMPANY NAME: _____

APPROVAL # FREIGABE # DEBLOCAGE # AUTORIZACION # APPROVAL

THIS DRAWING MAY NOT BE COPIED OR REPRODUCED IN ANY WAY, AND MAY NOT BE PASSED ON TO A THIRD PARTY, WITHOUT WRITTEN PERMISSION. OWNERSHIP AND COPYRIGHT OF CONEC Gmbh DO NOT ALTER CAD DRAWING BY HAND

rev.	description	date	name

tolerance scale: 2:1

material: SEE NOTES

title: **FULL METAL π -FILTER ADAPTER**
PLUG / SOCKET 9-37pos.
with jack screws - 4-40 UNC

dwg no: AutoCAD 2000 DIN-A
24K1A357 3
sh: 1/1

part no: SEE TABLE

X-ON Electronics

Largest Supplier of Electrical and Electronic Components

Click to view similar products for D-Sub Adapters & Gender Changers category:

Click to view products by CONEC manufacturer:

Other Similar products are found below :

[243A10120X](#) [243A11070X](#) [243A13290X](#) [243A13460X](#) [300X10729X](#) [300X10759X](#) [GCHDLP26F26F](#) [30-9532P](#) [40-9586FP](#) [500-135](#) [40-9526HDMP](#) [56F715-003](#) [243A11800X](#) [243A10560X](#) [40-9526HDSP](#) [243A11060X](#) [56-745-005](#) [243A10580X](#) [56-725-001](#) [SC485](#) [173114-0088](#) [173114-0099](#) [76000670](#) [76000700](#) [NADB9MF](#) [2902323](#) [2902326](#) [40-9538F](#) [163A50049X](#) [NADB15FF-B](#) [NADB9FF-B](#) [243A10030X](#) [76000671](#) [163A50029X](#) [16-501373](#) [FCC17-A15AD-280](#) [FCC17-E09AD-210](#) [FCE17-A15AD-250](#) [FCE17-B25AD-210](#) [FCE17-B25AD-250](#) [FCE17B25AD290](#) [FCE17-E09AD-210](#) [FCE5709500430](#) [2310387](#) [GCHDLP44M44M](#) [GCLP25M25F](#) [FCC17A15AD2E0](#) [FCC17C37AD280](#) [FCC17-E09AD-280](#) [FCC17E09AD293](#)