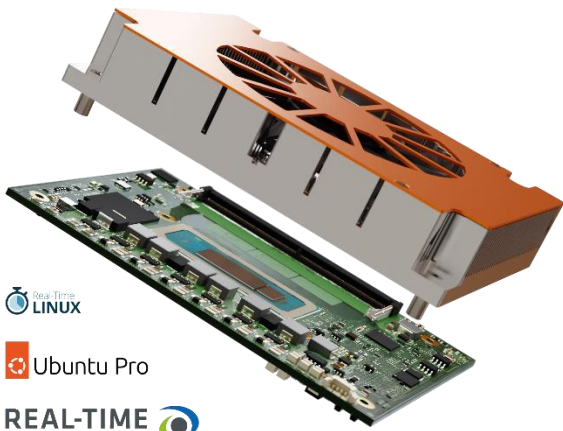


High-Performance aReady.COM Standard Module

conga-aCOM/cRLP



aReady.COM

- Based on conga-HPC/cRLP-i5-1340PE
- High-Performance configuration with 2 pre-configured virtual machines
- Real-Time Linux OS on 2 Cores
- Ubuntu Pro running on 10 Cores
- Incl. active cooling solution with heatpipes

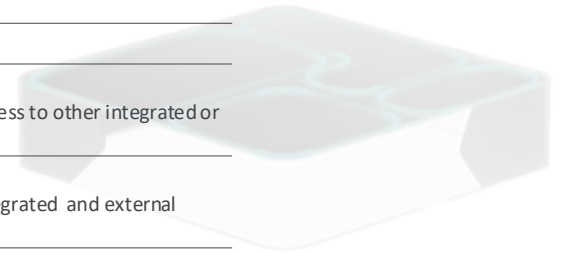
Operating Systems

Real-Time Linux	RTS Real-Time Linux reference installation with Kernel 6.1 (Realtime-Preempt, longterm)
Ubuntu Desktop	Ubuntu 22.04 LTS, "Ubuntu Pro" subscription including 10 years security coverage



Virtualization

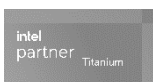
Hypervisor	RTS Real-Time Hypervisor, pre-configured
Partitioning	2x virtual machines (VM), 1x Real-Time, 1x General Purpose
Real-Time VM	Running on 2 P-Cores with fixed frequency Physical device access: NVMe SSD partition, 1x UART, 1x ethernet. Access to other integrated or external devices configurable
General-Purpose VM	Running on 2 P-Cores and 8 E-Cores Physical device access: NVMe SSD partition, 1x UART, 1x ethernet, integrated and external devices



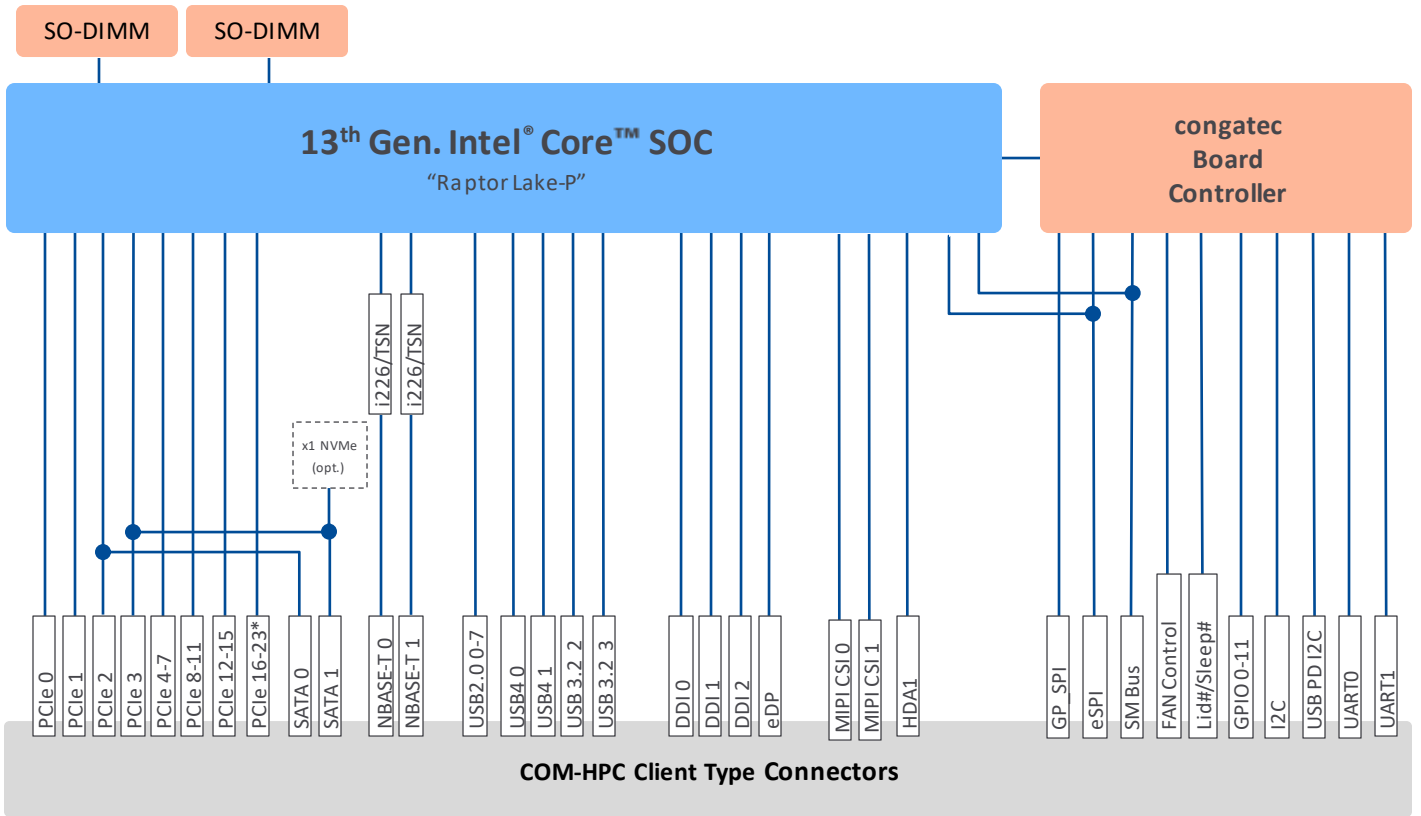
Hardware

Form factor	COM-HPC Client 120 mm x 95 mm
Processor	Intel® Core™ i5-1340PE Processor with 4 P-Cores
Graphics	Intel® Iris® Xe Graphics architecture Supports up to 4 independent displays
Memory	16 GB DDR5 4800 MT/s DRAM
Mass Storage	128 GB NVMe SSD connected via PCIe (soldered)
Temperature Humidity	0 °C to 60 °C 10% to 90% r. H. non cond.
Interfaces	8 x PCIe Gen5; 2 x4 PCIe Gen4; up to 8 PCIe Gen3 2x USB4; 2 x USB 3.2 Gen2x1; 8 x USB 2.0 up to 2x SATA 2 x UART 2 x MIPI-CSI

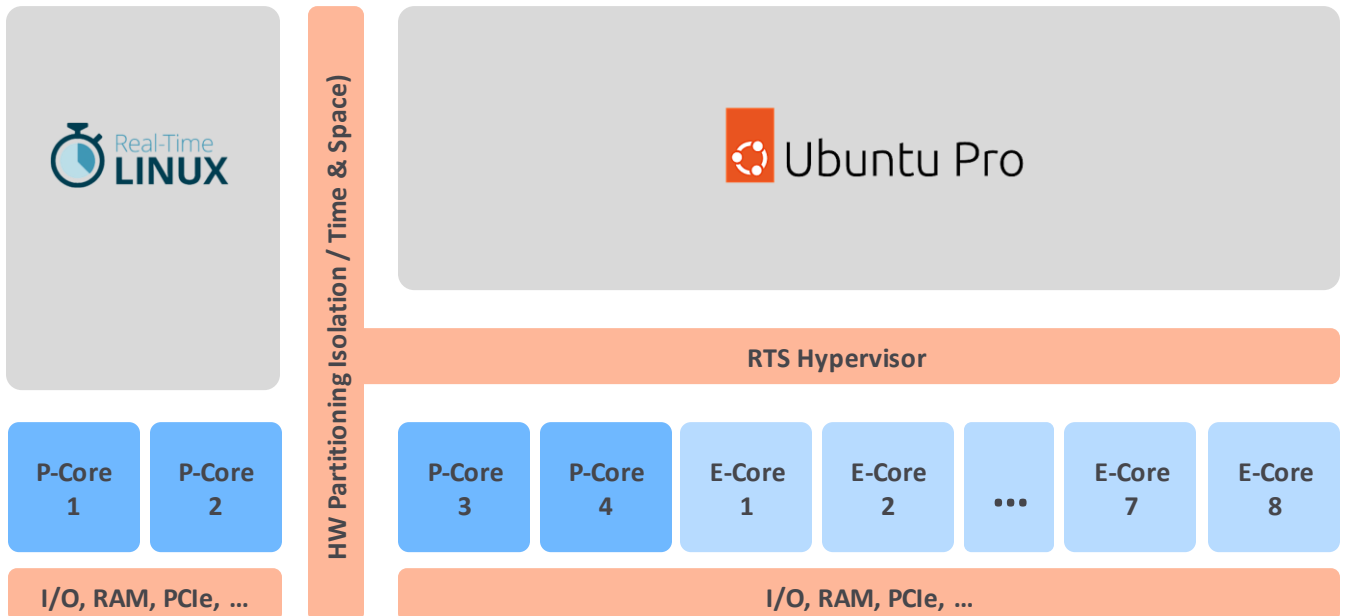
* For all interfaces please see Datasheet conga-HPC/cRLP



conga-aCOM/cRLP | Block Diagram



conga-aCOM/cRLP | System Consolidation



conga-aCOM/cRLP | Modules Order Information

Article	PN	Description
conga-aCOM/cRLP	320000	a Ready.COM including COM-HPC Size A module based on Intel® Core™ i5-1340PE processor with 4 P-cores 1.8GHz up to 4.5GHz Turbo and 8 E-cores 1.3GHz up to 3.3GHz Turbo 16GB Dual channel DDR5 4800 MT/s 128 GB NVMe SSD Active cooling solution (bore hole) Pre-installed Software: RTS Hypervisor (including evaluation license) Real-Time Linux Ubuntu Pro Desktop
conga-HPC/EVAL-Client	065600	Evaluation Carrier Board for COM-HPC Client type Modules.

X-ON Electronics

Largest Supplier of Electrical and Electronic Components

Click to view similar products for [Development Boards & Kits - x86 category](#):

Click to view products by [Congatec manufacturer](#):

Other Similar products are found below :

[110060064](#) [110060382](#) [110060577](#) [34101-0000-00-2](#) [68300-0000-00-0](#) [AKX00002](#) [AKX00002SL](#) [CEB94018](#) [conga-HPC/EVAL-Client](#)
[conga-MEVAL](#) [conga-QEVAL/Qseven 2.0](#) [conga-SEVAL](#) [DEV-13033](#) [DFR0453](#) [EDI1BB.AL.K](#) [GT.PDKW](#) [IOTGTWY.DK300](#) [iQ7-DB-](#)
[MATX-R10](#) [MIKROE-2546](#) [MIKROE-2582](#) [SOM-DB2500-00A1](#) [SOM-DB5830-00A1](#) [SOM-DB5830-00A2](#) [SOM-DB5830A-00A2](#) [SOM-](#)
[DB5920-01A1](#) [Starterkit-CFE-E-2176M-3DIMM/M48G](#) [Starterkit-cKL-i7-7600U-M16G](#) [Starterkit-COM Express 6](#) [Starterkit-COM Express 6](#)
[PLUS](#)