

REV.	DESCRIPTION	DRAWN	CHECKED	APPROVED
A	NEW RELEASE	LJH 09/29/05'	~	LJH 09/29/05'
B	ADD P/N CODE	YCH 12/02/13'	~	

NOTES:

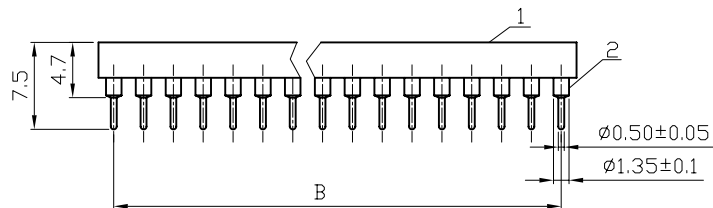
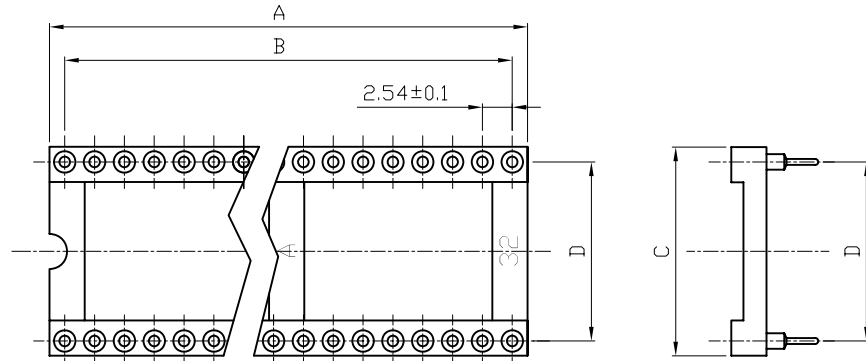
1. SPECIFICATIONS:

- 1.1 CONTACT RESISTANCE: 20mΩ Max.
- 1.2 DIELECTRIC WITHSTANDING VOLTAGE: 500V AC FOR 1 MINUTE.
- 1.3 INSULATION RESISTANCE: 1000MΩ Min.
- 1.4 OPERATING TEMPERATURE: -40°C~+105°C.
- 1.5 MALE PIN RANGE: $\phi 0.381\sim 0.635$.
- 1.6 CURRENT RATING: 3A Per Pin Max.

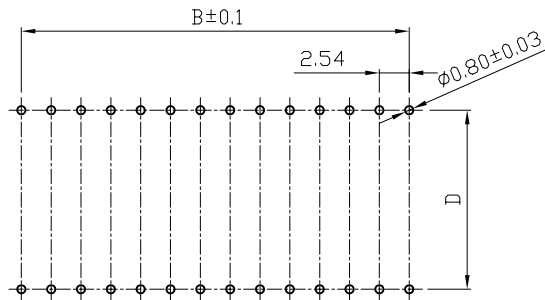
2. PRODUCT NUMBER CODE:

DS1001-01 - X X X X X X X - XX X

- PACKING TYPE ⊕
A: TUBE + PLASTIC NAIL
B: TUBE + RUBBER
- CLIP TYPE
JK: IMPORT
GC: DOMESTIC
- CENTRAL SUPPORT
S: W/ CENTRAL SUPPORT
X: W/o CENTRAL SUPPORT
- CLIP PLATING
F6: Full 3u" gold
T1: Full Tin
7: Full 30u" gold
- HOUSING MATERIAL
S: PBT
- WIDTH
N: 7.62mm(06-24P)
W: 15.24mm(24-40P)
- PIN PLATING
T1: Full Tin
8: Full GOLD FLASH
- CLIP TYPE
B: 4 FINGERS
- No.OF CONTACTS
06 08 12 14 16 18
20 24 28 32 40



Positions	Dimension			
	A±0.5	B±0.3	C	D±0.2
06	7.62	5.08	10.16	7.62
08	10.16	7.62	10.16	7.62
14	17.78	15.24	10.16	7.62
16	20.32	17.78	10.16	7.62
18	22.86	20.32	10.16	7.62
20	25.40	22.86	10.16	7.62
24	30.48	27.94	10.16	7.62
28	35.56	33.02	10.16	7.62
24	30.48	27.94	17.78	15.24
28	35.56	33.02	17.78	15.24
32	40.64	38.10	17.78	15.24
40	50.80	48.26	17.78	15.24



RECOMMENDED PCB LAYOUT(TOLERANCE=±0.05)

GENERAL TOLERANCE		ANGLE TOLERANCE	
X.	±0.60	X.	±5°
.X	±0.38	.X	±3°
.XX	±0.25	.XX	±2°

PROJECTION		TITLE	2.54mm IC SOCKET(Machine Pin)
UNITS	mm		Vertical Through Type
SHEET SIZE	A4	SERIES	DS1001-01 SERIES

2	CONTACT		COPPER ALLOY	GOLD OR TIN PLATED	DRAWING TYPE	CUSTOMER		
1	HOUSING		THERMOPLASTIC	UL 94 V-0	SCALE	1:1	SHEET	1 OF 1
ITEM	PART NAME	PART NO.	MATERILAS	FINISHED	DRAWING NO.	C-DS1001-01-XXXXXX-XXX-B		

晨翔电子有限公司
CONNFLY® CONNFLY ELECTRONIC CO., LTD

X-ON Electronics

Largest Supplier of Electrical and Electronic Components

Click to view similar products for [Connfly](#) manufacturer:

Other Similar products are found below :

[DS1001-01-06BT1NSF6X](#) [DS1001-01-06BT1NSF6X-JKB](#) [DS1001-01-06BT1NST1X-JKB](#) [DS1001-01-08BT1NSF6S](#)
[DS1001-01-08BT1NSF6X-JKB](#) [DS1001-01-14BT1NSF6X](#) [DS1001-01-14BT1NSF6X-JKB](#) [DS1001-01-16BT1NSF6S](#)
[DS1001-01-16BT1NSF6X-JKB](#) [DS1001-01-18BT1NSF6S](#) [DS1001-01-20BT1NSF6S](#) [DS1001-01-20BT1NSF6S-JKB](#)
[DS1001-01-24BT1NSF6S](#) [DS1001-01-24BT1WSF6S](#) [DS1001-01-28BT1NSF6S](#) [DS1001-01-28BT1NSF6S-JKB](#) [DS1001-01-28BT1WSF6S](#)
[DS1001-01-28BT1WSF6S-JKB](#) [DS1001-01-32BT1WSF6S](#) [DS1001-01-32BT1WSF6S-JKB](#) [DS1001-01-40BT1WSF6S](#)
[DS1001-01-40BT1WSF6S-JKB](#) [DS1001-02-08N13](#) [DS1001-02-14N13](#) [DS1001-02-16N13](#) [DS1001-02-28W13](#) [DS1001-02-32W13](#)
[DS1001-02-40W13](#) [DS1002-01-1*10R13](#) [DS1002-01-1*10V13](#) [DS1002-01-1*13V13](#) [DS1002-01-1*14V13](#) [DS1002-01-1*16R13](#) [DS1002-](#)
[01-1*16S13](#) [DS1002-01-1*1R13](#) [DS1002-01-1*1V13](#) [DS1002-01-1*20V13](#) [DS1002-01-1*2R13](#) [DS1002-01-1*2V13](#) [DS1002-01-1*32V13](#)
[DS1002-01-1*36V13](#) [DS1002-01-1*3V13](#) [DS1002-01-1*4R13](#) [DS1002-01-1*4S13](#) [DS1002-01-1*4V13](#) [DS1002-01-1*50V13](#) [DS1002-01-](#)
[1*5S13](#) [DS1002-01-1*5V13](#) [DS1002-01-1*60V13](#) [DS1002-01-1*64R13](#)