

| REV. | DESCRIPTION | DRAWN | CHECKED | APPROVED |
|------|--------------|---------------|---------|---------------|
| A | NEW RELEASE | LJH 09/29/05' | ~ | LJH 09/29/05' |
| B | ADD P/N CODE | YCH 12/02/13' | ~ | |
| | | | | |

NOTES:

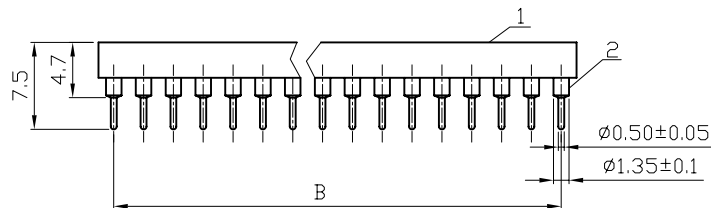
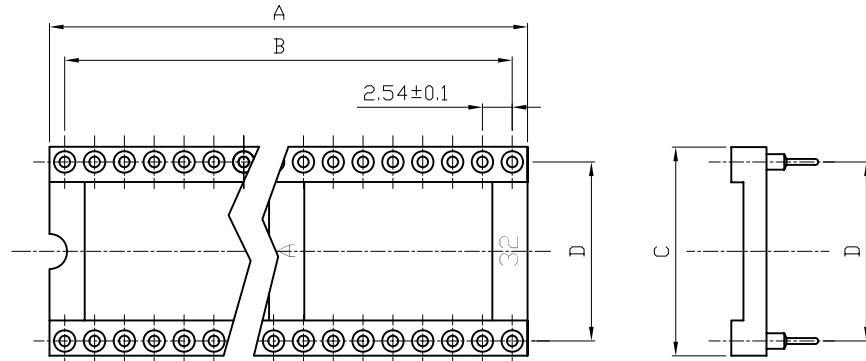
1. SPECIFICATIONS:

- 1.1 CONTACT RESISTANCE: 20mΩ Max.
- 1.2 DIELECTRIC WITHSTANDING VOLTAGE: 500V AC FOR 1 MINUTE.
- 1.3 INSULATION RESISTANCE: 1000MΩ Min.
- 1.4 OPERATING TEMPERATURE: -40°C~+105°C.
- 1.5 MALE PIN RANGE: $\phi 0.381\sim 0.635$.
- 1.6 CURRENT RATING: 3A Per Pin Max.

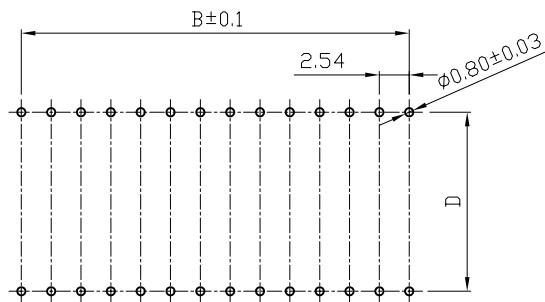
2. PRODUCT NUMBER CODE:

DS1001-01 - X X X X X X X - XX X

- PACKING TYPE ⊕
A: TUBE + PLASTIC NAIL
B: TUBE + RUBBER
- CLIP TYPE
JK: IMPORT
GC: DOMESTIC
- CENTRAL SUPPORT
S: W/ CENTRAL SUPPORT
X: W/o CENTRAL SUPPORT
- CLIP PLATING
F6: Full 3u" gold
T1: Full Tin
7: Full 30u" gold
- HOUSING MATERIAL
S: PBT
- WIDTH
N: 7.62mm(06-24P)
W: 15.24mm(24-40P)
- PIN PLATING
T1: Full Tin
8: Full GOLD FLASH
- CLIP TYPE
B: 4 FINGERS
- No.OF CONTACTS
06 08 12 14 16 18
20 24 28 32 40



| Positions | Dimension | | | |
|-----------|-----------|-------|-------|-------|
| | A±0.5 | B±0.3 | C | D±0.2 |
| 06 | 7.62 | 5.08 | 10.16 | 7.62 |
| 08 | 10.16 | 7.62 | 10.16 | 7.62 |
| 14 | 17.78 | 15.24 | 10.16 | 7.62 |
| 16 | 20.32 | 17.78 | 10.16 | 7.62 |
| 18 | 22.86 | 20.32 | 10.16 | 7.62 |
| 20 | 25.40 | 22.86 | 10.16 | 7.62 |
| 24 | 30.48 | 27.94 | 10.16 | 7.62 |
| 28 | 35.56 | 33.02 | 10.16 | 7.62 |
| 24 | 30.48 | 27.94 | 17.78 | 15.24 |
| 28 | 35.56 | 33.02 | 17.78 | 15.24 |
| 32 | 40.64 | 38.10 | 17.78 | 15.24 |
| 40 | 50.80 | 48.26 | 17.78 | 15.24 |



RECOMMENDED PCB LAYOUT(TOLERANCE=±0.05)

| GENERAL TOLERANCE | | ANGLE TOLERANCE | |
|-------------------|-------|-----------------|-----|
| X. | ±0.60 | X. | ±5° |
| .X | ±0.38 | .X | ±3° |
| .XX | ±0.25 | .XX | ±2° |

| | | | |
|------------|----|--------|-------------------------------|
| PROJECTION | | TITLE | 2.54mm IC SOCKET(Machine Pin) |
| UNITS | mm | | Vertical Through Type |
| SHEET SIZE | A4 | SERIES | DS1001-01 SERIES |

| | | | | | | | | |
|------|-----------|----------|---------------|--------------------|--------------|--------------------------|-------|--------|
| 2 | CONTACT | | COPPER ALLOY | GOLD OR TIN PLATED | DRAWING TYPE | CUSTOMER | | |
| 1 | HOUSING | | THERMOPLASTIC | UL 94 V-0 | SCALE | 1:1 | SHEET | 1 OF 1 |
| ITEM | PART NAME | PART NO. | MATERILAS | FINISHED | DRAWING NO. | C-DS1001-01-XXXXXX-XXX-B | | |

晨翔电子有限公司
CONNFLY® CONNFLY ELECTRONIC CO., LTD

X-ON Electronics

Largest Supplier of Electrical and Electronic Components

Click to view similar products for [Connfly](#) manufacturer:

Other Similar products are found below :

[DS1015-06-04R6SR](#) [DS1016-30MASIBB](#) [DS1031-03-1*3P8BS-3-1-1](#) [DS1137-01-02FW88R](#) [DS1018-162BX](#) [DS1057-60A282R-76.5](#)
[DS1002-03-1x4131](#) [DS1025-02-1x8P8BR1-B](#) [DS1016-10MANBG](#) [DS1024-2x4R2](#) [DS1023-1x14SF11](#) [DS1023-1x6SF11](#) [DS1002-03-2x8131](#) [DS1168-01-120FSEYX](#) [DS1033-01-MBN81](#) [DS1058-60M28-30.5](#) [DS1065-08-2*5S8BV](#) [DS1020-18RT1D](#) [DS1093-01-PN60](#)
[DS1035-15MUNSiSS](#) [DS1011-20RBSiB7-B](#) [DS1021-1x20SF11-B](#) [DS1021-1x14SF11-B](#) [DS1040-05RN](#) [DS1020-30-04VB6XR](#) [DS1009-24AT1NS-0A2](#) [DS1009-32AT1WX-0A2](#) [DS1016-16MANBB](#) [DS1168-01-120FRBYX](#) [DS1015-34NN0A](#) [DS1128-S80BP](#) [DS1133-S60APX](#)
[DS1057-01-64A282R-30.5](#) [DS1110-27-9BU8](#) [DS1021-2x23SF11-B](#) [DS1040-09RN](#) [DS1040-12RN](#) [DS1021-2x9SF11-B](#) [DS1045-09AP1S1-A](#)
[DS1133-09-S2B8PS](#) [DS1020-12-16VBT1AXR](#) [DS1015-10MN2A](#) [DS1015-10NN2A](#) [DS1016-14MA2BB](#) [DS1042-25YYRX25010](#) [DS1042-24YYRX25010](#) [DS1018-142BX](#) [DS1011-10SBSiB7-B](#) [DS1024-1x40R2](#) [DS1021-2x16SF11-B](#)