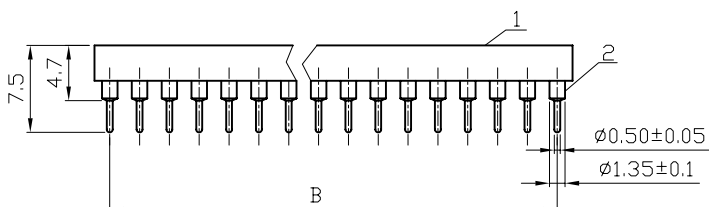
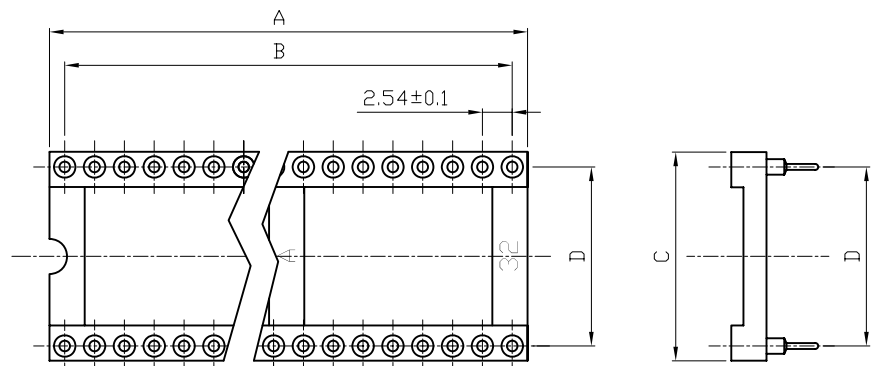


| REV. | DESCRIPTION  | DRAWN         | CHECKED | APPROVED      |
|------|--------------|---------------|---------|---------------|
| A    | NEW RELEASE  | LJH 09/29/05' | ~       | LJH 09/29/05' |
| B    | ADD P/N CODE | YCH 12/02/13' | ~       |               |
|      |              |               |         |               |

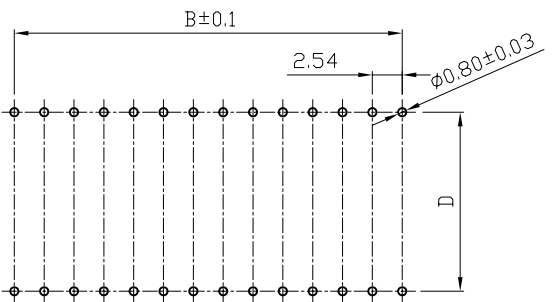
- NOTES:
- SPECIFICATIONS:
    - CONTACT RESISTANCE: 20mΩ Max.
    - DIELECTRIC WITHSTANDING VOLTAGE: 500V AC FOR 1 MINUTE.
    - INSULATION RESISTANCE: 1000MΩ Min.
    - OPERATING TEMPERATURE: -40°C~+105°C.
    - MALE PIN RANGE:  $\phi 0.381\sim 0.635$ .
    - CURRENT RATING: 3A Per Pin Max.
  - PRODUCT NUMBER CODE:

DS1001-01 - X X X X X X X - XX X

- PACKING TYPE ①
  - A: TUBE + PLASTIC NAIL
  - B: TUBE + RUBBER
- CLIP TYPE
  - JK: IMPORT
  - GC: DOMESTIC
- CENTRAL SUPPORT
  - S: W/ CENTRAL SUPPORT
  - X: W/o CENTRAL SUPPORT
- CLIP PLATING
  - F6: Full 3u" gold
  - T1: Full Tin
  - 7: Full 30u" gold
- HOUSING MATERIAL
  - S: PBT
- WIDTH
  - N: 7.62mm(06-24P)
  - W: 15.24mm(24-40P)
- PIN PLATING
  - T1: Full Tin
  - 8: Full GOLD FLASH
- CLIP TYPE
  - B: 4 FINGERS
- No.OF CONTACTS
  - 06 08 12 14 16 18
  - 20 24 28 32 40



| Positions | Dimension |       |       |       |
|-----------|-----------|-------|-------|-------|
|           | A±0.5     | B±0.3 | C     | D±0.2 |
| 06        | 7.62      | 5.08  | 10.16 | 7.62  |
| 08        | 10.16     | 7.62  | 10.16 | 7.62  |
| 14        | 17.78     | 15.24 | 10.16 | 7.62  |
| 16        | 20.32     | 17.78 | 10.16 | 7.62  |
| 18        | 22.86     | 20.32 | 10.16 | 7.62  |
| 20        | 25.40     | 22.86 | 10.16 | 7.62  |
| 24        | 30.48     | 27.94 | 10.16 | 7.62  |
| 28        | 35.56     | 33.02 | 10.16 | 7.62  |
| 24        | 30.48     | 27.94 | 17.78 | 15.24 |
| 28        | 35.56     | 33.02 | 17.78 | 15.24 |
| 32        | 40.64     | 38.10 | 17.78 | 15.24 |
| 40        | 50.80     | 48.26 | 17.78 | 15.24 |



RECOMMENDED PCB LAYOUT(TOLERANCE=±0.05)

| GENERAL TOLERANCE |       | ANGLE TOLERANCE |     |
|-------------------|-------|-----------------|-----|
| X.                | ±0.60 | X.              | ±5° |
| .X                | ±0.38 | .X              | ±3° |
| .XX               | ±0.25 | .XX             | ±2° |

|            |    |        |                               |
|------------|----|--------|-------------------------------|
| PROJECTION |    | TITLE  | 2.54mm IC SOCKET(Machine Pin) |
| UNITS      | mm |        | Vertical Through Type         |
| SHEET SIZE | A4 | SERIES | DS1001-01 SERIES              |

|      |           |          |               |                    |              |                          |       |        |
|------|-----------|----------|---------------|--------------------|--------------|--------------------------|-------|--------|
| 2    | CONTACT   |          | COPPER ALLOY  | GOLD OR TIN PLATED | DRAWING TYPE | CUSTOMER                 |       |        |
| 1    | HOUSING   |          | THERMOPLASTIC | UL 94 V-0          | SCALE        | 1:1                      | SHEET | 1 OF 1 |
| ITEM | PART NAME | PART NO. | MATERILAS     | FINISHED           | DRAWING NO.  | C-DS1001-01-XXXXXX-XXX-B |       |        |

晨翔电子有限公司  
**CONNFLY® CONNFLY ELECTRONIC CO., LTD**

## X-ON Electronics

Largest Supplier of Electrical and Electronic Components

*Click to view similar products for [IC & Component Sockets](#) category:*

*Click to view products by [Connfly](#) manufacturer:*

Other Similar products are found below :

[614-DG5](#) [670](#) [672](#) [673](#) [712-93-120-41-001000](#) [714-93-104-31-018000](#) [8-1437531-4](#) [8150-6P10](#) [835-43-014-10-001000](#) [851-41-006-10-001000](#) [851-43-008-20-001000](#) [851-43-014-20-001000](#) [851-93-006-20-001000](#) [851-93-010-20-001000](#) [853-43-020-10-001000](#) [86.010.0053.0](#) [116-43-308-41-007000](#) [121-13-318-41-001000](#) [121-13-320-41-001000](#) [121-13-308-41-001000](#) [123-43-314-41-801000](#) [123-43-420-41-001000](#) [122-13-316-41-001000](#) [123-13-624-41-001000](#) [123-43-306-41-001000](#) [12-3513-11](#) [123-91-320-41-001000](#) [126-43-310-41-002000](#) [AKSUN](#) [37V-T](#) [1437503-9](#) [1437504-1](#) [APA-640-G-P](#) [146-44-308-41-013000](#) [146-43-308-41-012000](#) [160-10-308-00-001000](#) [160-40-320-00-001000](#) [214-99-306-01-670800](#) [2-382761-4](#) [2-5331677-4](#) [2-640360-3](#) [2801-3-00-44-00-00-07-0](#) [940-44-052-17-400004](#) [299-83-314-11-001101](#) [1986000-2](#) [2103331641101000](#) [210-43-320-41-001000](#) [210-99-628-41-001000](#) [2-1437504-6](#) [2-1437515-5](#) [2-1437531-2](#)