

REV.	DESCRIPTION	DRAWN	CHECKED	APPROVED
A	NEW RELEASE	LJH 09/29/05'	~	LJH 09/29/05'
B	ADD P/N CODE	YCH 12/02/13'	~	

NOTES:

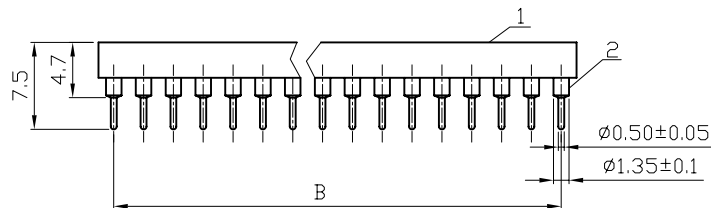
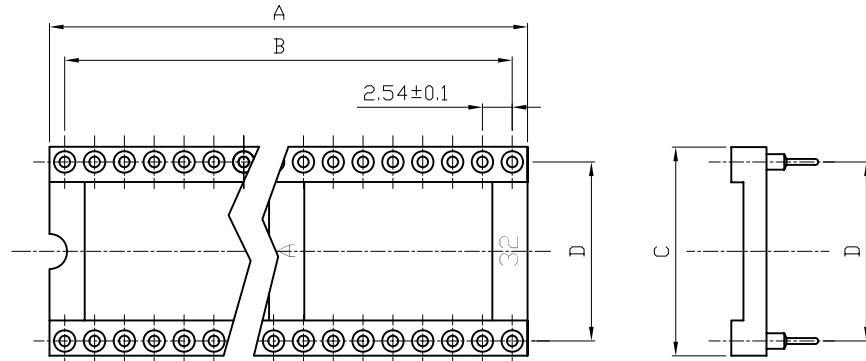
1. SPECIFICATIONS:

- 1.1 CONTACT RESISTANCE: 20mΩ Max.
- 1.2 DIELECTRIC WITHSTANDING VOLTAGE: 500V AC FOR 1 MINUTE.
- 1.3 INSULATION RESISTANCE: 1000MΩ Min.
- 1.4 OPERATING TEMPERATURE: -40°C~+105°C.
- 1.5 MALE PIN RANGE:  $\phi 0.381\sim 0.635$ .
- 1.6 CURRENT RATING: 3A Per Pin Max.

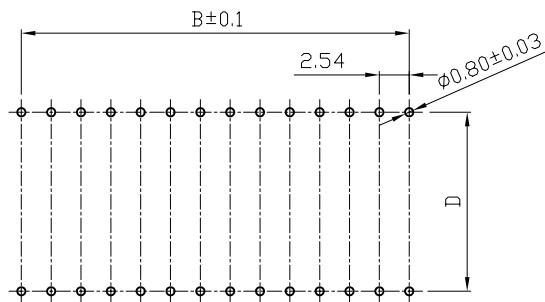
2. PRODUCT NUMBER CODE:

DS1001-01 - X X X X X X X - XX X

- PACKING TYPE ①
- A: TUBE + PLASTIC NAIL
- B: TUBE + RUBBER
- CLIP TYPE
- JK: IMPORT
- GC: DOMESTIC
- CENTRAL SUPPORT
- S: W/ CENTRAL SUPPORT
- X: W/o CENTRAL SUPPORT
- CLIP PLATING
- F6: Full 3u" gold
- T1: Full Tin
- 7: Full 30u" gold
- HOUSING MATERIAL
- S: PBT
- WIDTH
- N: 7.62mm(06-24P)
- W: 15.24mm(24-40P)
- PIN PLATING
- T1: Full Tin
- 8: Full GOLD FLASH
- CLIP TYPE
- B: 4 FINGERS
- No.OF CONTACTS
- 06 08 12 14 16 18
- 20 24 28 32 40



Positions	Dimension			
	A±0.5	B±0.3	C	D±0.2
06	7.62	5.08	10.16	7.62
08	10.16	7.62	10.16	7.62
14	17.78	15.24	10.16	7.62
16	20.32	17.78	10.16	7.62
18	22.86	20.32	10.16	7.62
20	25.40	22.86	10.16	7.62
24	30.48	27.94	10.16	7.62
28	35.56	33.02	10.16	7.62
24	30.48	27.94	17.78	15.24
28	35.56	33.02	17.78	15.24
32	40.64	38.10	17.78	15.24
40	50.80	48.26	17.78	15.24



RECOMMENDED PCB LAYOUT(TOLERANCE=±0.05)

GENERAL TOLERANCE		ANGLE TOLERANCE	
X.	±0.60	X.	±5°
.X	±0.38	.X	±3°
.XX	±0.25	.XX	±2°

PROJECTION		TITLE	2.54mm IC SOCKET(Machine Pin)
UNITS	mm		Vertical Through Type
SHEET SIZE	A4	SERIES	DS1001-01 SERIES

2	CONTACT		COPPER ALLOY	GOLD OR TIN PLATED	DRAWING TYPE	CUSTOMER		
1	HOUSING		THERMOPLASTIC	UL 94 V-0	SCALE	1:1	SHEET	1 OF 1
ITEM	PART NAME	PART NO.	MATERILAS	FINISHED	DRAWING NO.	C-DS1001-01-XXXXXX-XXX-B		

晨翔电子有限公司  
CONNFLY® CONNFLY ELECTRONIC CO., LTD

## X-ON Electronics

Largest Supplier of Electrical and Electronic Components

*Click to view similar products for [IC & Component Sockets](#) category:*

*Click to view products by [Connfly](#) manufacturer:*

Other Similar products are found below :

[614-DG5](#) [673](#) [712-93-120-41-001000](#) [714-93-104-31-018000](#) [8-1437531-4](#) [8150-6P10](#) [835-43-014-10-001000](#) [851-41-006-10-001000](#)  
[851-43-008-20-001000](#) [851-43-014-20-001000](#) [851-93-006-20-001000](#) [851-93-010-20-001000](#) [853-43-020-10-001000](#) [86.010.0053.0](#)  
[116-43-308-41-007000](#) [121-13-318-41-001000](#) [121-13-308-41-001000](#) [123-43-314-41-801000](#) [122-13-316-41-001000](#) [123-13-624-41-001000](#)  
[123-43-306-41-001000](#) [12-3513-11](#) [126-43-310-41-002000](#) [1437503-9](#) [APA-640-G-P](#) [146-44-308-41-013000](#) [146-43-308-41-012000](#)  
[160-10-308-00-001000](#) [160-40-320-00-001000](#) [2-382761-4](#) [2-640360-3](#) [2801-3-00-44-00-00-07-0](#) [299-83-314-11-001101](#) [1986000-2](#)  
[2103331641101000](#) [210-43-320-41-001000](#) [210-99-628-41-001000](#) [2-1437504-6](#) [2-1437515-5](#) [2-1437531-2](#) [214-AG19D](#) [232-1270-51-0602](#)  
[2-822114-3](#) [3104112041001000](#) [310-91-132-41-001](#) [311-13-103-41-001000](#) [3-1437506-7](#) [3-1437508-1](#) [315-13-132-41-003000](#) [316-43-103-41-006000](#)