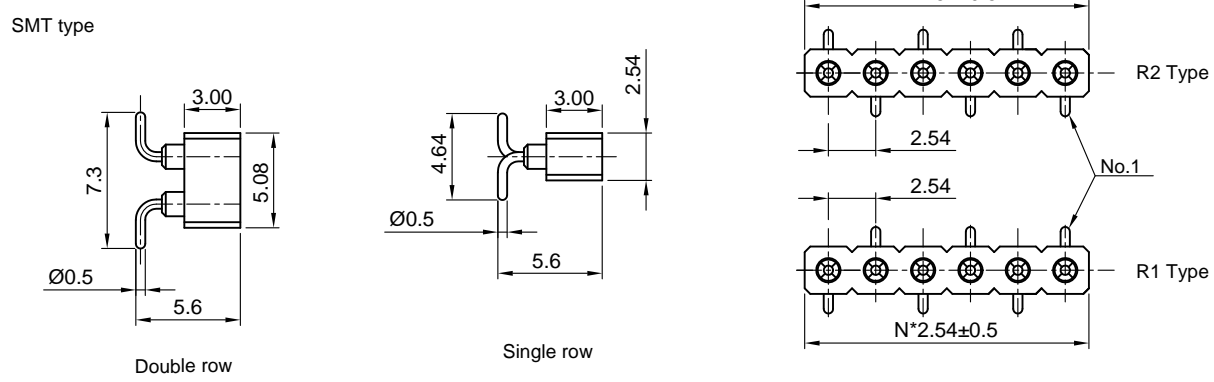
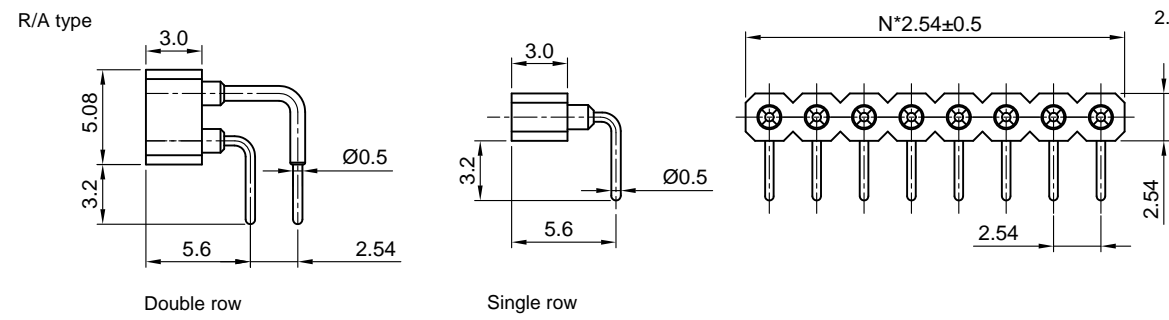
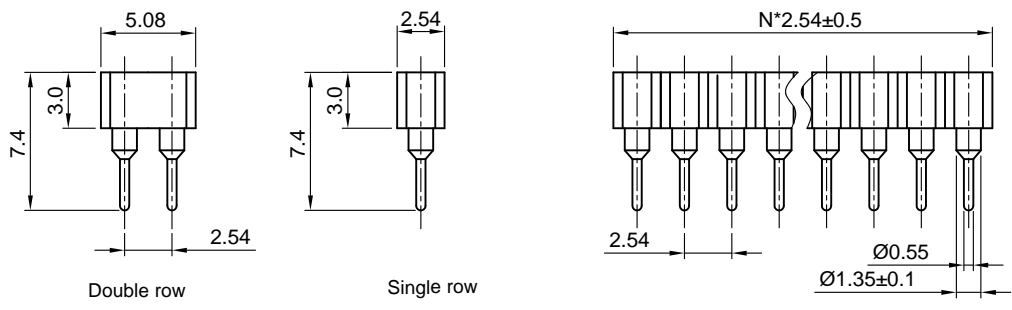


Dept	
Qty	
DC	1
ED	1
IE	1
ISO	1
PD	1
R&D	1
SD	1
QA	1
QC	1
QE	1

The information provided herein is from CONNELY Electronic Co., Ltd. and is confidential. Any disclosure to a party other than the recipient is prohibited. The intellectual properties and its rights contained herein, including but not limited to, trademarks, patents, copyrights, trade secrets, and technical know-how, are owned exclusively by CONNELY or its affiliates. Unauthorized use or reproduction of any part of this document is strictly prohibited. CONNELY may enforce its intellectual property rights at its own discretion, failures or delays in exercising such rights does not constitute a waiver of such rights.

V/T type N=No. of contacts(Single row) N=No. of contacts/2(Double row)



(Series Image-Reference Only)

REV.	DESCRIPTION	DRAWN	CHECKED	APPROVED
A	NEW RELEASE	LL 07/02/06'	~	LJC 07/02/06'
B	ADD P/N CODE	LJC 12/12/13'	~	LJC 12/12/13'
C	ADD BEND TYPE	JLZ 12/30/14'	HZW 12/30/14'	LJC 12/30/14'
E	DRAWING UPDATE	JLZ 07/21/18'	~	

NOTES:

1. SPECIFICATIONS:

- 1.1 CONTACT RESISTANCE: 20mΩ Max.
- 1.2 DIELECTRIC WITHSTANDING VOLTAGE: 500V AC FOR 1 MINUTE.
- 1.3 INSULATION RESISTANCE: 1000MΩ Min.
- 1.4 OPERATING TEMPERATURE: -40°C~+105°C.
- 1.5 MALE PIN RANGE: Ø0.381~0.635.
- 1.6 CURRENT RATING: 3A Per Pin Max.

2. PRODUCT NUMBER CODE:

DS1002-01 - X X X X X - X

- Clip type
- JK: Import
- GC: Domestic
- Bend type(Single row only)
- A: R1 type
- B: R2 type
- Clip plating
- 1: Tin 150u" 2: Tin 200u"
- 3: G/F 4: Gold 3u"
- 5: Gold 10u" 6: Gold 15u"
- Pin plating
- 1: Tin 150u" 2: Tin 200u"
- 3: G/F 4: Gold 3u"
- 5: Gold 10u" 6: Gold 15u"
- Mounting type
- V: V/T type
- R: R/A type
- S: SMT type
- No. of contacts
- 1x1 - 1x64
- 2x2 - 2x40

GENERAL TOLERANCE		ANGLE TOLERANCE	
X.	±0.60	X.	±5°
.X	±0.38	.X	±3°
.XX	±0.25	.XX	±2°
DRAWING TYPE		CUSTOMER	
SCALE	1:1	SHEET	1 OF 1
DRAWING NO.	C-DS1002-01-XXXXX-E		

PROJECTION		TITLE	2.54mm IC SOCKET(Machine Pin) R/A, V/T & SMT Type
UNITS	mm	SERIES	DS1002-01 SERIES

晨翔电子有限公司
CONNFLY CONNELY ELECTRONIC CO. LTD

X-ON Electronics

Largest Supplier of Electrical and Electronic Components

Click to view similar products for [Headers & Wire Housings](#) category:

Click to view products by [Connfly](#) manufacturer:

Other Similar products are found below :

[0015917161](#) [0022155065](#) [57102-F02-18ULF](#) [58102-G61-06LF](#) [582553-1](#) [01.001.5753.1](#) [0050291907](#) [02.125.8002.8](#) [609-3404](#) [61062-3](#)
[CSU011177004](#) [622-0430](#) [622-3653LF](#) [63453-116](#) [636-1030](#) [636-1427](#) [636-3427](#) [636-4007](#) [641938-9](#) [65495-038](#) [65692-001LF](#) [65781-018](#)
[65781-047](#) [65817-010LF](#) [65817-015LF](#) [67095-007LF](#) [67601157](#) [68631-112](#) [68645-018](#) [699319-000](#) [70.362.1628.0](#) [70-4210](#) [70-4226B](#) [70-](#)
[4853B](#) [71.350.2428.0](#) [733-134](#) [733-162](#) [760-3052](#) [MHR-64-VUAL](#) [80.063.4001.1](#) [800-90-001-10-001000](#) [801-43-002-10-013000](#)
[801-43-006-10-002000](#) [803-43-024-10-001000](#) [803-93-012-10-001000](#) [8-1437020-4](#) [819-22-004-30-001101](#) [820-22-006-30-001101](#)
[820-22-008-30-001101](#) [821-22-002-10-001101](#)