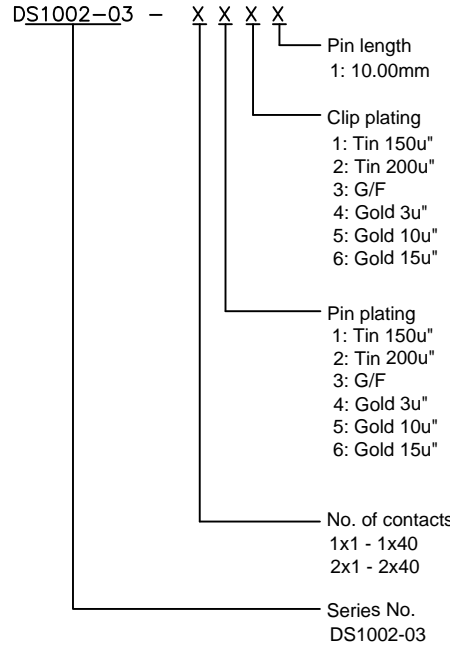


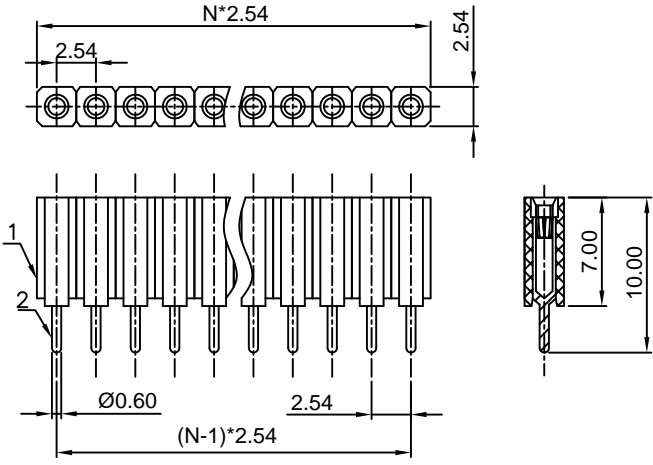
The information provided herein is from CONNELY Electronic Co., Ltd. and is confidential. Any disclosure to a party other than the recipient is prohibited. The intellectual properties and its rights contained herein, including but not limited to, trademarks, patents, copyrights, trade secrets, and technical know-how, are owned exclusively by CONNELY or its affiliates. Unauthorized use or reproduction of any part of this document is strictly prohibited. CONNELY may enforce its intellectual property rights at its own discretion, failures or delays to exercise such rights does not constitute a waiver of such rights.

REV.	DESCRIPTION	DRAWN	CHECKED	APPROVED
A	NEW RELEASE	LJH 07/11/05'		LJC 07/11/05'
B	DRAWING UPDATE	JLZ 07/21/18'		

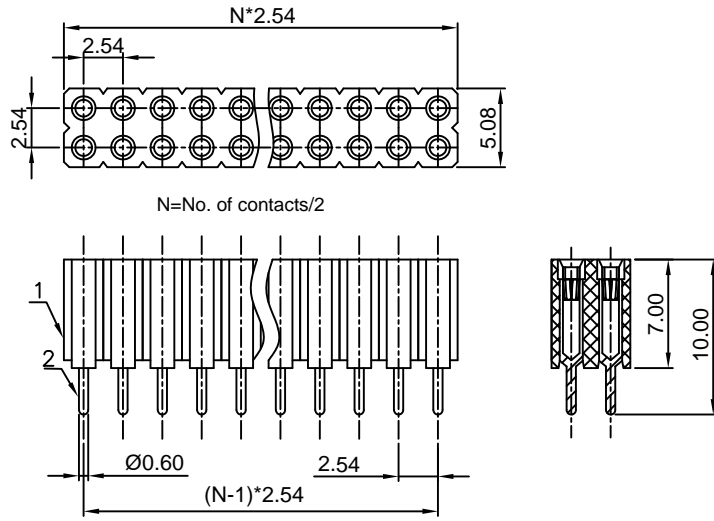
- NOTES:
- Electrical characteristics:
    - Contact resistance: 20mΩ Max. INITIAL.
    - Dielectric withstanding voltage: 500V AC(rms) for 1 minute.
    - Insulation resistance: 1000MΩ Min.
  - Environment characteristics:
    - Temperature: -40°C~+105°C.
  - Part number: DS1002-03
  - Product number code:



Single row N=No. of contacts



Double row N=No. of contacts/2



(Series Image-Reference Only)

GENERAL TOLERANCE		ANGLE TOLERANCE	
X.	±0.60	X.	±5°
.X	±0.38	.X	±3°
.XX	±0.25	.XX	±2°

PROJECTION	TITLE
	H:7.00mm SIP IC SOCKET (MACHINE PIN) PITCH 2.54mm
UNITS	mm
SHEET SIZE	A4
SERIES	DS1002-03 SERIES

ITEM	PART NAME	PART NO.	MATERILAS	FINISHED	DRAWING NO.	CUSTOMER
2	CONTACT		COPPER ALLOY	GOLD PLATED	DRAWING TYPE	CUSTOMER
1	HOUSING		THERMOPLASTIC	UL 94 V-0	SCALE	1:1 SHEET 1 OF 1
					DRAWING NO.	C-DS1002-03-XXXXX-B

晨翔电子有限公司  
CONNFLY CONNELY ELECTRONIC CO. LTD

## X-ON Electronics

Largest Supplier of Electrical and Electronic Components

*Click to view similar products for [Headers & Wire Housings](#) category:*

*Click to view products by [Connfly](#) manufacturer:*

Other Similar products are found below :

[0015917161](#) [0022155065](#) [57102-F02-18ULF](#) [58102-G61-06LF](#) [582553-1](#) [01.001.5753.1](#) [0050291907](#) [02.125.8002.8](#) [609-3404](#) [61062-3](#)  
[CSU011177004](#) [622-0430](#) [622-3653LF](#) [63453-116](#) [636-1030](#) [636-1427](#) [636-3427](#) [636-4007](#) [641938-9](#) [65495-038](#) [65692-001LF](#) [65781-018](#)  
[65781-047](#) [65817-010LF](#) [65817-015LF](#) [67095-007LF](#) [67601157](#) [68631-112](#) [699319-000](#) [70.362.1628.0](#) [70-4210](#) [70-4226B](#) [70-4853B](#) [707-](#)  
[5028](#) [71.350.2428.0](#) [733-134](#) [733-162](#) [760-3052](#) [MHR-64-VUAL](#) [80.063.4001.1](#) [800-90-001-10-001000](#) [801-43-002-10-013000](#)  
[801-43-006-10-002000](#) [803-43-024-10-001000](#) [803-93-012-10-001000](#) [8-1437020-4](#) [819-22-004-30-001101](#) [820-22-006-30-001101](#)  
[820-22-008-30-001101](#) [821-22-002-10-001101](#)