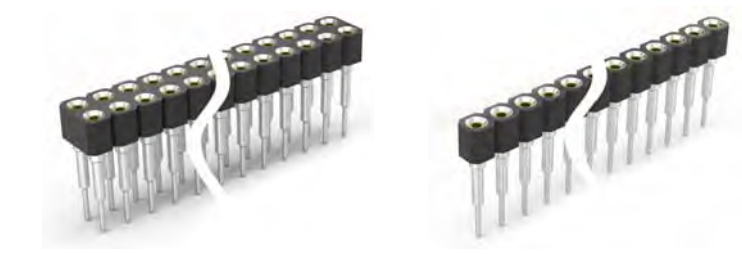
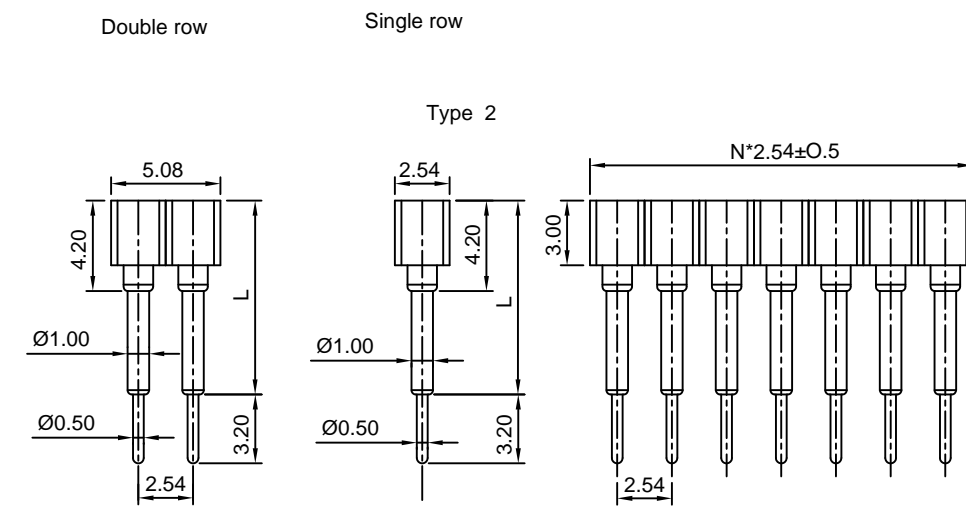
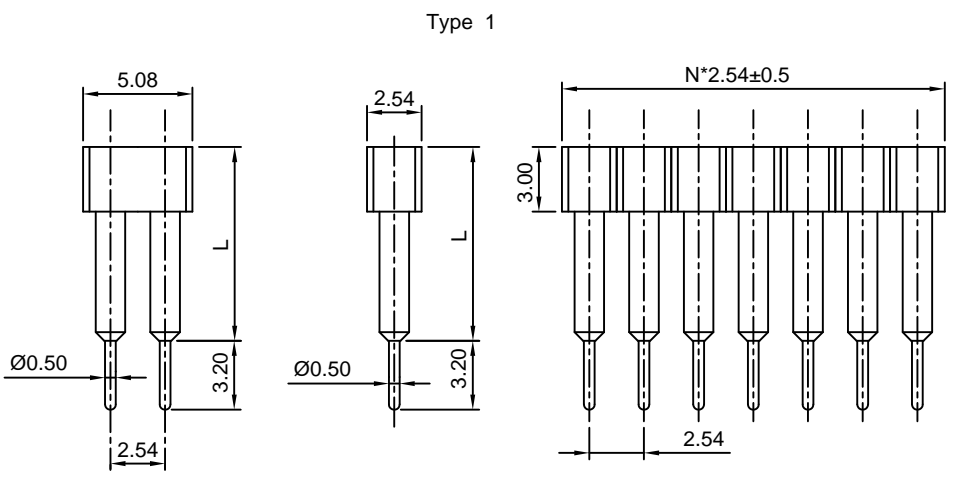


The information provided herein is from CONNELY Electronic Co., Ltd. and is confidential. Any disclosure to a party other than the recipient is prohibited. The intellectual properties and its rights contained herein, including but not limited to, trademarks, patents, copyrights, trade secrets, and technical know-how, are owned exclusively by CONNELY or its affiliates. Unauthorized use or reproduction of any part of this document is strictly prohibited. CONNELY may enforce its intellectual property rights at its own discretion, failures or delays to exercise such rights does not constitute a waiver of such rights.

REV.	DESCRIPTION	DRAWN	CHECKED	APPROVED
A	NEW RELEASE	LL 07/01/06'		LJC 07/01/06'
B	DRAWING UPDATE	JLZ 11/06/17'		LJC 11/06/17'
C	DRAWING UPDATE	JLZ 07/21/18'		



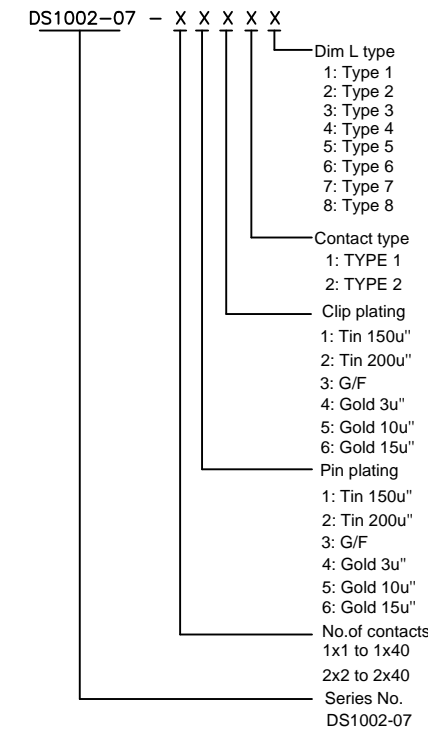
(Series Image-Reference Only)

NOTES:

- Specifications:
  - 1.1 Current rating:3A max.
  - 1.2 Contact resistance:20mΩ max.
  - 1.3 Insulation resistance:1000MΩ min at V=100V.
  - 1.4 Operating voltage:60V AC/DC.
  - 1.5 Application Insert Pin: Ø0.381-Ø0.635mm.
- Product number code:

Table A

Type	Dim (L)
1	6.00
2	7.00
3	8.00
4	9.00
5	10.00
6	11.00
7	12.00
8	14.60



GENERAL TOLERANCE		ANGLE TOLERANCE		PROJECTION		TITLE	SIP IC SOCKET PITCH 2.54mm	
X.	±0.60	X.	±5°	UNITS	mm	MATING PIN Ø0.5		
.X	±0.38	.X	±3°	SHEET SIZE	A4	SERIES	DS1002-07 SERIES	
.XX	±0.25	.XX	±2°	<b>晨翔电子有限公司</b> <b>CONNFLY CONNELY ELECTRONIC CO. LTD</b>				
DRAWING TYPE		CUSTOMER						
SCALE	1:1	SHEET	1 OF 1					
DRAWING NO.		C-DS1002-07-XXXXX-C						

## X-ON Electronics

Largest Supplier of Electrical and Electronic Components

*Click to view similar products for [Headers & Wire Housings](#) category:*

*Click to view products by [Connfly](#) manufacturer:*

Other Similar products are found below :

[0015917161](#) [0022155065](#) [57102-F02-18ULF](#) [58102-G61-06LF](#) [582553-1](#) [01.001.5753.1](#) [0050291907](#) [02.125.8002.8](#) [609-3404](#) [61062-3](#)  
[CSU011177004](#) [622-0430](#) [622-3653LF](#) [63453-116](#) [636-1030](#) [636-1427](#) [636-3427](#) [636-4007](#) [641938-9](#) [65495-038](#) [65692-001LF](#) [65781-018](#)  
[65781-047](#) [65817-010LF](#) [65817-015LF](#) [67095-007LF](#) [67601157](#) [68631-112](#) [68645-018](#) [699319-000](#) [70.362.1628.0](#) [70-4210](#) [70-4226B](#) [70-](#)  
[4853B](#) [71.350.2428.0](#) [733-134](#) [733-162](#) [760-3052](#) [MHR-64-VUAL](#) [80.063.4001.1](#) [800-90-001-10-001000](#) [801-43-002-10-013000](#)  
[801-43-006-10-002000](#) [803-43-024-10-001000](#) [803-93-012-10-001000](#) [8-1437020-4](#) [819-22-004-30-001101](#) [820-22-006-30-001101](#)  
[820-22-008-30-001101](#) [821-22-002-10-001101](#)