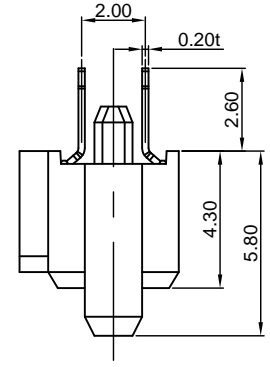
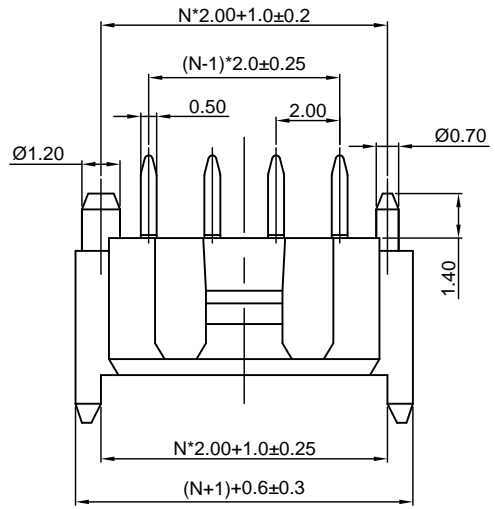


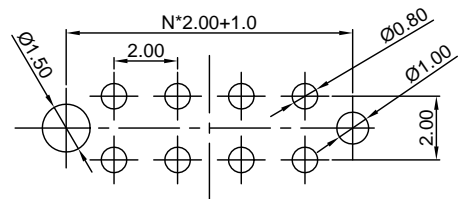
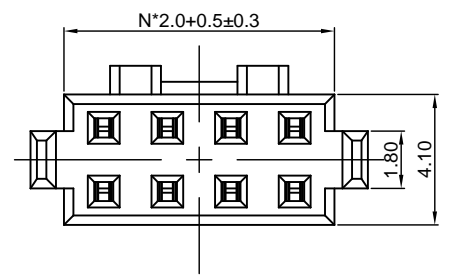
Dept	
Qty	
DC	1
ED	1
IE	1
ISO	1
PD	1
R&D	1
SD	1
QA	1
QC	1
QE	1

The information provided herein is from CONNELY Electronic Co., Ltd. and is confidential. Any disclosure to a party other than the recipient is prohibited. The intellectual properties and its rights contained herein, including but not limited to, trademarks, patents, copyrights, trade secrets, and technical know-how, are owned exclusively by CONNELY or its affiliates. Unauthorized use or reproduction of any part of this document is strictly prohibited. CONNELY may enforce its intellectual property rights at its own discretion, failures or delays to exercise such rights does not constitute a waiver of such rights.

REV.	DESCRIPTION	DRAWN	CHECKED	APPROVED
A	NEW RELEASE	JLZ 12/13/17'	HZW 12/13/17'	LJC 12/13/17'
B	DRAWING UPDATE	JLZ 08/27/18'		



N=No. of contacts/2



Recommend PCB layout
(Tolerance:±0.05)



(Series Image-Reference Only)

NOTES:

- Electrical characteristics:
 - Contact resistance: 30mΩ Max.
 - Dielectric withstanding voltage: 500V AC(rms) for 1 minute.
 - Insulation resistance: 1000MΩ Min.
 - Current rating:2A.
- Environment characteristics:
 - Temperature: -25°C~+85°C.
- Materials
 - Contact material: Copper alloy, gold over nickel plated.
 - Insulator material: Nylon, Black.
- Product number code:

DS1014-01- X X X X X 0 X X

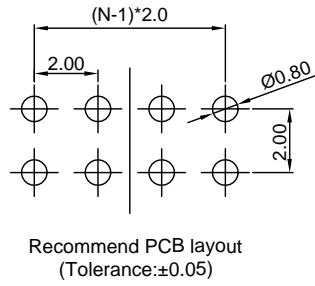
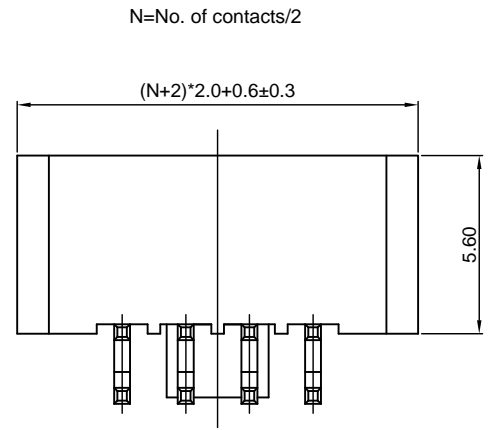
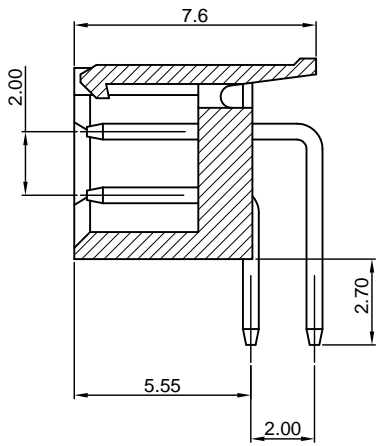
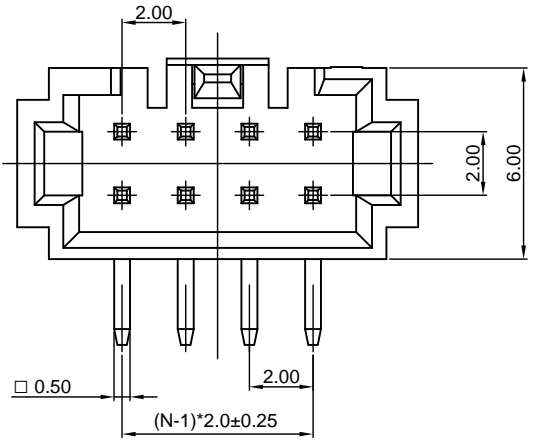
- X X X X X 0 X X
- Plating Level
- 3A:Level 3A
- B:Level B
- Packing Type
- T:Tray
- Housing Color
- B:Black
- Contact Plating
- 8:Gold Flash
- Mounting Type
- V:V/T Type
- Connector Type
- S:Socket
- No. of contacts
- 2x4~2x15

GENERAL TOLERANCE		ANGLE TOLERANCE		PROJECTION		TITLE	
X.	±0.60	X.	±5°	UNITS	mm	2.00mm 180° Female DIP Type	
.X	±0.38	.X	±3°	SHEET SIZE	A4	SERIES	DS1014-01 SERIES
.XX	±0.25	.XX	±2°	晨翔电子有限公司 CONNFLY CONNELY ELECTRONIC CO. LTD			
DRAWING TYPE		CUSTOMER					
SCALE	1:1	SHEET	1 OF 2				
DRAWING NO.		C-DS1014-01-XXXXX0XX-B					

Dept	
Qty	
DC	1
ED	1
IE	1
ISO	1
PD	1
R&D	1
SD	1
QA	1
QC	1
QE	1

The information provided herein is from CONNELY Electronic Co., Ltd. and is confidential. Any disclosure to a party other than the recipient is prohibited. The intellectual properties and its rights contained herein, including but not limited to, trademarks, patents, copyrights, trade secrets, and technical know-how, are owned exclusively by CONNELY or its affiliates. Unauthorized use or reproduction of any part of this document is strictly prohibited. CONNELY may enforce its intellectual property rights at its own discretion, failures or delays to exercise such rights does not constitute a waiver of such rights.

REV.	DESCRIPTION	DRAWN	CHECKED	APPROVED
A	NEW RELEASE	JLZ 12/13/17'	HZW 12/13/17'	LJC 12/13/17'
B	DRAWING UPDATE	JLZ 08/27/18'		



(Series Image-Reference Only)


NOTES:

- Electrical characteristics:
 - Contact resistance: 30mΩ Max.
 - Dielectric withstanding voltage: 500V AC(rms) for 1 minute.
 - Insulation resistance: 1000MΩ Min.
 - Current rating:2A.
- Environment characteristics:
 - Temperature: -25°C~+85°C.
- Materials
 - Contact material: Copper alloy, gold over nickel plated.
 - Insulator material: Nylon, Black.
- Product number code:

DS1014-01- X X X X X 0 X X

- Plating Level
3A:Level 3A
B:Level B
- Packing Type
P:Playbag
- Housing Color
B:Black
- Contact Plating
8:Gold Flash
- Mounting Type
R:R/A Type
- Connector Type
P:Plug
- No. of contacts
2x4~2x15

GENERAL TOLERANCE		ANGLE TOLERANCE		PROJECTION		TITLE	2.00mm Box Header R/A Type	
X.	±0.60	X.	±5°	UNITS	mm			
.X	±0.38	.X	±3°	SHEET SIZE	A4	SERIES	DS1014-01 SERIES	
.XX	±0.25	.XX	±2°					
DRAWING TYPE		CUSTOMER						
SCALE		1:1	SHEET	2 OF 2				
DRAWING NO.		C-DS1014-01-XXXXX0XX-B						



晨翔电子有限公司
CONNFLY CONNFLY ELECTRONIC CO. LTD

X-ON Electronics

Largest Supplier of Electrical and Electronic Components

Click to view similar products for [Headers & Wire Housings](#) category:

Click to view products by [Connfly](#) manufacturer:

Other Similar products are found below :

[0015917161](#) [0022155065](#) [57102-F02-18ULF](#) [58102-G61-06LF](#) [582553-1](#) [01.001.5753.1](#) [0050291907](#) [02.125.8002.8](#) [609-3404](#) [61062-3](#)
[CSU011177004](#) [622-0430](#) [622-3653LF](#) [63453-116](#) [636-1030](#) [636-1427](#) [636-3427](#) [636-4007](#) [641938-9](#) [65495-038](#) [65692-001LF](#) [65781-018](#)
[65781-047](#) [65817-010LF](#) [65817-015LF](#) [67095-007LF](#) [67601157](#) [68631-112](#) [68645-018](#) [699319-000](#) [70.362.1628.0](#) [70-4210](#) [70-4226B](#) [70-](#)
[4853B](#) [71.350.2428.0](#) [733-134](#) [733-162](#) [760-3052](#) [MHR-64-VUAL](#) [80.063.4001.1](#) [800-90-001-10-001000](#) [801-43-002-10-013000](#)
[801-43-006-10-002000](#) [803-43-024-10-001000](#) [803-93-012-10-001000](#) [8-1437020-4](#) [819-22-004-30-001101](#) [820-22-006-30-001101](#)
[820-22-008-30-001101](#) [821-22-002-10-001101](#)