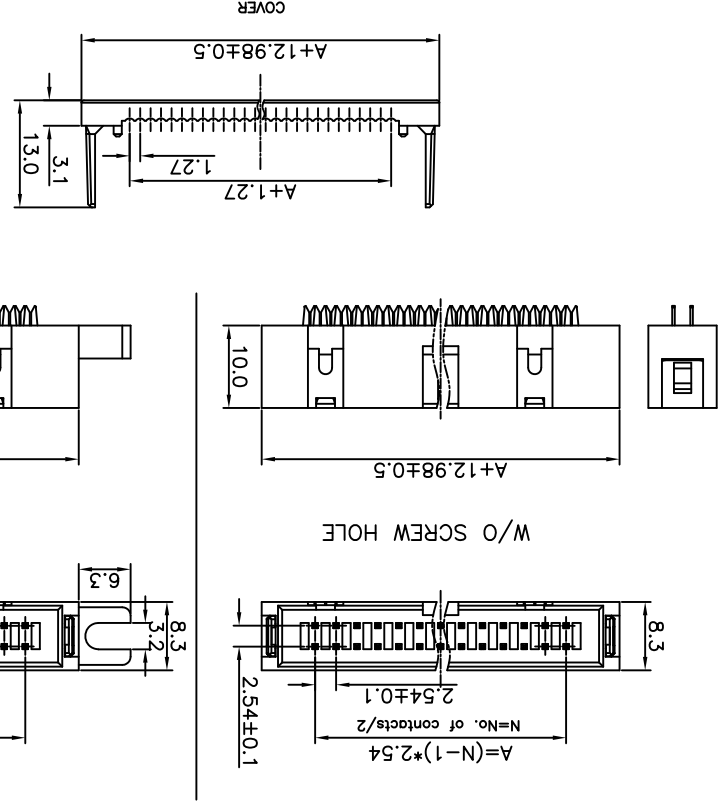
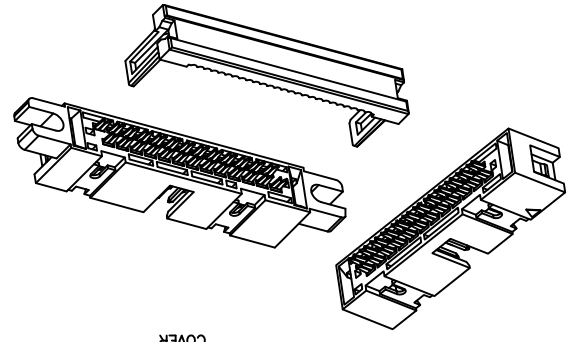
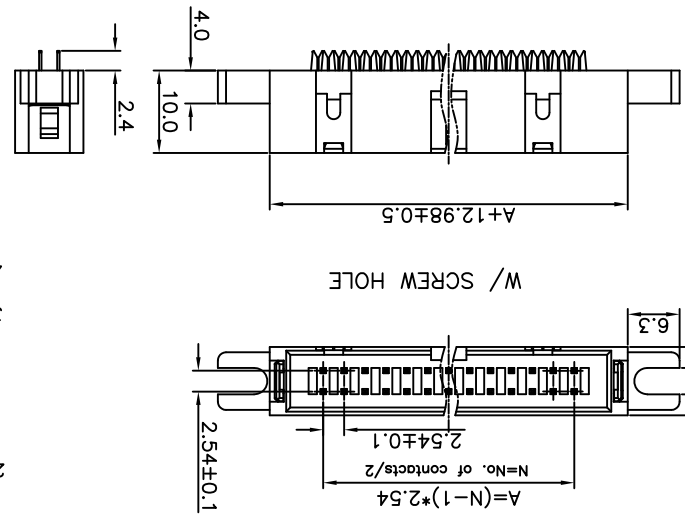


The information provided herein is from CONNELY Electronic Co., Ltd. and is confidential. Any disclosure to a party other than the recipient is prohibited. The intellectual properties and its rights contained herein, including but not limited to, trademarks, patents, copyrights, trade secrets, and technical know-how, are owned exclusively by CONNELY or its affiliates. Unauthorized use of its use in any format or manner, CONNELY may enforce its intellectual property rights at its own discretion. Failures or delays to exercise such rights does not constitute a waiver of such rights.



DRAWING NO. C-DS1015-XXXXX-C	
SCALE 1:1	SHEET 1 OF 1
DRAWING TYPE CUSTOMER	
GENERAL TOLERANCE	ANGLE TOLERANCE
X. ±0.60	X. ±5.
.X ±0.38	.X ±3.
.XX ±0.25	.XX ±2.



- NOTES:
- MATERIAL
 - INSULATOR: THERMOPLASTIC (UL 94V-0).
 - CONTACT: COPPER ALLOY.
 - SPECIFICATION
 - TEMPERATURE RANGE: -40°C~+105°C.
 - CONTACT RESISTANCE: 20mΩ max.
 - INSULATION RESISTANCE: 1000MΩ min.
 - DIELECTRIC WITHSTANDING VOLTAGE: AC 500V PER MINUTE.
 - PART NUMBER: DS1015
 - PRODUCT NUMBER CODE: DS1015 - X X X X X
 - HOUSING COLOR: A: GRAY, B: BLACK
 - CONTACT PLATING: 2: GOLD FLASH + NICKEL
 - STRAIN RELIEF: N: W/O
 - SCREW HOLE: M: W/O
 - NO. OF CONTACTS: 30 34 40 50 60 64

REV.	DESCRIPTION	DRAWN	CHECKED	APPROVED
A	NEW RELEASE	LC 09/11/06'		
B	Arrangement drawing	JLZ 12/23/15'	HZW 12/23/15'	LJC 12/23/15'
C	DRAWING UPDATE	JLZ 08/27/18'		

TITLE	PROJECTION	SHEET SIZE	SERIES
IDC BOX HEADER MATES WITH PITCH 1.27mm FLAT CABLE		A4	DS1015 SERIES
UNITS		mm	

晨翔电子有限公司
CONNELY CONNELY ELECTRONIC CO., LTD

H
G
F
E
D
C
B
A

X-ON Electronics

Largest Supplier of Electrical and Electronic Components

Click to view similar products for [Headers & Wire Housings](#) category:

Click to view products by [Connfly](#) manufacturer:

Other Similar products are found below :

[95000-104TRLF](#) [10135584-644402LF](#) [DF62W-EP2022PCA](#) [95000-106TRLF](#) [DF62W-2022SCA](#) [DF62W-EP2022PC](#) [2203348](#) [DF62W-2022SC](#) [1084018](#) [1029039](#) [1084017](#) [802-10-012-10-002000](#) [1112640](#) [1112639](#) [891-007-9SS-BST1T](#) [000-34000](#) [0008550134](#) [0009482033](#) [0009507031](#) [57102-F02-18ULF](#) [57102-S06-03LF](#) [57202-S52-04LF](#) [PCN6-15S-2.5E](#) [0039019024](#) [58102-G61-06LF](#) [582553-1](#) [0009485154](#) [0009508121](#) [0022285053](#) [0050291907](#) [018731A](#) [LY20-4P-DT1-P1E-BR](#) [02.125.8002.8](#) [60101931](#) [60598-1 \(Cut Strip\)](#) [M1625-3R/100](#) [61062-3](#) [61082-181009](#) [CSU011177004](#) [636-1427](#) [638009-1](#) [641938-9](#) [641991-4](#) [644168-1](#) [644827-2](#) [647662-1](#) [65039-019ELF](#) [65692-001LF](#) [65781-018](#) [65781-047](#)