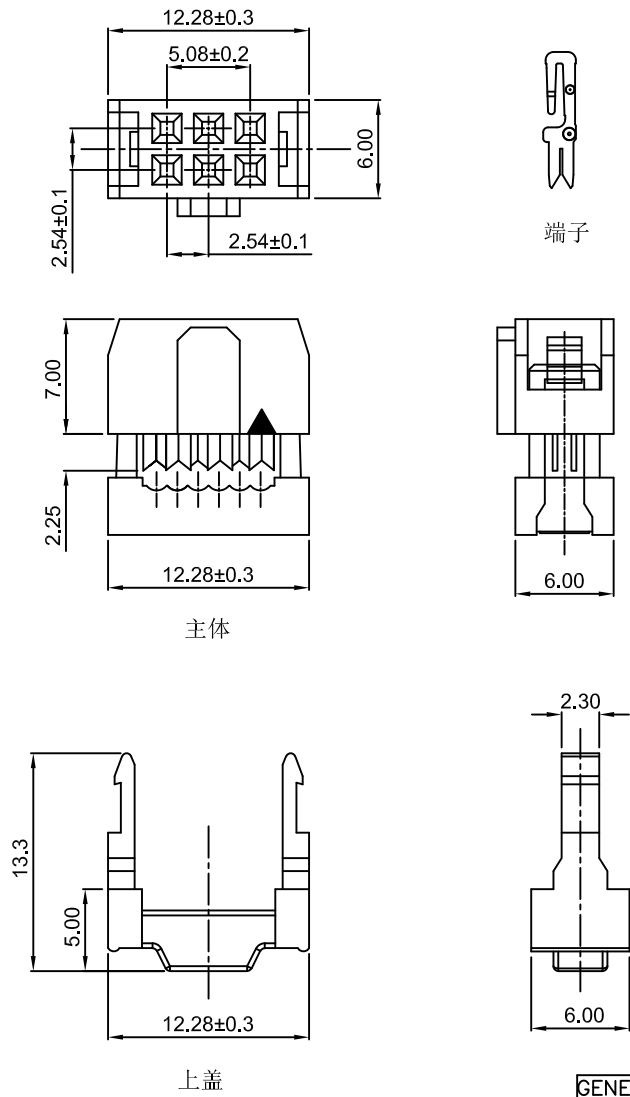


1	2	3	4	5	6	7	8	
Dept	晨翔2.54mm FC三件式插头, 6PIN, 有上盖, 黑色胶芯, 半金镍端子			REV.	DESCRIPTION	DRAWN	CHECKED	APPROVED
Qty	1			A	NEW RELEASE	JLZ 12/01/21'		
DC	1							
ED	1							
IE	1							
ISO	1							
PD	1							
R&D	1							
SD	1							
QA	1							
QC	1							
QF	1							
晨翔料号: DS1016-06MA2BB								

The information provided herein is from CONNELY Electronic Co., Ltd. and is confidential. Any disclosure to a party other than the recipient is prohibited. The intellectual properties and its rights contained herein, including but not limited to, trademarks, patents, copyrights, trade secrets, and technical know-how, are owned exclusively by CONNELY or its affiliates. Unauthorized use of this information in any format or manner. CONNELY may enforce its intellectual property rights at its own discretion; failures or delays to exercise such rights does not constitute a waiver of such rights.



- 备注:
- 电性说明:
    - 1.1 接触阻抗: 20毫欧最大
    - 1.2 耐压: 500伏交流电一分钟
    - 1.3 绝缘阻抗: 1000兆欧最小
    - 1.4 额定电流: 3安
  - 环境特性:
    - 2.1 工作温度: -40~+105° C
  - 材料:
    - 3.1 端子: 黄铜, 接触区镍底镀金
    - 3.2 胶芯: PBT, 黑色, 阻燃

GENERAL TOLERANCE		ANGLE TOLERANCE		PROJECTION		TITLE	I.D.C SOCKET PITCH 2.54mm	
X.	±0.60	X.	±5°	UNITS	mm	SERIES	DS1016 SERIES	
.X	±0.38	.X	±3°	SHEET SIZE	A4			
.XX	±0.25	.XX	±2°					
DRAWING TYPE		CUSTOMER			晨翔电子有限公司 <b>CONNELY CONNELY ELECTRONIC CO. LTD</b>			
SCALE		1:1	SHEET 1 OF 1					
DRAWING NO.		C-DS1016-XXXXX-A						

## X-ON Electronics

Largest Supplier of Electrical and Electronic Components

*Click to view similar products for [Headers & Wire Housings](#) category:*

*Click to view products by [Connfly](#) manufacturer:*

Other Similar products are found below :

[0015917161](#) [0022155065](#) [57102-F02-18ULF](#) [58102-G61-06LF](#) [582553-1](#) [01.001.5753.1](#) [0050291907](#) [02.125.8002.8](#) [609-3404](#) [61062-3](#)  
[CSU011177004](#) [622-0430](#) [622-3653LF](#) [63453-116](#) [636-1030](#) [636-1427](#) [636-3427](#) [636-4007](#) [641938-9](#) [65495-038](#) [65692-001LF](#) [65781-018](#)  
[65781-047](#) [65817-010LF](#) [65817-015LF](#) [67095-007LF](#) [67601157](#) [68631-112](#) [68645-018](#) [699319-000](#) [70.362.1628.0](#) [70-4210](#) [70-4226B](#) [70-](#)  
[4853B](#) [71.350.2428.0](#) [733-134](#) [733-162](#) [MHR-64-VUAL](#) [80.063.4001.1](#) [800-90-001-10-001000](#) [801-43-002-10-013000](#) [801-43-006-10-](#)  
[002000](#) [803-43-024-10-001000](#) [803-93-012-10-001000](#) [8-1437020-4](#) [819-22-004-30-001101](#) [820-22-006-30-001101](#) [820-22-008-30-001101](#)  
[821-22-002-10-001101](#) [821-22-003-10-002101](#)