

The information provided herein is from CONNPLY Electronic Co., Ltd. and is confidential. Any disclosure to a party other than the recipient is prohibited. The intellectual properties and its rights of CONNPLY Electronic Co., Ltd. are reserved. All rights reserved. CONNPLY Electronic Co., Ltd. does not constitute authorization of its use or modification is strictly prohibited without prior written consent from CONNPLY. All intellectual properties provided herein are for reference purposes only and does not constitute authorization of its use in any format or manner. CONNPLY may enforce its intellectual property rights at its own discretion; failures or delays to exercise such rights does not constitute a waiver of such rights.

1 2 3 4 5 6 7 8

REV.	DESCRIPTION	DRAWN	CHECKED	APPROVED
A	NEW RELEASE	YCH 10/22/09'		LJC 10/22/09'
B	DRAWING UPDATE	JLZ 02/10/15'	HZW 02/10/15'	LJC 02/10/15'
C	DRAWING UPDATE	JLZ 12/26/18'		

Notes:

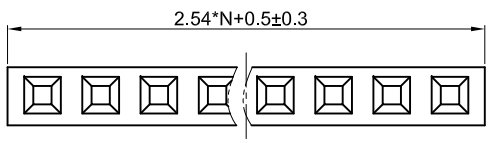
Specifications:

- Contact Resistance: 20mΩ Max.
- Insulation Resistance: 1000MΩ Min.
- Dielectric Withstanding Voltage: 600V AC(rms) For 1 Minute.
- Current Rating:3A.
- Voltage Rating:250V AC rms.
- Temperature: -40°C~+105°C.

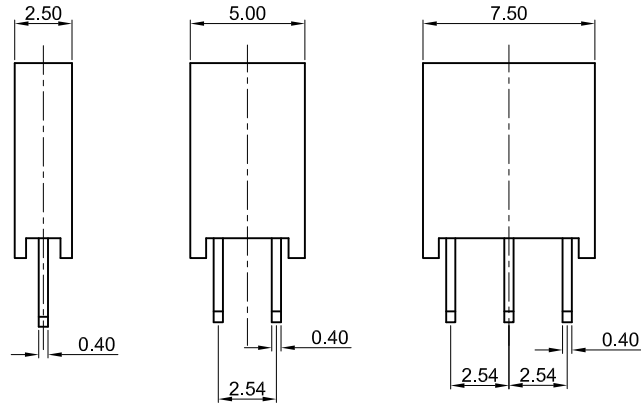
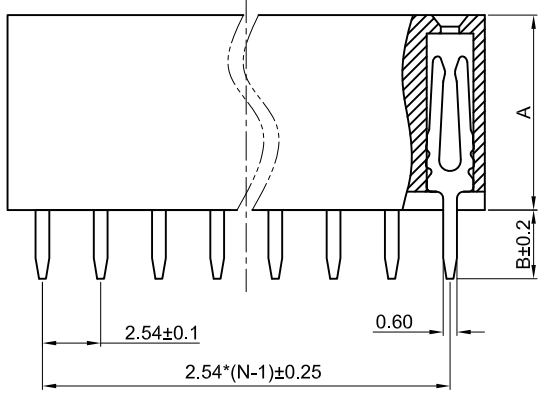
Materials:

- Contact Material: Copper Alloy.
- Contact Plating: Gold Plating Over Nickel.
- Insulator Materials: PBT,Black,UL94-V0.

Product Number Code:



DIM A	DIM B
8.5	3.0
5.0	3.3



Single row N=No. OF CONTACTS  
 Double row N=No. OF CONTACTS/2  
 Triplex row N=No. OF CONTACTS/3

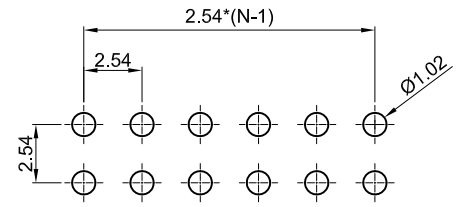
DS1023- X X X X

PROFILE HEIGHT(DIM A)  
 1: 8.5mm  
 2: 5.0mm

CONTACT PLATING  
 F1: FULL GOLD FLASH  
 2: NICKEL + GOLD FLASH

MOUNTIING TYPE  
 S: Straight TYPE

No. OF CONTACTS  
 1x2-1x40  
 2x2-2x40  
 3x3-3x40



RECOMMEND PCB LAYOUT  
(TOLERANCE=±0.05)

GENERAL TOLERANCE		ANGLE TOLERANCE		PROJECTION		TITLE	2.54mm Female Header V/T Type
X.	±0.60	X.	±5°	UNITS	mm	SHEET SIZE	A4
.X	±0.38	.X	±3°	SHEET SIZE	A4	SERIES	DS1023 SERIES
.XX	±0.25	.XX	±2°	晨翔电子有限公司 <b>CONNPLY CONNPLY ELECTRONIC CO. LTD</b>			
DRAWING TYPE		CUSTOMER					
SCALE		1:1	SHEET 1 OF 1				
DRAWING NO.		C-DS1023-XXXX-C					

1 2 3 4 5 6 7 8

## X-ON Electronics

Largest Supplier of Electrical and Electronic Components

*Click to view similar products for [Headers & Wire Housings](#) category:*

*Click to view products by [Connfly](#) manufacturer:*

Other Similar products are found below :

[57102-F02-18ULF](#) [58102-G61-06LF](#) [0009485154](#) [009176003701906](#) [0050291907](#) [02.125.8002.8](#) [609-3404](#) [61062-3](#) [622-0430](#) [622-3653LF](#)  
[63453-116](#) [636-1030](#) [636-1427](#) [636-3427](#) [636-4007](#) [641938-9](#) [644827-2](#) [65495-038](#) [65692-001LF](#) [65781-018](#) [65781-047](#) [65817-010LF](#)  
[65817-015LF](#) [66207-023LF](#) [67016-026LF](#) [67095-007LF](#) [68631-112](#) [68645-018](#) [68648-049](#) [699319-000](#) [70.362.1628.0](#) [70-4210](#) [70-4226B](#)  
[70-4853B](#) [707-5020](#) [707-5028](#) [71.350.2428.0](#) [71961-016LF](#) [733-134](#) [754199-000](#) [760-3052](#) [787-8014-00](#) [FCN-367T-T012/H](#) [80.063.4001.1](#)  
[800-90-001-10-001000](#) [800-90-010-10-002000](#) [801-43-002-10-013000](#) [801-43-006-10-002000](#) [803-41-018-10-001000](#) [803-43-014-20-](#)  
[001000](#)