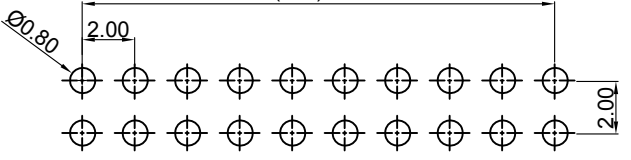
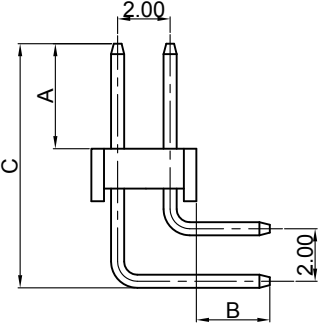
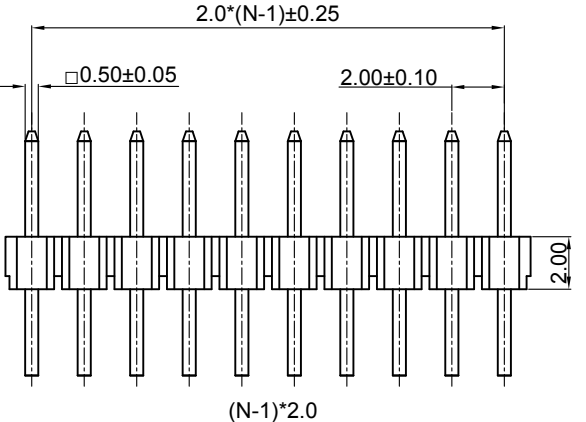
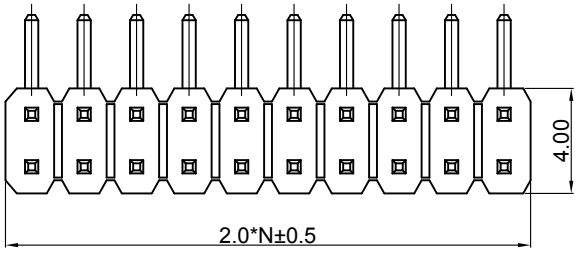


| | |
|------|---|
| Dept | |
| Qty | |
| DC | 1 |
| ED | 1 |
| IE | 1 |
| ISO | 1 |
| PD | 1 |
| R&D | 1 |
| SD | 1 |
| QA | 1 |
| QC | 1 |
| QF | 1 |

A&B&C: Customer length available
N: Number of contacts/2



Recommend PCB layout
(Tolerance:±0.05)



(Series Image-Reference Only)

| REV. | DESCRIPTION | DRAWN | CHECKED | APPROVED |
|------|----------------|---------------|---------|---------------|
| A | NEW RELEASE | LJH 05/08/05' | | LJC 05/08/05' |
| E | DRAWING UPDATE | JLZ 06/18/19' | | |
| | | | | |

Notes:
Specifications:
1. Contact Resistance: 20mΩ Max.
2. Insulation Resistance: 1000MΩ Min.
3. Dielectric Withstanding Voltage: 500V AC(rms) For 1 Minute.
4. Current Rating:1.5A.
5. Temperature: -40°C~+105°C.
Materials:
1. Contact Material: Copper Alloy.
2. Contact Plating: Gold Plating Over Nickel.
3. Insulator Material: PA-9T,Black,UL94-V0.
Product Number Code:

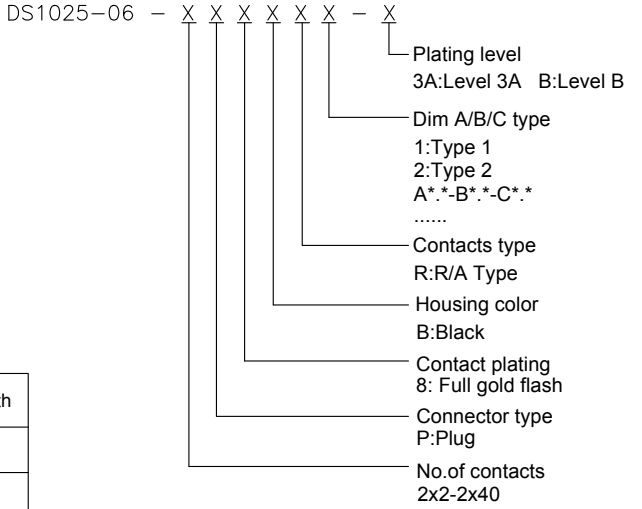


Table A

| Type | Dimension | | | Pin Length |
|------|-----------|------|-------|----------------|
| | A | B | C | |
| 1 | 4.00 | 2.80 | 9.30 | 10.50 14.50 |
| 2 | 6.00 | 2.80 | 11.30 | 12.50 16.50 |
| 3 | 2.42 | 5.00 | 12.70 | 16.00 20.00 |
| 4 | 3.70 | 3.00 | 9.00 | 10.50 14.50 |
| 5 | 3.20 | 3.00 | 9.20 | 10.50 14.50 |
| 6 | 8.00 | 2.80 | 13.30 | 14.50 18.50 |
| 7 | 3.50 | 3.00 | 9.25 | 10.50 14.50 |
| 8 | 4.00 | 4.00 | 9.30 | 11.70 15.70 |

| | | | | | | | | |
|-------------------|-------|-----------------------|-----|---|----|--------|--|--|
| GENERAL TOLERANCE | | ANGLE TOLERANCE | | PROJECTION | | TITLE | 2.00mm Pin Header Double Row R/A Type | |
| X. | ±0.60 | X. | ±5° | UNITS | mm | SERIES | DS1025-06 SERIES | |
| .X | ±0.38 | .X | ±3° | | | | | |
| .XX | ±0.25 | .XX | ±2° | | | | | |
| DRAWING TYPE | | CUSTOMER | | 晨翔电子有限公司 CONFLY CONNFLY ELECTRONIC CO. LTD | | | | |
| SCALE | | 1:1 | | | | | | |
| DRAWING NO. | | C-DS1025-06-XXXXX-X-E | | | | | | |
| | | SHEET | | 1 OF 1 | | | | |

The information provided herein is from CONNLY Electronic Co., Ltd. and is confidential. Any disclosure to a party other than the recipient is prohibited. The intellectual properties and its rights contained herein, including but not limited to, trademarks, patents, copyrights, trade secrets, and technical know-how, are owned exclusively by CONNLY or its affiliates. Unauthorized use or reproduction of any part of this document is strictly prohibited. CONNLY may enforce its intellectual property rights at its own discretion, failures or delays to exercise such rights does not constitute a waiver of such rights.

X-ON Electronics

Largest Supplier of Electrical and Electronic Components

Click to view similar products for [Headers & Wire Housings](#) category:

Click to view products by [Connfly](#) manufacturer:

Other Similar products are found below :

[57102-F02-18ULF](#) [58102-G61-06LF](#) [582553-1](#) [009176003701906](#) [01.001.5753.1](#) [0050291907](#) [02.125.8002.8](#) [609-3404](#) [61062-3](#)
[CSU011177004](#) [622-0430](#) [622-3653LF](#) [63453-116](#) [636-1030](#) [636-1427](#) [636-3427](#) [636-4007](#) [641938-9](#) [644827-2](#) [65495-038](#) [65692-001LF](#)
[65781-018](#) [65781-047](#) [65817-010LF](#) [65817-015LF](#) [66207-023LF](#) [67095-007LF](#) [67601157](#) [68631-112](#) [68645-018](#) [699319-000](#)
[M90C108951C](#) [70.362.1628.0](#) [70-4210](#) [70-4226B](#) [70-4853B](#) [707-5028](#) [71.350.2428.0](#) [71961-016LF](#) [733-134](#) [733-162](#) [754199-000](#) [760-](#)
[3052](#) [80.063.4001.1](#) [800-90-001-10-001000](#) [800-90-010-10-002000](#) [801-43-002-10-013000](#) [801-43-006-10-002000](#) [803-41-018-10-001000](#)
[803-43-024-10-001000](#)