

REV.	DESCRIPTION	DRAWN	CHECKED	APPROVED
A	NEW RELEASE	LJH 02/21/08'	~	

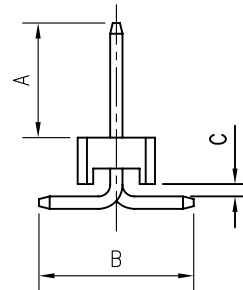
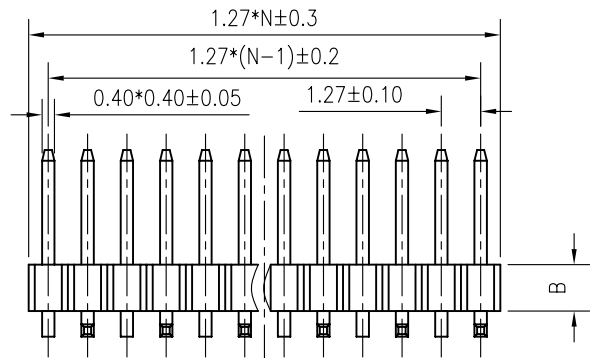
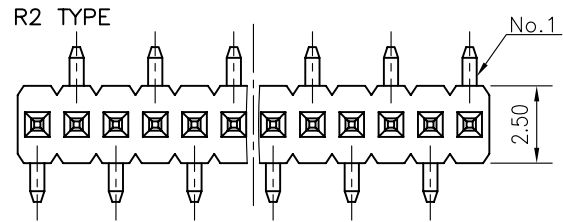
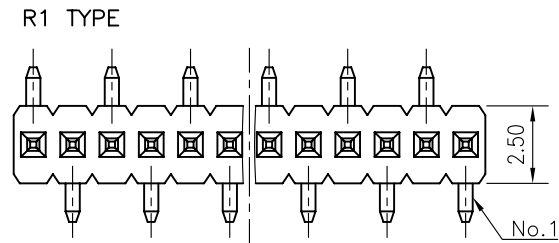
NOTES:

- MATERIAL
 - INSULATOR:THERMOPLASTIC(UL 94V-0).
 - CONTACT MATERIAL:COPPER ALLOY
- SPECIFICATION
 - CURRENT RATING:1.0 Amp.
 - INSULATION RESISTANCE:500MΩ Min.
 - DIELECTRIC WITHSTANDING:300VAC.
 - CONTACT RESISTANCE:50mΩ Max.
 - OPERATING TEMPERATURE:-40°C TO+105°C.
- PART NUMBER: DS1031-03
- PRODUCT NUMBER CODE:

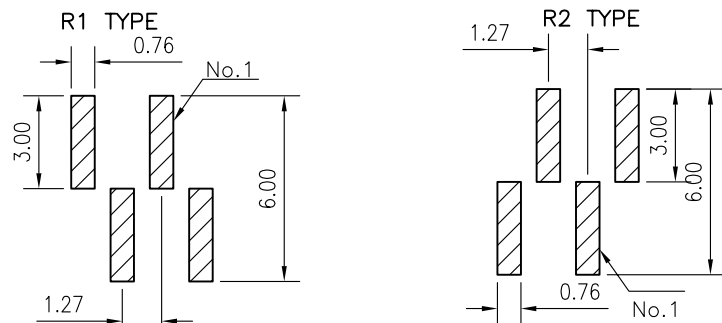
DS1031-03 - X X X X X X X X

- CONTACT BEND TYPE
 - 1: R1 TYPE
 - 2: R2 TYPE
- DIM.A B C TYPE
 - 1: TYPE 1
- HOUSING HEIGHT(DIM. B)
 - 1: 1.00mm
 - 2: 1.50mm
 - 3: 2.00mm
- MOUNTING TYPE
 - S: SMT TYPE
- HOUSING COLOR
 - B:BLACK
- CONTACT PLATING
 - 8: FULL GOLD FLASH
- CONNECTOR TYPE
 - P:PLUG
- No.OF CONTACTS
 - 1*1-1*40
- SERIES No.
 - DS1031-03

TYPE	DIM A	DIM B	DIM C
1	3.70	5.00	0.40
2			
3			
4			
5			
6			
7			



N:No.OF CONTACTS



RECOMMEND PCB LAYOUT(TOLERANCE=±0.05)

GENERAL TOLERANCE		ANGLE TOLERANCE		PROJECTION		TITLE	1.27mm PITCH PIN HEADER
X	±0.60	X	±5'	UNITS	mm	SINGLE ROW S.M.T TYPE	
.X	±0.38	.X	±3'	SHEET SIZE	A4	SERIES	DS1031-03 SERIES
.XX	±0.25	.XX	±2'				
DRAWING TYPE		CUSTOMER					
SCALE		1:1 SHEET 1 OF 1					
DRAWING NO.		C-DS1031-03-XXXXXXX		CONNPLY ELECTRONIC CO. LTD			

晨翔电子有限公司
CONNPLY ELECTRONIC CO. LTD

X-ON Electronics

Largest Supplier of Electrical and Electronic Components

Click to view similar products for [Headers & Wire Housings](#) category:

Click to view products by [Connfly](#) manufacturer:

Other Similar products are found below :

[0015917161](#) [0022155065](#) [57102-F02-18ULF](#) [58102-G61-06LF](#) [582553-1](#) [01.001.5753.1](#) [0050291907](#) [02.125.8002.8](#) [609-3404](#) [61062-3](#)
[CSU011177004](#) [622-0430](#) [622-3653LF](#) [63453-116](#) [636-1030](#) [636-1427](#) [636-3427](#) [636-4007](#) [641938-9](#) [65495-038](#) [65692-001LF](#) [65781-018](#)
[65781-047](#) [65817-010LF](#) [65817-015LF](#) [67095-007LF](#) [67601157](#) [68631-112](#) [68645-018](#) [699319-000](#) [70.362.1628.0](#) [70-4210](#) [70-4226B](#) [70-](#)
[4853B](#) [707-5028](#) [71.350.2428.0](#) [733-134](#) [733-162](#) [760-3052](#) [MHR-64-VUAL](#) [80.063.4001.1](#) [800-90-001-10-001000](#) [801-43-002-10-013000](#)
[801-43-006-10-002000](#) [803-43-024-10-001000](#) [803-93-012-10-001000](#) [8-1437020-4](#) [819-22-004-30-001101](#) [820-22-006-30-001101](#)
[820-22-008-30-001101](#)